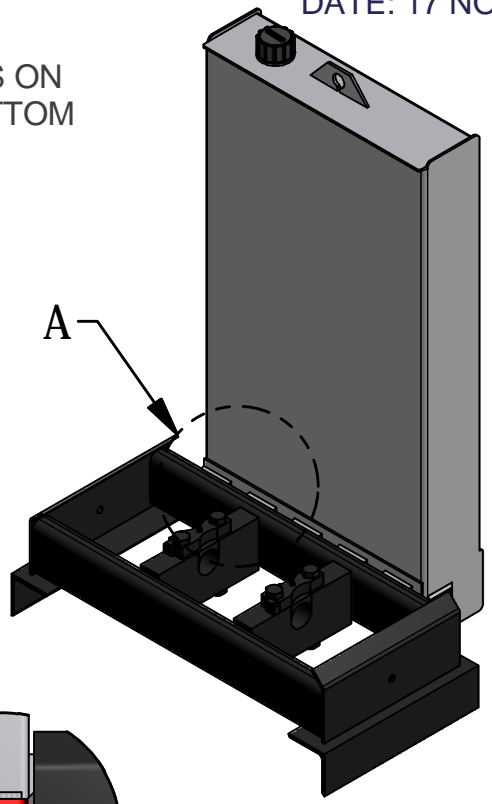
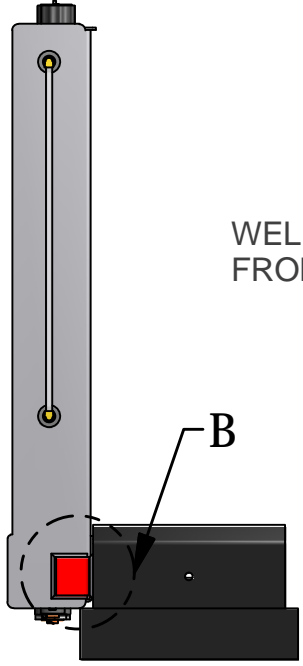


STITCH WELDS ON TOP AND BOTTOM OF CRADLE

DETAIL A

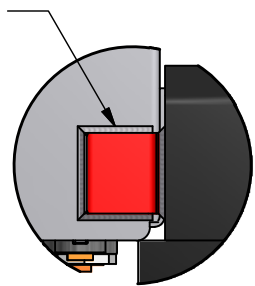


A

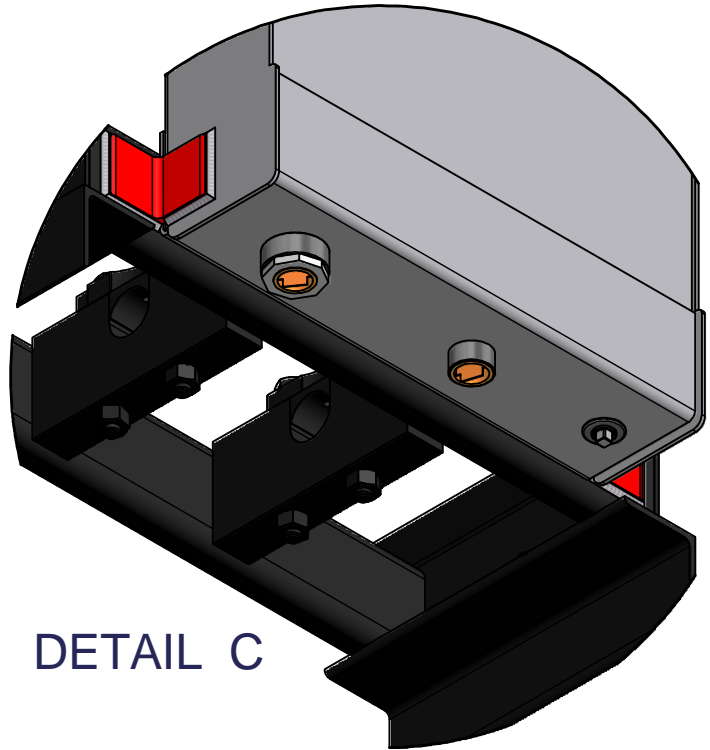


B

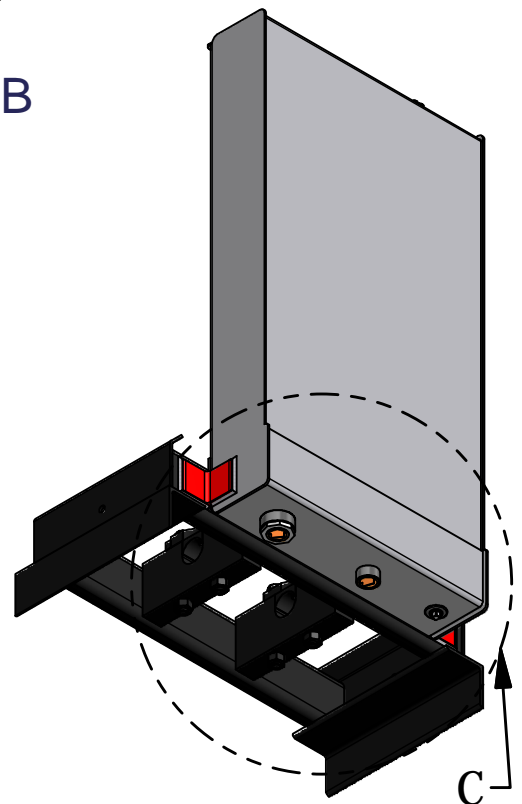
WELDED ANGLE IRON FROM TANK TO CRADLE



DETAIL B



DETAIL C



C

