

# PARTS CATALOGUE



INC.



[WWW.BEAUROC.COM](http://WWW.BEAUROC.COM)

## TABLE OF CONTENTS - I

PART #	DESCRIPTION	PAGE
<b>SECTION 1 - MOUNTING KITS &amp; TANKS</b>		
<b>MOUNTING KITS</b>		
903	MOUNTING KIT WITH TANK	101-102
905	MOUNTING KIT WITHOUT TANK	103-104
902	MOUNTING KIT - CRADLE, BLOCKS & HINGE	105-106
<b>TRUNNION BLOCKS</b>		
206	UPPER TRUNNION BLOCK KIT <i>(45 &amp; 90 DEGREE FRONTS)</i>	107-108
205	UPPER TRUNNION BLOCK KIT <i>(QUARTER ROUND FRONT)</i>	109-110
631	TRUNNION BLOCK BRACKET KIT <i>(45 &amp; 90 DEGREE FRONTS)</i>	111-112
630	TRUNNION BLOCK BRACKET KIT <i>(QUARTER ROUND FRONT)</i>	113-114
632	TRUNNION BLOCK BRACKET KIT <i>(FLAT FRONT)</i>	115-116
633 & 634	UPPER CYLINDER MOUNTING BRACKET <i>(DHT STYLE RECESS)</i>	117-118
<b>CRADLE KITS</b>		
201	DUMP BODY CRADLE KIT	119-120
200	CRADLE BLOCK KIT <i>(OLD STYLE CRADLE)</i>	121-122
202	DUMP BODY CRADLE KIT <i>(PIN TO PIN CYLINDER)</i>	123-124
<b>REAR HINGE</b>		
185	DUMP BODY HINGE KIT	125-126
<b>HYDRAULICS</b>		
230A	OIL TANK KIT	127-128
231A	FLAT OIL TANK 45T-55T	129-130
231B	SLIM LINE TANK 45T	131-132
900	HYDRAULIC CONNECTION KIT	133-134
<b>HARDWARE</b>		
HW	HARDWARE - MOUNTING KITS & TANKS	135
<b>SECTION 2 - CYLINDERS - TRUNNION MOUNT SERIES</b>		
<b>MAILHOT CYLINDERS</b>		
500	MAILHOT TELESCOPIC CYLINDER "M & G3" SERIES	201-202
502	MAILHOT TELESCOPIC CYLINDER "CS & G4" SERIES	203-204
503	MAILHOT TELESCOPIC CYLINDER "CS" DOUBLE-ACTING SERIES	205-206
<b>MUNCIE CYLINDERS</b>		
506	MUNCIE TELESCOPIC CYLINDER "TRUNNION MOUNT" SERIES	207-208
<b>SECTION 3 - TARP KITS &amp; CAB SHIELDS</b>		
<b>AIR TARPS</b>		
131-132	AIR TARP KITS - AERO	301-302
131-132	AIR TARP KIT PARTS - AERO	303-304
154-155	AIR TARP KITS - BEAU-ROC	305-306
154-155	AIR TARP KIT PARTS - BEAU-ROC	307-308
<b>PARTS AND ACCESSORIES</b>		<b>FEBRUARY 2018</b>

## TABLE OF CONTENTS - II

PART #	DESCRIPTION	PAGE
<b>SECTION 3 - TARP KITS &amp; CAB SHIELDS (CONTINUED)</b>		
<b>ELECTRIC TARPS</b>		
133	ELECTRIC TARP KITS - AERO	309-310
133	ELECTRIC TARP KIT PARTS -AERO	311-312
146-147	ELECTRIC TARP KITS - BEAU-ROC	313-314
146-147	ELECTRIC TARP KIT PARTS - BEAU-ROC	315-316
<b>MANUAL TARPS</b>		
135	MANUAL TARP KITS - AERO	309-310
135	MANUAL TARP KIT PARTS - AERO	311-312
152-156	MANUAL TARP KITS - BEAU-ROC	313-314
152-156	MANUAL TARP KIT PARTS - BEAU-ROC	315-316
<b>OTHER KITS</b>		
138	ANTI-SAIL TARP KIT - AERO	317-318
148	ANTI-SAIL TARP KIT - BEAU-ROC	319-320
149	MANUAL TARP GROUND OPERATION KIT - BEAU-ROC	321-322
153	BOW KIT - BEAU-ROC	323-324
<b>TARPS</b>		
137	STANDARD & ASPHALT MESH	325-326
<b>CAB SHIELDS</b>		
625 @ 627	CAB SHIELDS	327-328
<b>SECTION 4 - SIDE, BOTTOM &amp; HEAT ACCESSORIES</b>		
<b>SIDE ACCESSORIES</b>		
910	BODY SIDE ACCESSORIES	401-402
	BODY REPAIR PARTS	403-404
	TARP RAILS	405-406
910F-FM-S	LADDERS	407-408
<b>HEATING KITS &amp; ACCESSORIES</b>		
180	ADJUSTABLE HEATING & SPRING BOX KIT	409-410
181	HEATING & SPRING BOX KIT	411-412
182	ADJUSTABLE HEATING & SPRING BOX KIT (SS 304)	413-414
183	THERMO-COUPLED HEAT BOX KIT (SS 304)	415-416
180-20X	SPRING BOX RE-POSITIONER	417-418
<b>BODY PROPS</b>		
270-271	BODY PROP STD & INTEGRATED MODELS	419-420
<b>MUD FLAPS</b>		
160	MUD FLAP & BRACKET KITS	421-422
<b>WIRING &amp; LIGHTS</b>		
911	WIRING HARNESS & LIGHT KITS	423-424
<b>PARTS AND ACCESSORIES</b>		<b>FEBRUARY 2018</b>

## TABLE OF CONTENTS - III

PART #	DESCRIPTION	PAGE
<b>SECTION 4 - SIDE, BOTTOM &amp; HEAT ACCESSORIES (CONTINUED)</b>		
<b>ROLLERS</b>		
750	HOOK LIFT ROLLERS	425-426
751	ROLL-OFF REPLACEMENT PARTS	427-428
<b>RUBBER MOUNTS</b>		
187	FULL LENGTH RUBBER ISOLATION MOUNT KITS	429-430
<b>LABELS</b>		
1003	DUMP BODY WARNING LABELS	431-432
<b>SECTION 5 - TAILGATE OPENING MECHANISMS</b>		
<b>WATER TIGHT</b>		
808	WATER TIGHT TAILGATE KIT	501-502
<b>OPENING MECHANISMS</b>		
810	MANUAL OPENING TAILGATE KIT	503-504
811	AUTOMATIC OPENING TAILGATE KIT	505-506
811A-C	AIR HIGH LIFT TAILGATE KIT	507-508
811B-D	HYDRAULIC HIGH LIFT TAILGATE KIT	509-510
811E	COMPACT HYDRAULIC HIGH LIFT TAILGATE KIT	511-512
811F	INTERNAL AIR HIGH LIFT TAILGATE KIT	513-514
812	MANUAL SIDE OPENING TAILGATE KIT <i>(BARN DOOR)</i>	515-516
<b>SECTION 6 - LATCHING MECHANISMS &amp; PARTS</b>		
<b>BOLSTER KITS</b>		
706	STANDARD TAILGATE LATCH BOLSTER KIT	601-602
708	DOUBLE ACTING LATCH BOLSTER KIT	603-604
710A	ASPHALT TAIL BOLSTER KIT	605-606
<b>LATCHES</b>		
700-701 702-708	STD & DOUBLE ACTING DISCONTINUED LATCH MODELS	607-608
701-705 710	ASPHALT TAIL DISCONTINUED LATCH MODELS	609-610
<b>SECTION 7 - REAR OPTIONS &amp; TAILGATES</b>		
<b>REAR OPTIONS</b>		
272-273	TAILGATE SAFETY LOCK KITS	701-702
280	ASPHALT APRON	703-704
801	COAL DOOR STANDARD & SMALL MODELS	705-706
801	COAL DOOR SIDE HANDLE MODELS	707-708
801	COAL DOOR DRUM STYLE MODEL	709-710
805	UPPER TAILGATE HINGE KIT	711-712
<b>PARTS AND ACCESSORIES</b>		<b>FEBRUARY 2018</b>

## TABLE OF CONTENTS - IV

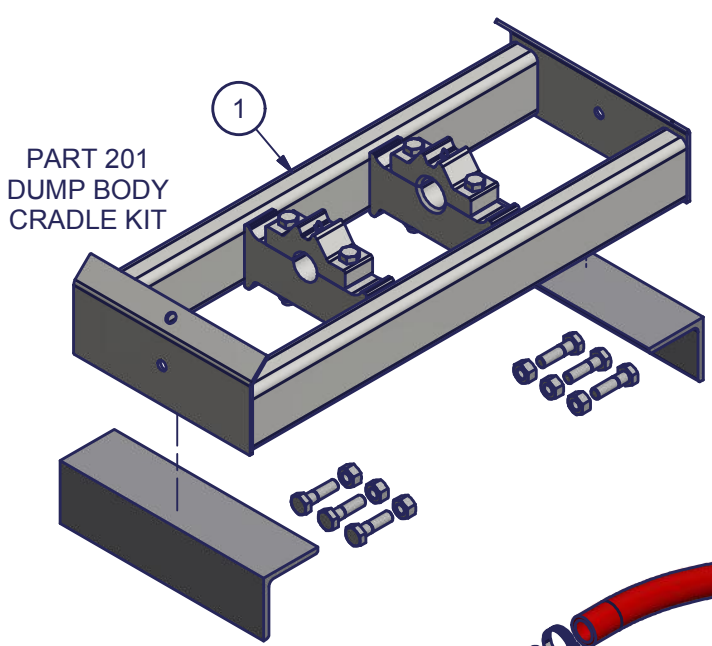
PART #	DESCRIPTION	PAGE
<b>SECTION 7 - REAR OPTIONS &amp; TAILGATES (CONTINUED)</b>		
<b>REAR OPTIONS (CONTINUED)</b>		
805	UPPER TAILGATE DOUBLE LINK HINGE KIT	713-714
815	TAILGATE AIR CYLINDER KIT	715-716
<b>TAILGATES</b>		
800	TRADITIONAL TAILGATE MODELS	717-718
800A	DIAMOND TAILGATE MODELS	719-720
<b>SECTION 8 - ULTRA &amp; ULTRA-C PARTS CATALOGUE</b>		
<b>MOUNTING KITS &amp; TANKS</b>		
903U	MOUNTING KIT WITH TANK	801-802
905U	MOUNTING KIT WITHOUT TANK	803-804
902U	MOUNTING KIT - CRADLE, BLOCKS & HINGE	805-806
<b>TRUNNION BLOCKS</b>		
206U	UPPER TRUNNION BLOCK KIT	807-808
631U-632U	TRUNNION BLOCK BRACKET KIT	809-810
<b>CRADLE KITS</b>		
201U	DUMP BODY CRADLE KIT	811-812
<b>REAR HINGE</b>		
185U	DUMP BODY HINGE KIT	813-814
<b>HYDRAULICS</b>		
230A-U	OIL TANK KIT	815-816
900U	HYDRAULIC CONNECTION KIT	817-818
<b>CYLINDERS &amp; POWER PACK</b>		
500U @ 502U	MAILHOT TELESCOPIC CYLINDERS	819-820
300A	SINGLE ACTING (TWO STAGES) ELECTRIC HYDRAULIC POWER PACK	821-822
<b>FRONT OPTIONS</b>		
151U	MANUAL TARP ROLLER KIT WITH MESH	823-824
628U	ULTRA FRONT OPTIONS	825-826
<b>REAR OPTIONS</b>		
911U	WIRING HARNESS KIT	827-828
810U	MANUAL OPENING TAILGATE KIT	829-830
708U	DOUBLE ACTING TAILGATE LATCH BOLSTER KIT	831-832
800U-S	ULTRA REPLACEMENT SIDES & ACCESSORIES	833-834
800U-T	ULTRA REPLACEMENT TAILGATES & ACCESSORIES	835-836
<b>ROLLERS</b>		
750U	HOOK LIFT ROLLERS	837-838
<b>BOTTOM OPTIONS</b>		
269U	ULTRA BODY PROP KIT	839-840
<b>PARTS AND ACCESSORIES</b>		<b>FEBRUARY 2018</b>





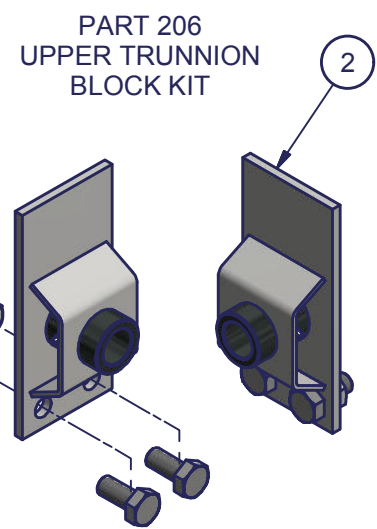
# SECTION 1 - MOUNTING KITS & TANKS

PART #	DESCRIPTION	PAGE
<b>MOUNTING KITS</b>		
903	MOUNTING KIT WITH TANK	101-102
905	MOUNTING KIT WITHOUT TANK	103-104
902	MOUNTING KIT - CRADLE, BLOCKS & HINGE	105-106
<b>TRUNNION BLOCKS</b>		
206	UPPER TRUNNION BLOCK KIT <i>(45 &amp; 90 DEGREE FRONTS)</i>	107-108
205	UPPER TRUNNION BLOCK KIT <i>(QUARTER ROUND FRONT)</i>	109-110
631	TRUNNION BLOCK BRACKET KIT <i>(45 &amp; 90 DEGREE FRONTS)</i>	111-112
630	TRUNNION BLOCK BRACKET KIT <i>(QUARTER ROUND FRONT)</i>	113-114
632	TRUNNION BLOCK BRACKET KIT <i>(FLAT FRONT)</i>	115-116
633 & 634	UPPER CYLINDER MOUNTING BRACKET <i>(DHT STYLE RECESS)</i>	117-118
<b>CRADLE KITS</b>		
201	DUMP BODY CRADLE KIT	119-120
200	CRADLE BLOCK KIT <i>(OLD STYLE CRADLE)</i>	121-122
202	DUMP BODY CRADLE KIT <i>(PIN TO PIN CYLINDER)</i>	123-124
<b>REAR HINGE</b>		
185	DUMP BODY HINGE KIT	125-126
<b>HYDRAULICS</b>		
230A	OIL TANK KIT	127-128
231A	FLAT OIL TANK 45T-55T	129-130
231B	SLIM LINE TANK 45T	131-132
900	HYDRAULIC CONNECTION KIT	133-134
<b>HARDWARE</b>		
HW	HARDWARE - MOUNTING KITS & TANKS	135



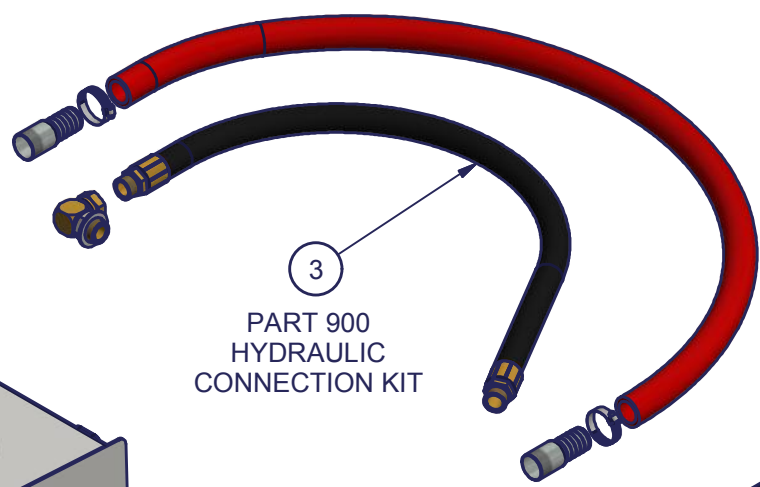
PART 201  
DUMP BODY  
CRADLE KIT

1



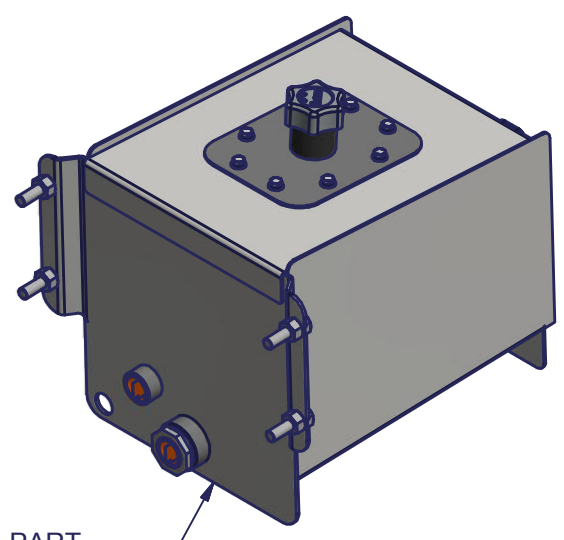
PART 206  
UPPER TRUNNION  
BLOCK KIT

2



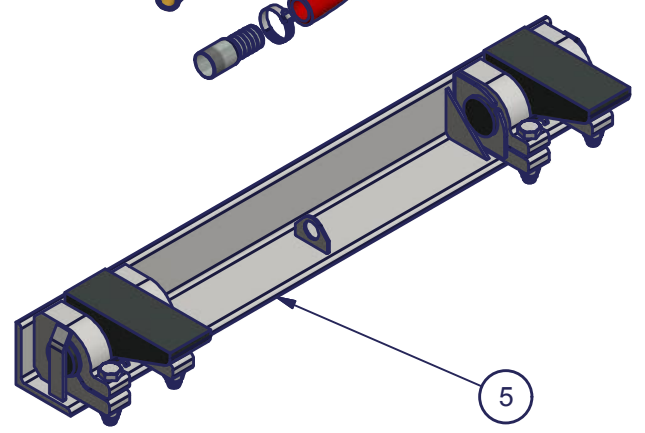
PART 900  
HYDRAULIC  
CONNECTION KIT

3



PART  
230A  
OIL TANK  
KIT

4



PART 185  
DUMP BODY  
HINGE KIT

5

TOTAL WEIGHT OF INSTALLATION KIT (LBS):

24T	35T	45T	50T	55T
307	339	411	489	489



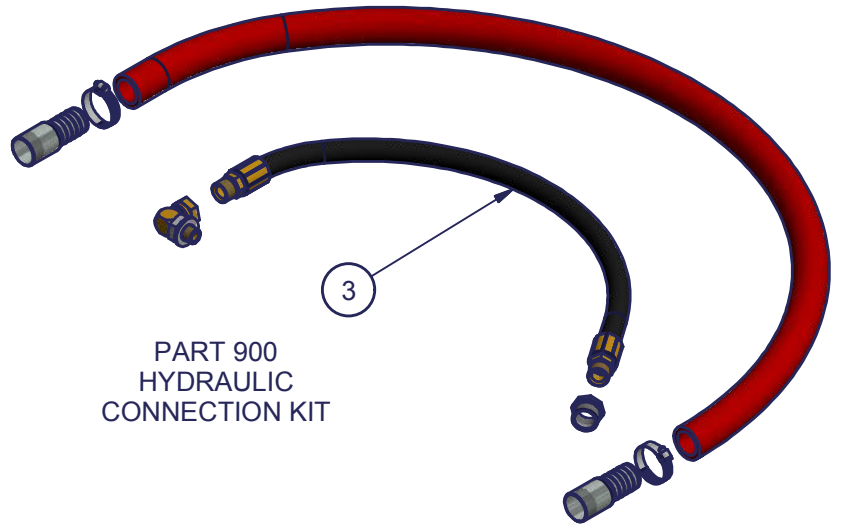
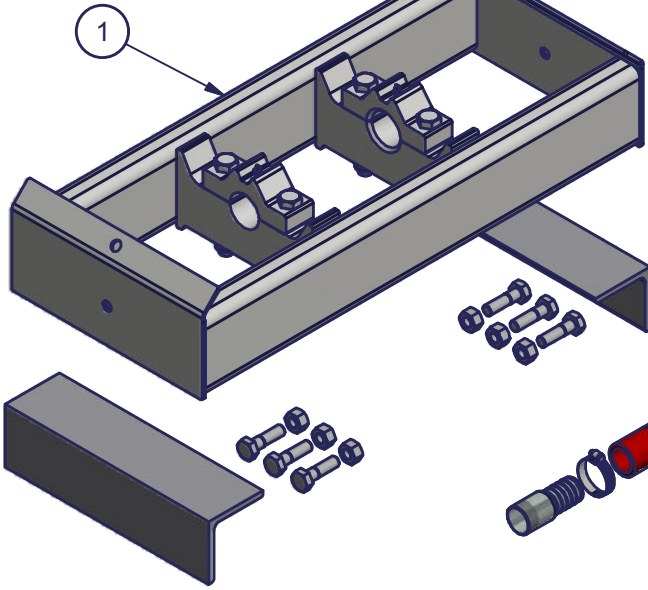
PART:  
**903**

TITLE:  
**MOUNTING KIT WITH TANK**

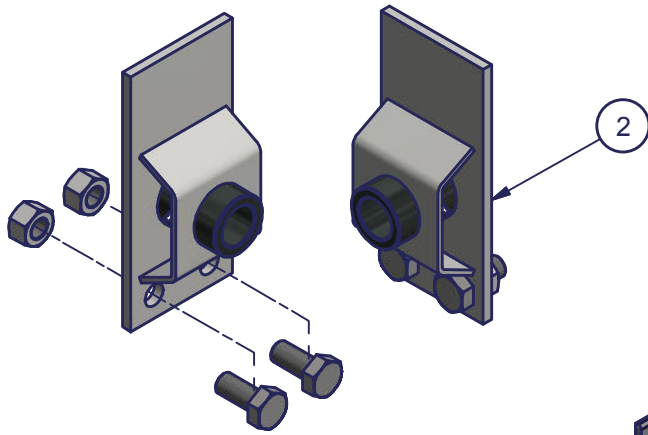
## PART # 903 - MOUNTING KIT WITH TANK

ITEM	DESCRIPTION	# BEAU-ROC	
24T	CRADLE & BLOCKS & HINGE 24T, TANK 24-35T	903-20-24T	
	CRADLE & BLOCKS 24T, HINGE 35-45T, TANK 24-35T	903-20-24T-1	
35T	CRADLE & BLOCKS 35T, HINGE 35-45T, TANK 24-35T	903-30-35T-1	
	CRADLE & BLOCKS 35T, HINGE 35-45T, TANK 45T	903-30-35T-2	
	CRADLE & BLOCKS 35T, HINGE 50T, TANK 45T	903-30-35T-3	
45T	CRADLE & BLOCKS 45T, HINGE 35-45T, TANK 45T	903-40-45T	
	CRADLE & BLOCKS 45T, HINGE 35-45T, TANK 50-55T <i>(RECOMMENDED WITH G3 180-5.7-4 HOIST)</i>	903-40-45T-2	
	CRADLE & BLOCKS 45T, HINGE 50T, TANK 45T	903-40-45T-1M	
55T	CRADLE & TANK 50-55T, BLOCKS 55T, HINGE 35-45T <i>(8" SILLS)</i>	903-55T-8	
	CRADLE & TANK 50-55T, BLOCKS 55T, HINGE 35-45T <i>(10" SILLS)</i>	903-55T-10	
	<b>NOTE: FOR HYVA CYLINDERS FC 7.5-4-182 OR FC 7.5-4-194 <i>(10" SILLS)</i></b>	<b>903-55T-10-H</b>	
	<b>NOTE: FOR MUNCIE CYLINDERS MC182-7.5-4 OR MC194-7.5-4 <i>(8" &amp; 10" SILLS)</i></b>	<b>903-55T-10-H</b>	
	CRADLE & HINGE & TANK 50-55T, BLOCKS 55T <i>(8" SILLS)</i>	903-55T-1M-8	
	CRADLE & HINGE & TANK 50-55T, BLOCKS 55T <i>(10" SILLS)</i>	903-55T-1M-10	
	<b>NOTE: FOR HYVA CYLINDERS FC 7.5-4-182 OR FC 7.5-4-194 <i>(10" SILLS)</i></b>	<b>903-55T-1M-10-H</b>	
	<b>NOTE: FOR MUNCIE CYLINDERS MC 182-7.5-4 OR MC 194-7.5-4 <i>(8" &amp; 10" SILLS)</i></b>	<b>903-55T-1M-10-H</b>	
	<b>Note: for MAILHOT cylinders G3 182-6.7-4 &amp; G3 194-6.7-4</b> <i>REPLACE THE TONNAGE DIGITS (prices are the same) EX:</i>	903- <u>50T</u> -10	N/A
1	DUMP BODY CRADLE KITS	PART 201	p.119-120
-	<b>HARDWARE KIT 201-(202)-1</b>	<b>HW-201-1</b>	<b>p.135</b>
2	UPPER TRUNNION BLOCK KITS - 45 & 90 DEGREE FRONTS	PART 206	p.107-108
-	<b>HARDWARE KIT 206</b>	<b>HW-206-1</b>	<b>p.135</b>
3	HYDRAULIC CONNECTION KITS	PART 900	p.133-134
4	OIL TANK KITS	PART 230A	p.127-128
-	<b>HARDWARE KIT 230A</b>	<b>HW-230A-1</b>	<b>p.135</b>
5	DUMP BODY HINGE KITS	PART 185	p.125-126

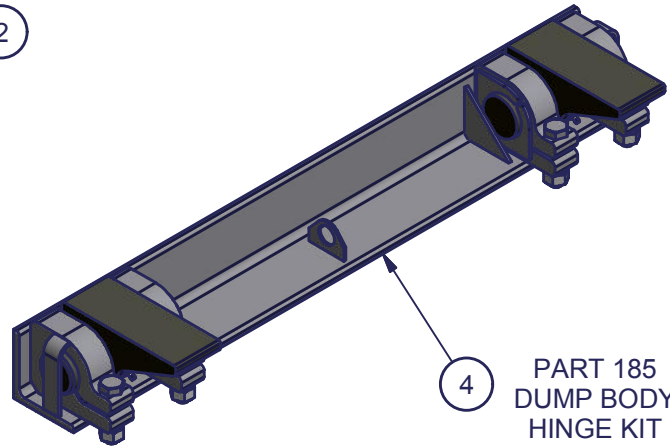
PARTS 201  
DUMP BODY  
CRADLE KIT



PART 900  
HYDRAULIC  
CONNECTION KIT



PART 206  
UPPER TRUNNION  
BLOCK KIT



PART 185  
DUMP BODY  
HINGE KIT

TOTAL WEIGHT OF INSTALLATION KIT (LBS):

24T	35T	45T	50T	55T
234	266	315	366	366



OCTOBER 2016

PART:

**905**

TITLE:

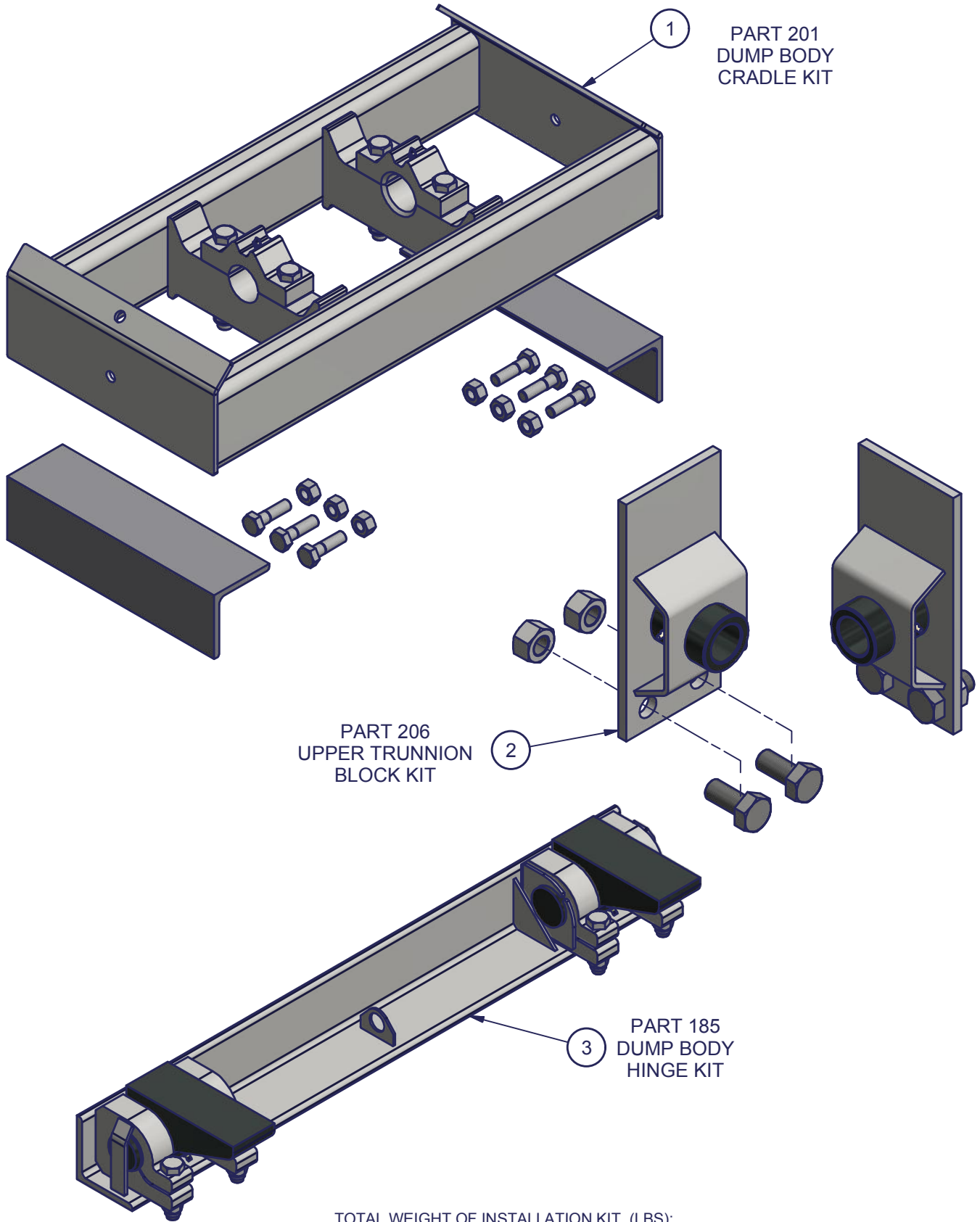
**MOUNTING KIT WITHOUT TANK**

## PART # 905 - MOUNTING KIT WITHOUT TANK

ITEM	DESCRIPTION	# BEAU-ROC	
24T	CRADLE & BLOCKS & HINGE 24T, NO TANK	905-20-24T	
	CRADLE & BLOCKS 24T, HINGE 35-45T, NO TANK	905-20-24T-1	
35T	CRADLE & BLOCKS 35T, HINGE 35-45T, NO TANK	905-30-35T-1	
	CRADLE & BLOCKS 35T, HINGE 50T, NO TANK	905-30-35T-3	
45T	CRADLE & BLOCKS 45T, HINGE 35-45T, NO TANK	905-40-45T	
	CRADLE & BLOCKS 45T, HINGE 50T, NO TANK	905-40-45T-1M	
55T	CRADLE 50-55T, BLOCKS 55T, HINGE 35-45T, NO TANK (8" SILLS)	905-55T-8	
	CRADLE 50-55T, BLOCKS 55T, HINGE 35-45T, NO TANK (10" SILLS)	905-55T-10	
	NOTE: FOR HYVA CYLINDERS FC 7.5-4-182 OR FC 7.5-4-194 (10" SILLS)	905-55T-10-H	
	NOTE: FOR MUNCIE CYLINDERS MC182-7.5-4 OR MC194-7.5-4 (8" & 10" SILLS)	905-55T-10-H	
	CRADLE & HINGE 50-55T, BLOCKS 55T, NO TANK (8" SILLS)	905-55T-1M-8	
	CRADLE & HINGE 50-55T, BLOCKS 55T, NO TANK (10" SILLS)	905-55T-1M-10	
	NOTE: FOR HYVA CYLINDERS FC 7.5-4-182 OR FC 7.5-4-194 (10" SILLS)	905-55T-1M-10-H	
	NOTE: FOR MUNCIE CYLINDERS MC 182-7.5-4 OR MC 194-7.5-4 (8" & 10" SILLS)	905-55T-1M-10-H	
	<b>Note: for MAILHOT cylinders G3 182-6.7-4 &amp; G3 194-6.7-4</b>		
	<i>REPLACE THE TONNAGE DIGITS (prices are the same) EX:</i>	905- <del>50T</del> -10	N/A
1	DUMP BODY CRADLE KITS	PART 201	p.119-120
-	<b>HARDWARE KIT 201-(202)-1</b>	<b>HW-201-1</b>	<b>p.135</b>
2	UPPER TRUNNION BLOCK KITS	PART 206	p.107-108
-	<b>HARDWARE KIT 206</b>	<b>HW-206-1</b>	<b>p.135</b>
3	HYDRAULIC CONNECTION KITS	PART 900	p.133-134
4	DUMP BODY HINGE KITS	PART 185	p.125-126

**PARTS AND ACCESSORIES**

**SEPTEMBER 2016**



1  
PART 201  
DUMP BODY  
CRADLE KIT

2  
PART 206  
UPPER TRUNNION  
BLOCK KIT

3  
PART 185  
DUMP BODY  
HINGE KIT

TOTAL WEIGHT OF INSTALLATION KIT (LBS):

24T	35T	45T	50T	55T
225	257	304	355	355



OCTOBER 2016

PART:

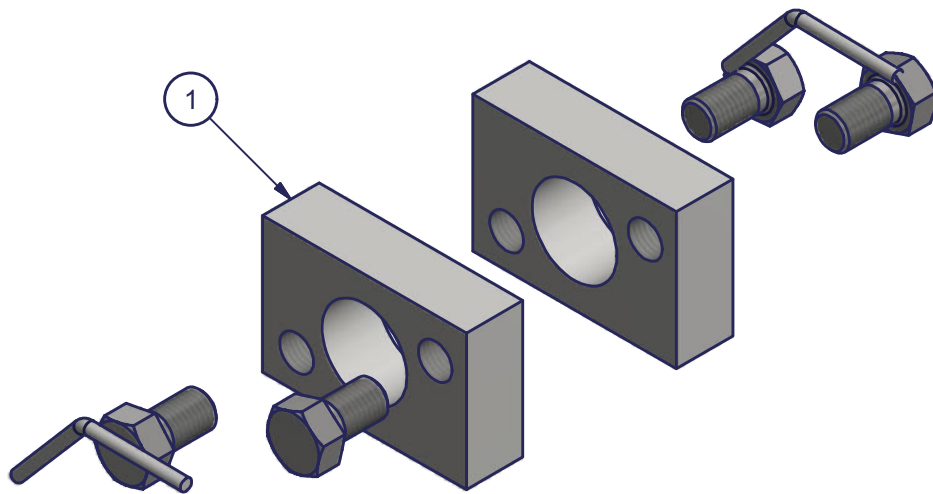
902

TITLE:

MOUNTING KIT- CRADLE, BLOCKS &  
HINGE

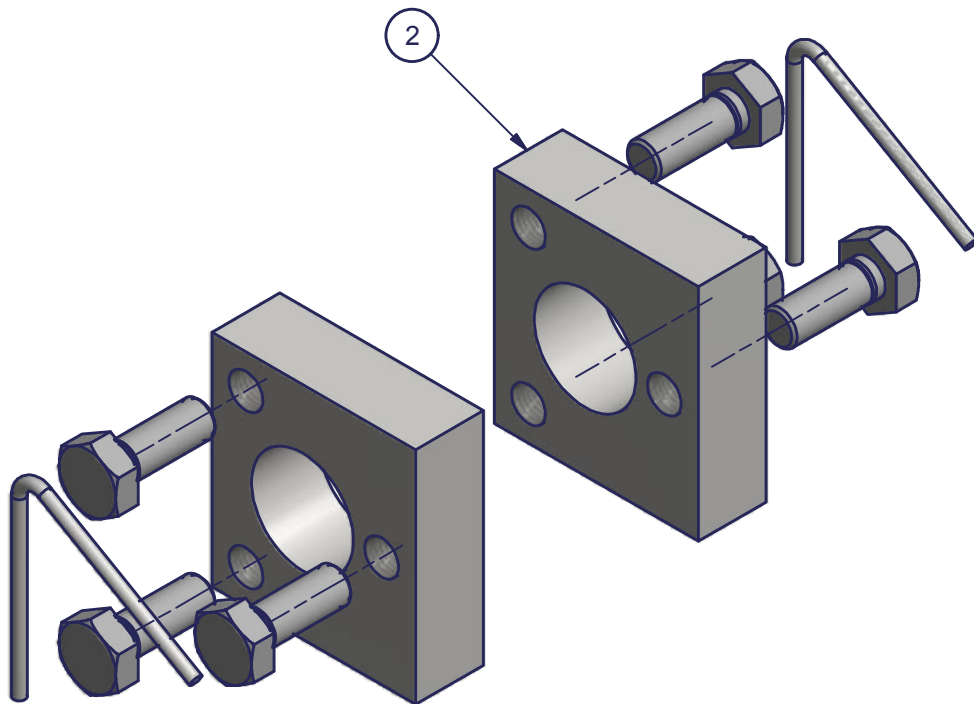
## PART # 902 - MOUNTING KIT - CRADLE, BLOCKS & HINGE

ITEM	DESCRIPTION	# BEAU-ROC	
24T	CRADLE, BLOCKS & HINGE 24T	902-20-24T	
	CRADLE, BLOCKS 24T & HINGE 35-45T	902-20-24T-1	
35T	CRADLE, BLOCKS 35T & HINGE 35-45T	902-30-35T-1	
	CRADLE, BLOCKS 35T & HINGE 50T	902-30-35T-3	
45T	CRADLE, BLOCKS 45T & HINGE 35-45T	902-40-45T	
	CRADLE, BLOCKS 45T & HINGE 50T	902-40-45T-1M	
55T	CRADLE 50T, BLOCKS 55T & HINGE 35-45T (8" SILLS)	902-55T-8	
	CRADLE 50T, BLOCKS 55T & HINGE 35-45T (10" SILLS)	902-55T-10	
	NOTE: FOR HYVA CYLINDERS FC 7.5-4-182 OR FC 7.5-4-194 (10" SILLS)	902-55T-10-H	
	NOTE: FOR MUNCIE CYLINDERS MC 182-7.5-4 OR MC 194-7.5-4 (8" & 10" SILLS)	902-55T-10-H	
	CRADLE 50T, BLOCKS 55T & HINGE 50T (8" SILLS)	902-55T-1M-8	
	CRADLE 50T, BLOCKS 55T & HINGE 50T (10" SILLS)	902-55T-1M-10	
	NOTE: FOR HYVA CYLINDERS FC 7.5-4-182 OR FC 7.5-4-194 (10" SILLS)	902-55T-1M-10-H	
	NOTE: FOR MUNCIE CYLINDERS MC 182-7.5-4 OR MC 194-7.5-4 (8" & 10" SILLS)	902-55T-1M-10-H	
	<b>Note: for MAILHOT cylinders G3 182-6.7-4 &amp; G3 194-6.7-4</b>		
	<i>REPLACE THE TONNAGE DIGITS (prices are the same) EX: 902-<u>50T</u>-10</i>		N/A
1	DUMP BODY CRADLE KITS	PART 201	p.119-120
-	<b>HARDWARE KIT 201-(202)-1</b>	HW-201-1	p.135
2	UPPER TRUNNION BLOCK KITS	PART 206	p.107-108
-	<b>HARDWARE KIT 206</b>	HW-206-1	p.135
3	DUMP BODY HINGE KITS	PART 185	p.125-126



8 - 35T  
WEIGHT: 7.3 LBS/ SET

**A**



45 - 50T  
WEIGHT: 14.7 LBS/ SET

**B**



OCTOBER 2016

PART:

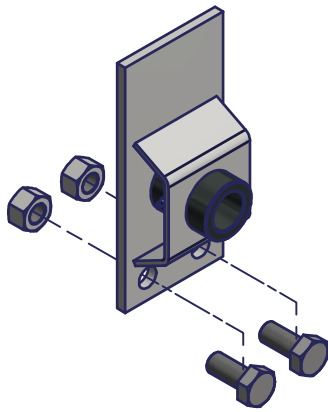
**205**

TITLE:

**UPPER TRUNNION BLOCK KIT  
(QUARTER ROUND FRONT)**

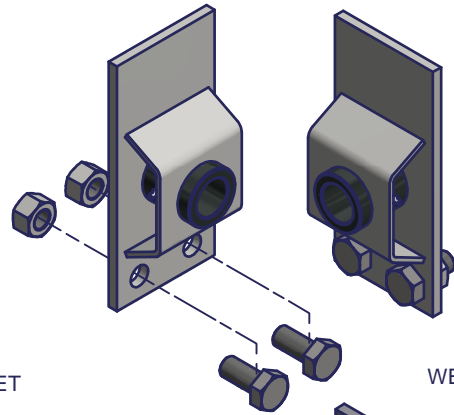
# PART # 206 - UPPER TRUNNION BLOCK KIT (45 & 90 DEGREE FRONTS)

ITEM	DESCRIPTION	# BEAU-ROC	
A	UPPER TRUNNION BLOCK KIT 24T	206-20-24T	
B	UPPER TRUNNION BLOCK KIT 35T	206-30-35T	
C	UPPER TRUNNION BLOCK KIT 45T	206-40-45T	
D	UPPER TRUNNION BLOCK KIT 55T (8" SILLS)	206-55T-8	
E	UPPER TRUNNION BLOCK KIT 55T (10" SILLS)	206-55T-10	
F	UPPER TRUNNION BLOCK KIT 50T (8" SILLS)	206-50T-8	
G	UPPER TRUNNION BLOCK KIT 50T (10" SILLS)	206-50T-10	
	Note: for <b>MAILHOT</b> cylinders <b>G3 182-6.7-4</b> or <b>G3 194-6.7-4</b>		
H	UPPER TRUNNION BLOCK KIT 55T (10" SILLS)	206-55T-10-H	
	Note: for <b>HYVA</b> cylinders <b>FC 7.5-4-182</b> or <b>FC 7.5-4-194</b>		
	Note: for <b>MUNCIE</b> cylinders <b>MC 182-7.5-4</b> OR <b>MC 194-7.5-4</b> (8" & 10" SILLS)		
	<i><b>COMMON PARTS</b></i>		
1	GREASE FITTING 5/16" DRIVE TYPE	GF-3125-DT	
-	HARDWARE KIT 206	HW-206-1	p.135



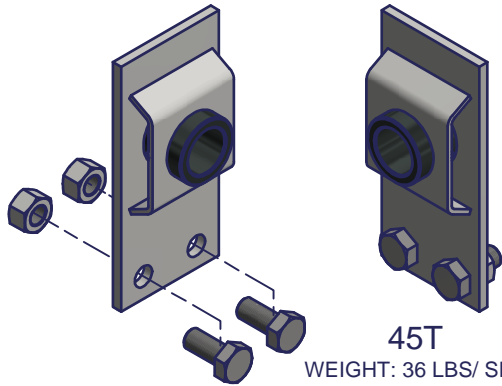
24T  
WEIGHT: 39 LBS/ SET

A



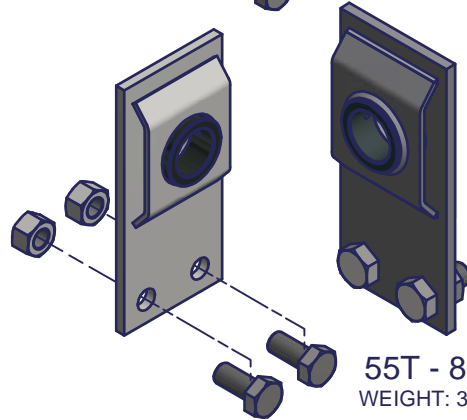
35T  
WEIGHT: 39 LBS/ SET

B



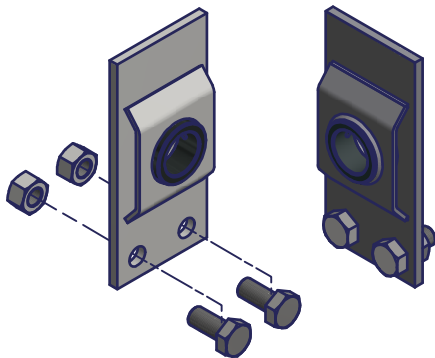
45T  
WEIGHT: 36 LBS/ SET

C



55T - 8" SILLS  
WEIGHT: 33 LBS/ SET

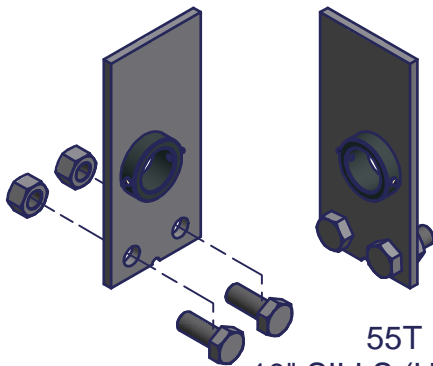
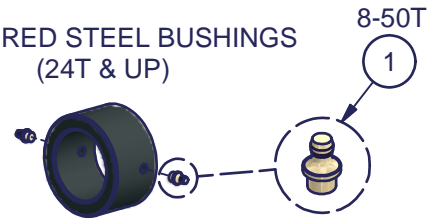
D



55T - 10" SILLS  
WEIGHT: 36 LBS/ SET

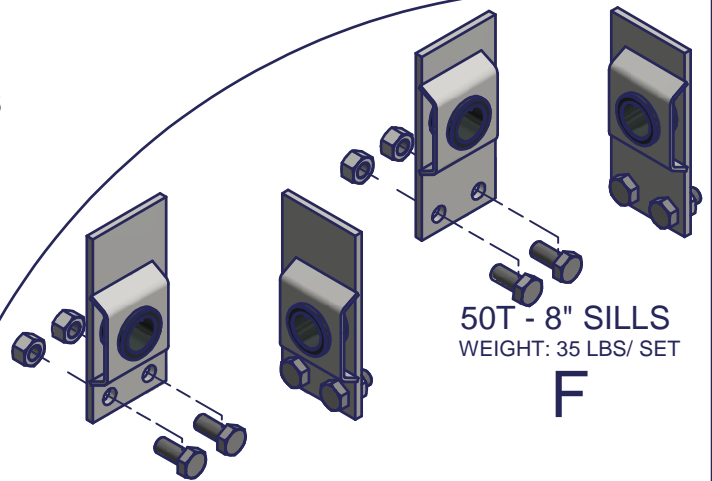
E

TEMPERED STEEL BUSHINGS  
(24T & UP)



55T  
10" SILLS (HYVA)  
8" & 10" SILLS (MUNCIE)  
WEIGHT: 36 LBS/ SET

H



50T - 8" SILLS  
WEIGHT: 35 LBS/ SET

F

50T - 10" SILLS  
WEIGHT: 35 LBS/ SET

G

\* FOR G3 182-6.7-4 &  
G3 194-6.7-4 CYLINDERS



12/07/2018

PART:

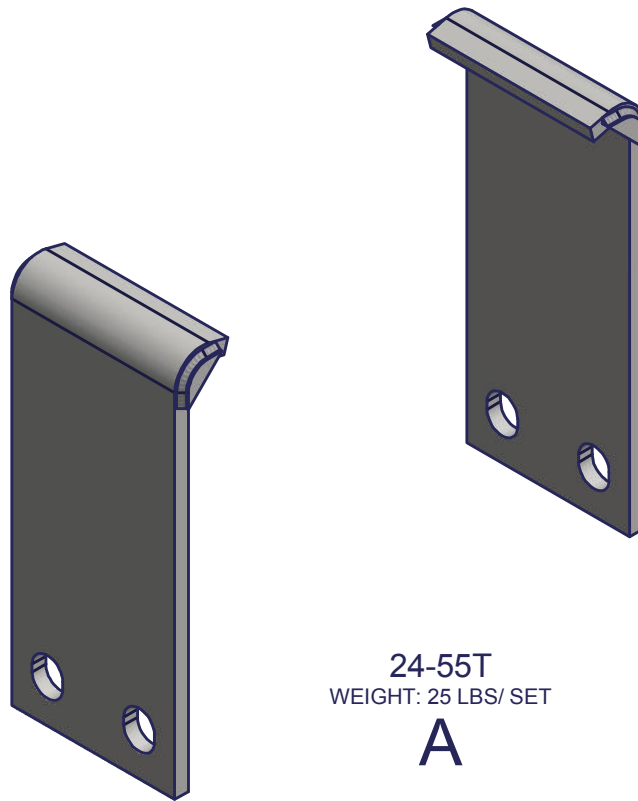
206

TITLE:

UPPER TRUNNION BLOCK KIT  
(45 & 90 DEGREE FRONTS)

**PART # 205 - UPPER TRUNNION BLOCK KIT (QUARTER ROUND FRONT)**

ITEM	DESCRIPTION	# BEAU-ROC	
<b>A</b>	<b>UPPER TRUNNION BLOCK KIT 8-35T</b>	<b>205-08-35T</b>	
1	UPPER BLOCK 8-35T ( <i>4 1/2" WIDE X 3" HIGH X 1 1/4" THICK</i> )	205-08-35-01	
-	<b>HARDWARE KIT 205-1 (8-35T)</b>	<b>HW-205-1</b>	<b>p.135</b>
<b>B</b>	<b>UPPER TRUNNION BLOCK KIT 45-50T</b>	<b>205-45-50T</b>	
2	UPPER BLOCK 45-50T ( <i>4 1/2" WIDE X 4 7/8" HIGH X 1 1/2" THICK</i> )	205-40-45-01	
-	<b>HARDWARE KIT 205-2 (45-50T)</b>	<b>HW-205-2</b>	<b>p.135</b>



24-55T  
WEIGHT: 25 LBS/ SET  
**A**



OCTOBER 2016

PART:

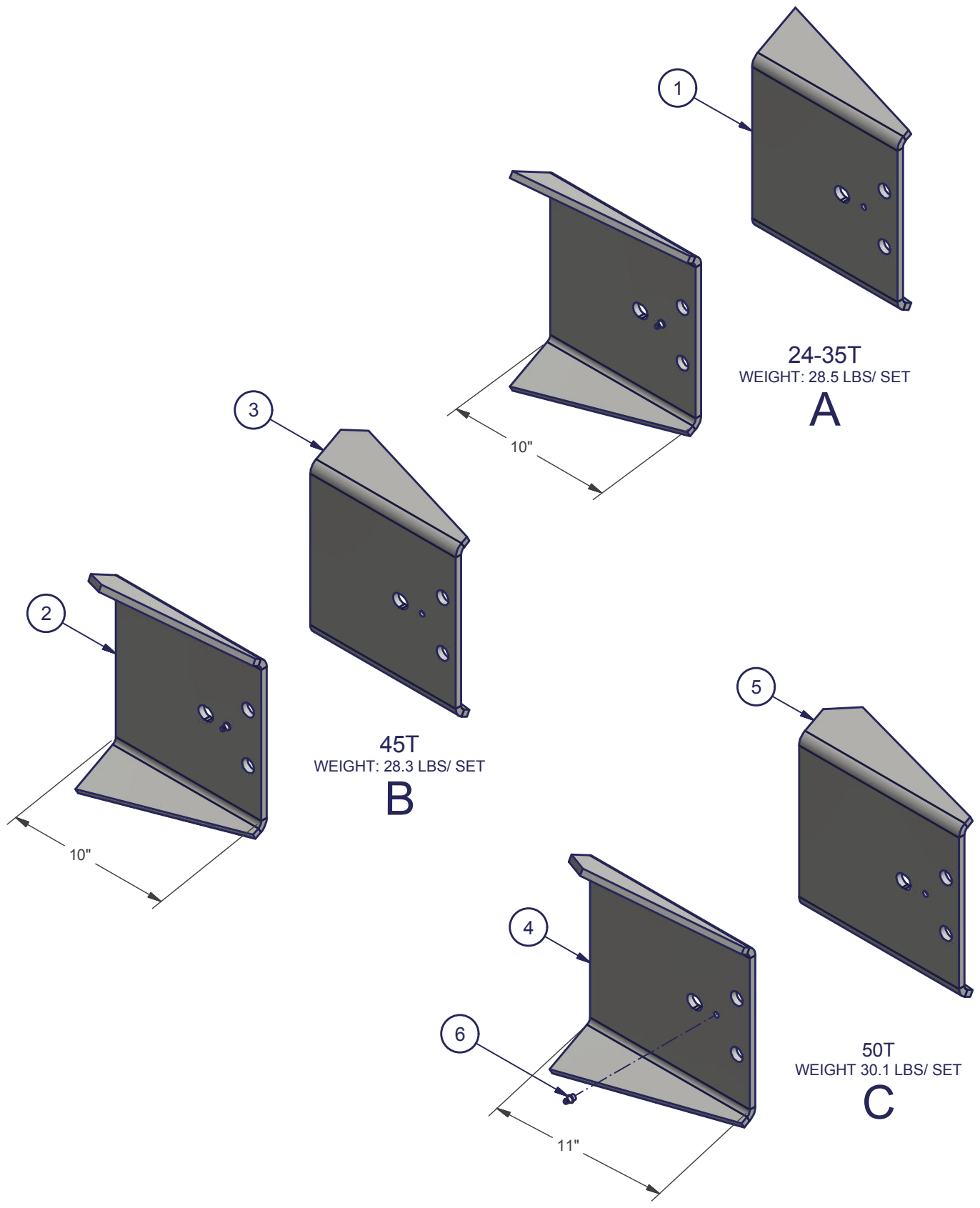
**631**

TITLE:

**TRUNNION BLOCK BRACKET  
KIT (45 & 90 DEGREE FRONTS)**

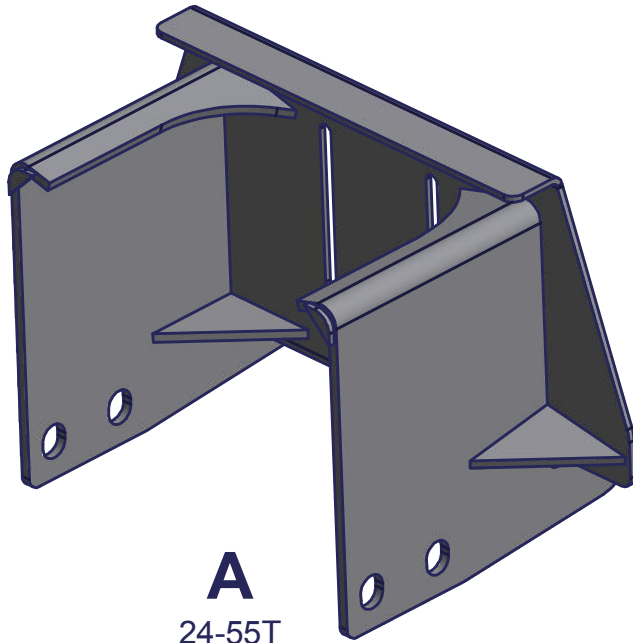
# **PART # 631 - TRUNNION BLOCK BRACKET KIT (45 & 90 DEGREE FRONTS)**

<b>ITEM</b>	<b>DESCRIPTION</b>	<b># BEAU-ROC</b>	
<b>A</b>	<b>TRUNNION BLOCK BRACKET KIT 24-55T</b>	<b>631-24-50T</b>	



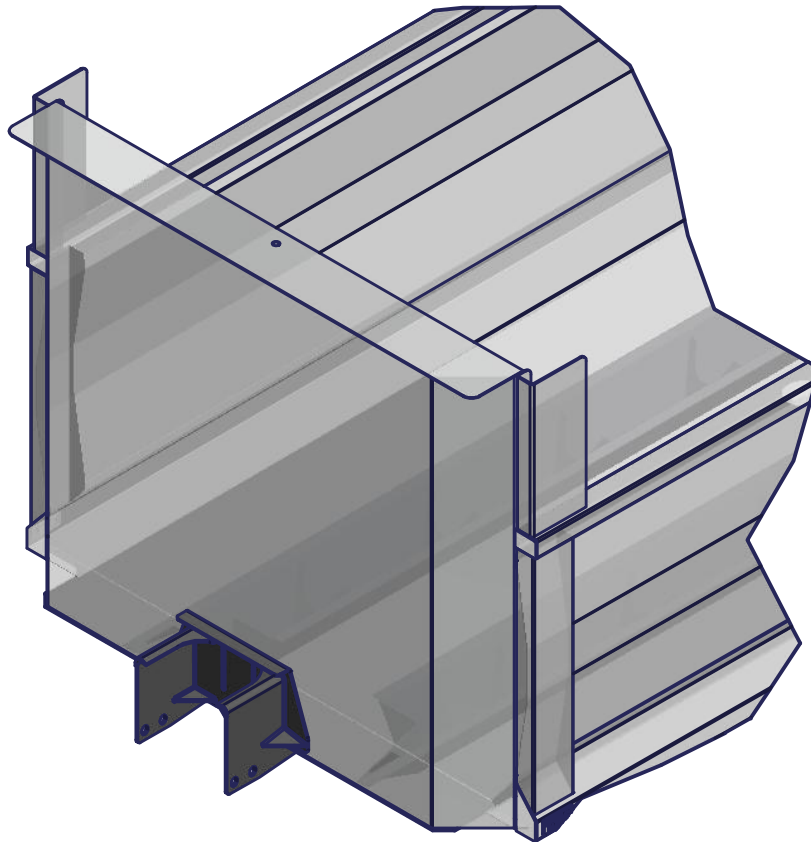
**PART # 630 - TRUNNION BLOCK BRACKET KIT** (QUARTER ROUND FRONT)

ITEM	DESCRIPTION	# BEAU-ROC	
<b>A</b>	<b>TRUNNION BLOCK BRACKET KIT 24-35T</b>	<b>630-20-35T</b>	
1	TRUNNION BLOCK BRACKET 24-35T	630-20-35	
<b>B</b>	<b>TRUNNION BLOCK BRACKET KIT 45T</b>	<b>630-40-45T</b>	
2	TRUNNION BLOCK BRACKET 45T (RIGHT - HELPER)	630-40-45R	
3	TRUNNION BLOCK BRACKET 45T (LEFT - DRIVER)	630-40-45L	
<b>C</b>	<b>TRUNNION BLOCK BRACKET KIT 50T</b>	<b>630-50T</b>	
4	TRUNNION BLOCK BRACKET 50T (RIGHT - HELPER)	630-50R	
5	TRUNNION BLOCK BRACKET 50T (LEFT - DRIVER)	630-50L	
	<b>COMMON PARTS</b>		
6	GREASE FITTING 5/16" DRIVE TYPE	GF-3125-DT	



**A**

24-55T  
WEIGHT: 101 LBS



**B**

24-55T  
WEIGHT: 101 LBS  
INSTALLED



OCTOBER 2016

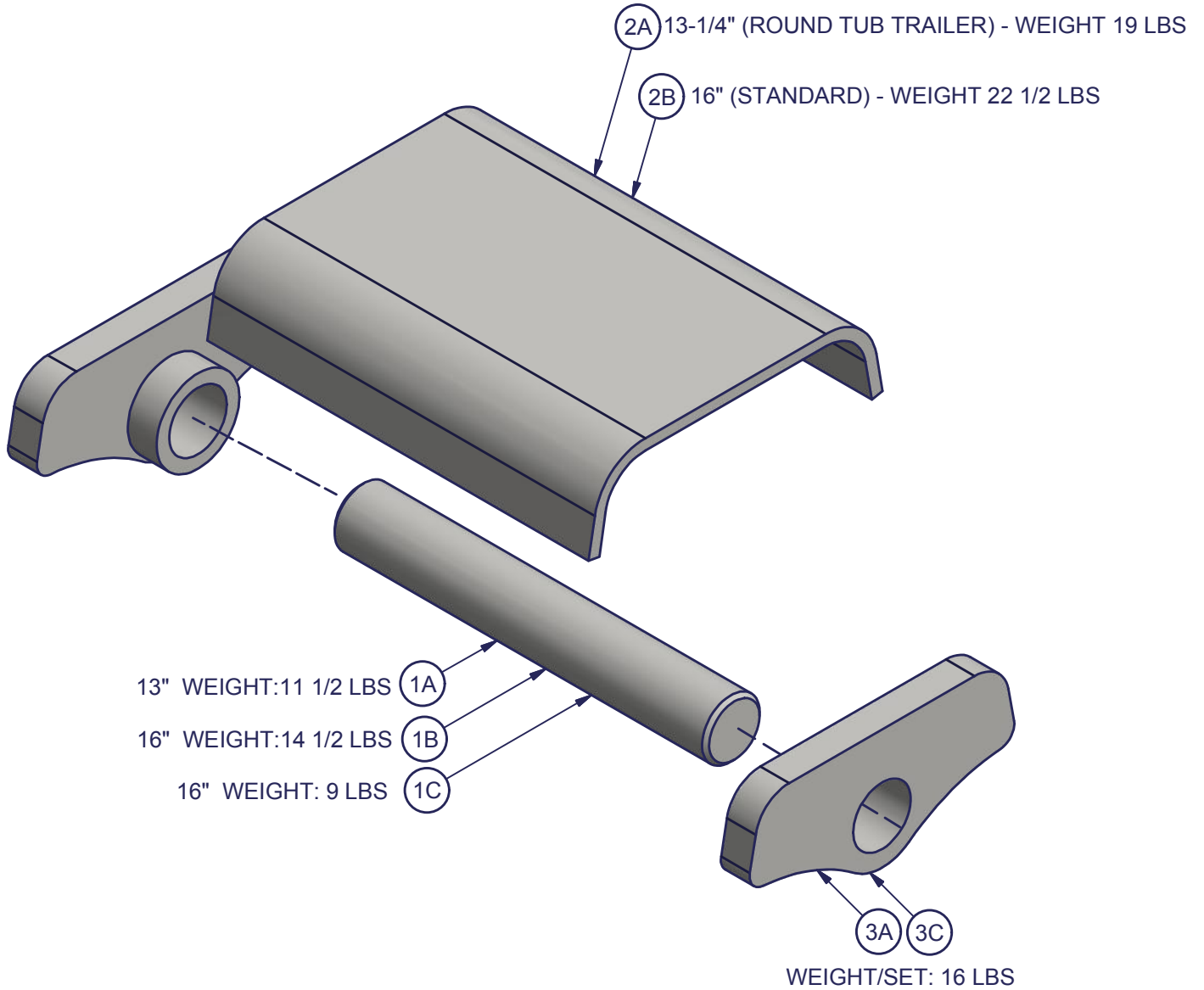
PART:

632

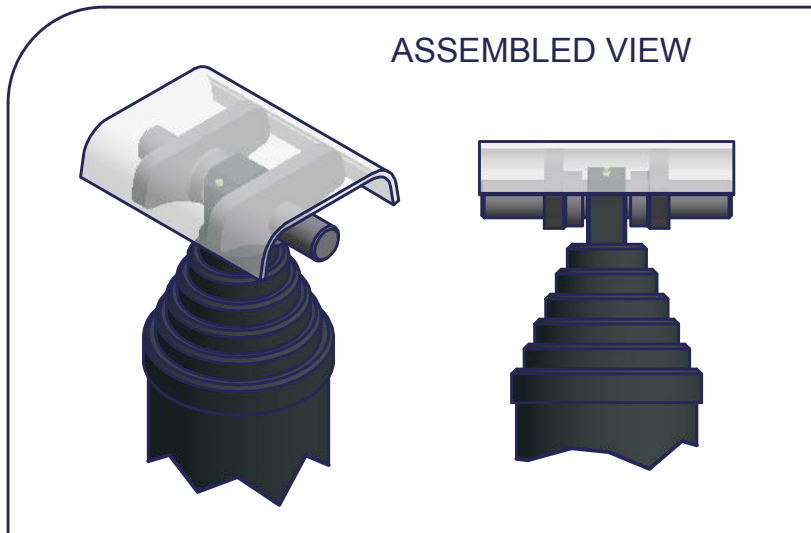
TITLE:

TRUNNION BLOCK BRACKET KIT  
(FLAT FRONT)





TOTAL WEIGHT OF MOUNTING BRACKET:  
 A: 46 1/2 LBS  
 B: 53 LBS  
 C: 47 1/2 LBS



OCTOBER 2016

PART:

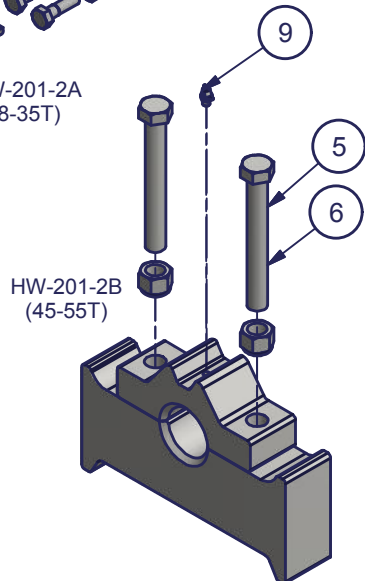
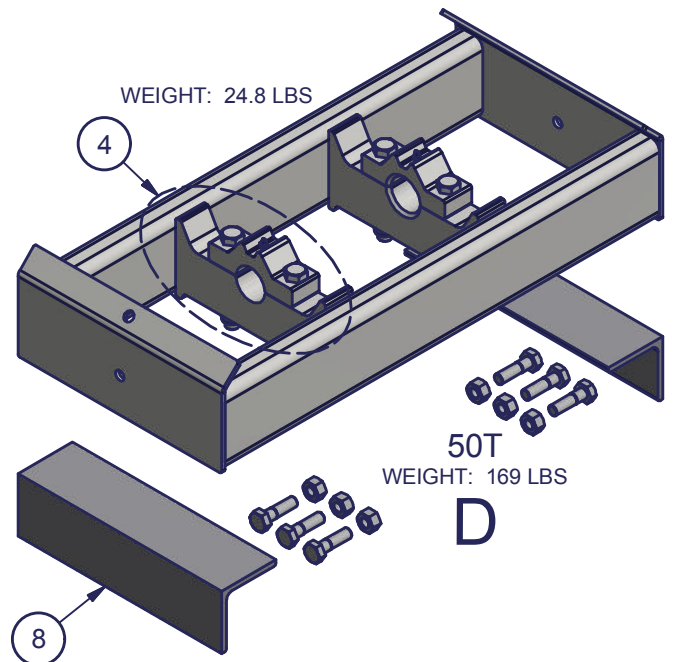
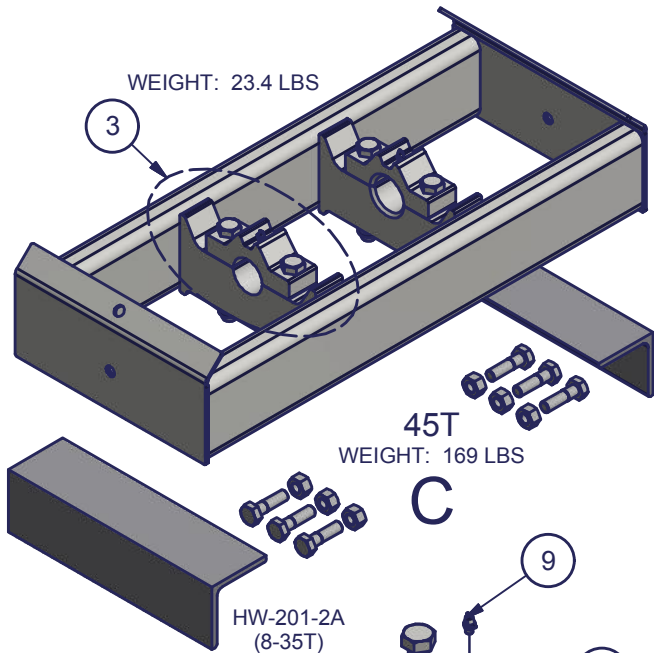
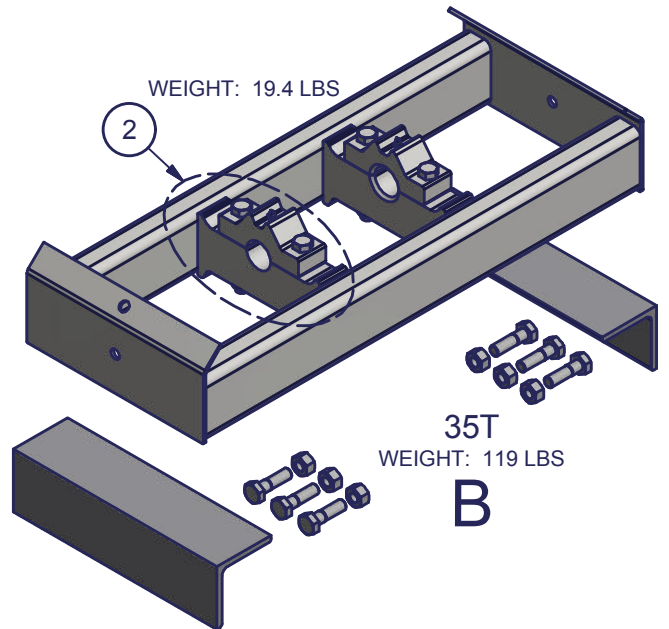
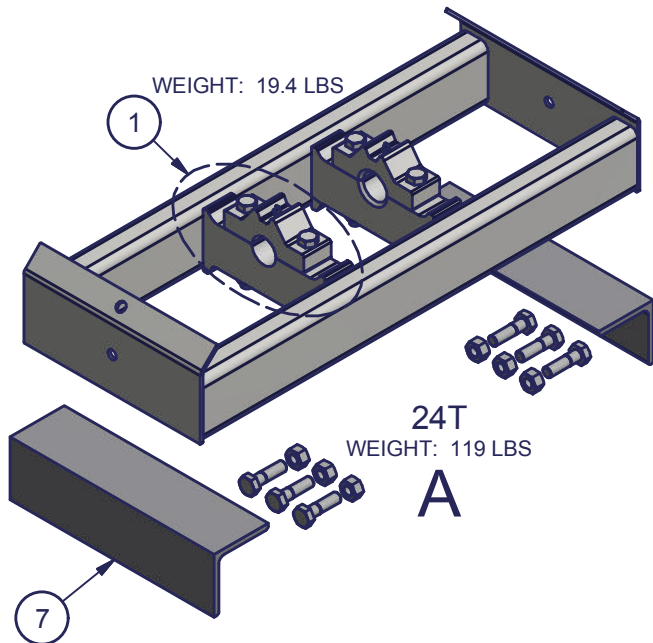
633 & 634

TITLE:

UPPER CYLINDER MOUNTING BRACKET (DHT STYLE RECESS)

**PART # 633 & 634 - UPPER CYLINDER MOUNTING BRACKET (DHT STYLE RECESS)**

ITEM	DESCRIPTION	# BEAU-ROC	
<b>A</b>	<b>UPPER CYLINDER BRACKET KIT- ROUND TUB TRAILER</b>	<b>633-13X</b>	
1A	<i>SHAFT (2" DIA. X 13" LONG)</i>	633-13-01	
2A	<i>MOUNTING BRACKET (13 1/4" LONG)</i>	633-13-02	
<b>B</b>	<b>UPPER CYLINDER BRACKET KIT - STANDARD DHT RECESS</b>	<b>633-16X</b>	
1B	<i>SHAFT (2" DIA. X 16" LONG)</i>	633-16-01	
<b>COMMON PARTS A &amp; B</b>			
3A	<i>SHAFT SUPPORT BRACKET KIT (2" DIA. HOLE)</i>	633-03	
<b>C</b>	<b>UPPER CYLINDER BRACKET KIT - STANDARD DHT RECESS</b> <b>Note: for MAILHOT cylinder C156-6-4</b>	<b>634-16X</b>	
1C	<i>SHAFT (1 1/2" DIA. X 16" LONG)</i>	634-16-01	
3C	<i>SHAFT SUPPORT BRACKET KIT (1 9/16" DIA. HOLE)</i>	634-16-02	
<b>COMMON PARTS B &amp; C</b>			
2B	<i>MOUNTING BRACKET (16" LONG)</i>	633-16-02	
<b>NOTE:</b> -Kit included in all dump body orders with DHT style recess. -No installation at the factory.			



OCTOBER 2016

PART:

201

TITLE:

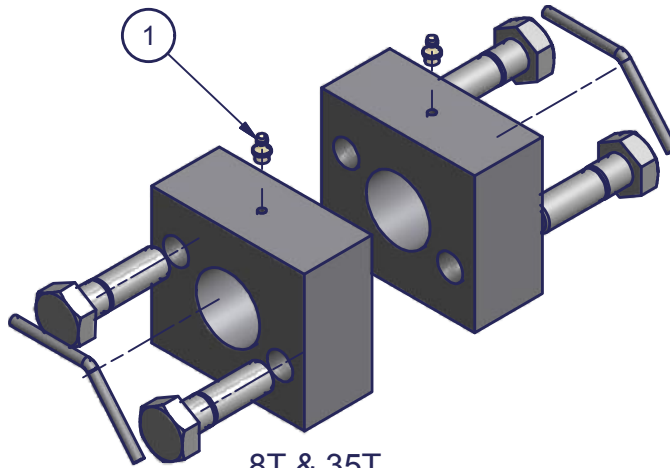
DUMP BODY CRADLE KIT

## PART # 201 - DUMP BODY CRADLE KIT

ITEM	DESCRIPTION	# BEAU-ROC	
<b>A</b>	<b>DUMP BODY CRADLE KIT 24T</b>	<b>201-20-24T</b>	
1	REPLACEMENT BRACE - BLOCK 24T	201-20-24-02X	
<b>B</b>	<b>DUMP BODY CRADLE KIT 35T</b>	<b>201-30-35T</b>	
2	REPLACEMENT BRACE - BLOCK 35T	201-30-35-02X	
	<b>COMMON PARTS A-B</b>		
5	<b>HARDWARE KIT 201-2A (8-35T)</b>	<b>HW-201-2A</b>	<b>p.135</b>
7	ANGLE IRON KIT 24-35T (15" LONG, 4" X 4" X 3/8")	201-24-35-02	
<b>C</b>	<b>DUMP BODY CRADLE KIT 45T</b>	<b>201-40-45T</b>	<b>\$406</b>
3	REPLACEMENT BRACE - BLOCK 45T	201-40-45-02X	
<b>D</b>	<b>DUMP BODY CRADLE KIT 50-55T</b>	<b>201-50T</b>	<b>\$417</b>
4	REPLACEMENT BRACE - BLOCK 50-55T	201-40-50-02X	
	<b>COMMON PARTS C-D</b>		
5	<b>HARDWARE KIT 201-2A (8-35T)</b>	<b>HW-201-2A</b>	<b>p.135</b>
6	<b>HARDWARE KIT 201-2B (45-55T)</b>	<b>HW-201-2B</b>	<b>p.135</b>
8	ANGLE IRON KIT 45-55T (17" LONG, 4" X 4" X 3/8")	201-45-50-02	
	<b>COMMON PARTS</b>		
-	<b>HARDWARE KIT 201-(202)-1</b>	<b>HW-201-1</b>	<b>p.135</b>
9	GREASE FITTING 5/16" DRIVE TYPE	GF-3125-DT	

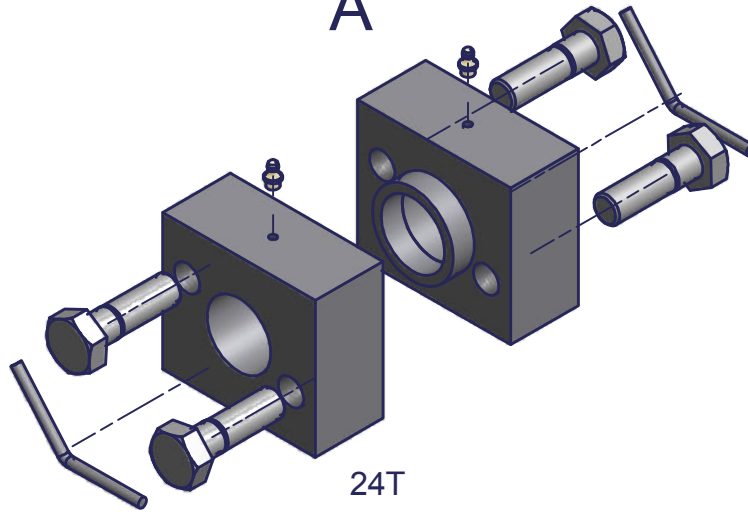
**PARTS AND ACCESSORIES**

**SEPTEMBER 2016**



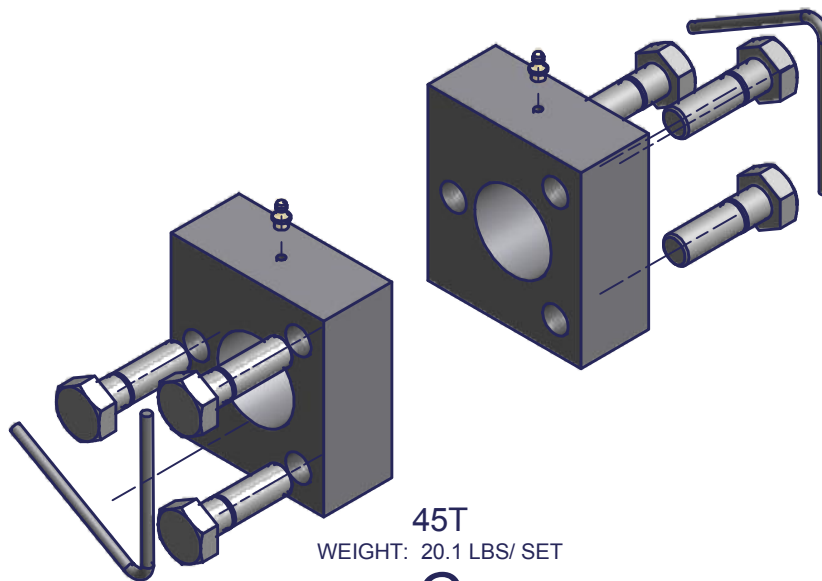
8T & 35T  
WEIGHT: 16.7 LBS/ SET

A



24T  
WEIGHT: 17.1 LBS/ SET

B



45T  
WEIGHT: 20.1 LBS/ SET

C



OCTOBER 2016

PART:

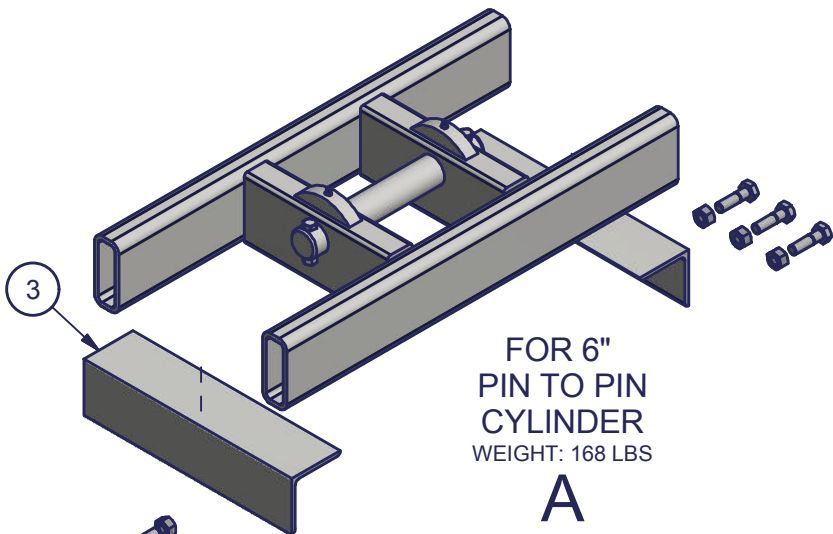
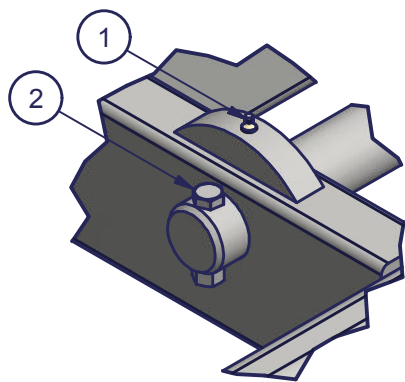
200

TITLE:

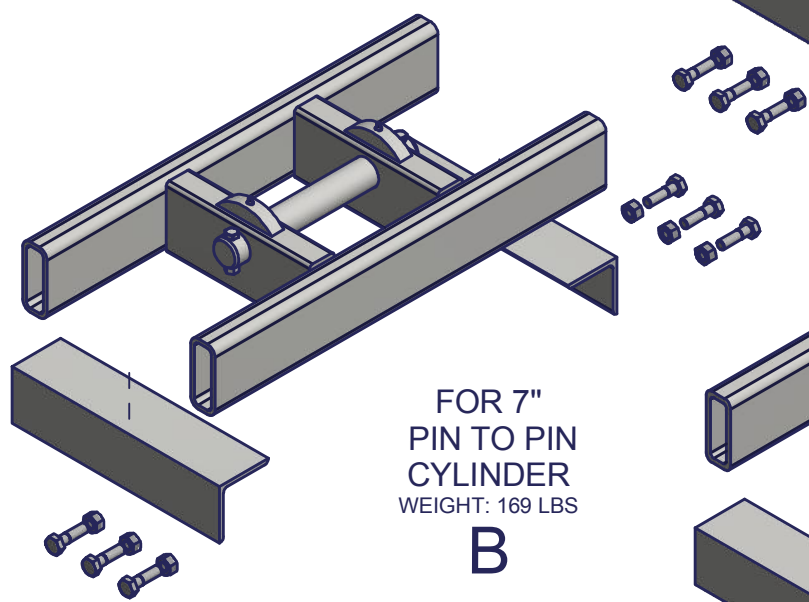
CRADLE BLOCK KIT  
(OLD STYLE CRADLE)

## PART # 200 - CRADLE BLOCK KIT (OLD STYLE CRADLE)

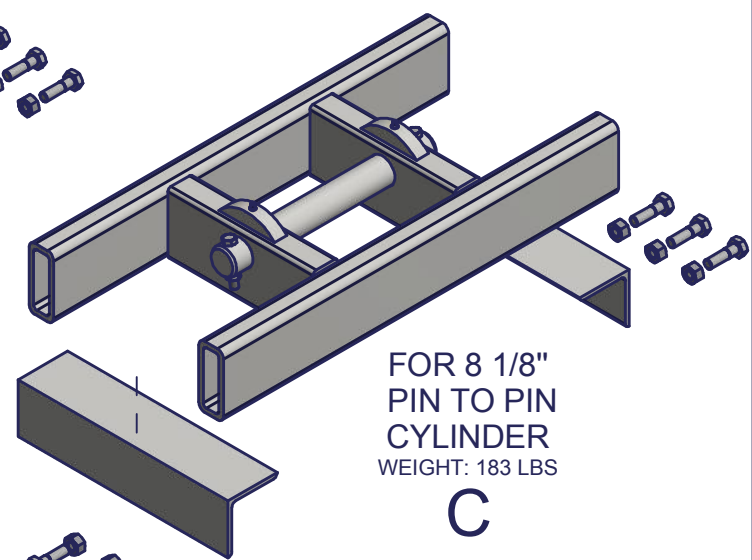
ITEM	DESCRIPTION	# BEAU-ROC	
<b>A</b>	<b>CRADLE BLOCK KIT 8T &amp; 35T</b> <i>(4 1/2" WIDE X 4" HIGH X 2" THICK)</i>	<b>200-08-35T</b>	
<b>B</b>	<b>CRADLE BLOCK KIT 24T</b> <i>(4 1/2" WIDE X 4" HIGH X 2" THICK WITH 5/8" SLEEVE)</i>	<b>200-20-24T</b>	
A-B	<b>HARDWARE KIT 200-1</b>	<b>HW-200-1</b>	p.135
<b>C</b>	<b>CRADLE BLOCK KIT 45T</b> <i>(4 1/2" WIDE X 5" HIGH X 2" THICK)</i>	<b>200-40-45T</b>	
C	<b>HARDWARE KIT 200-2</b>	<b>HW-200-2</b>	p.135
	<i><b>COMMON PARTS</b></i>		
1	GREASE FITTING 5/16" DRIVE TYPE	GF-3125-DT	



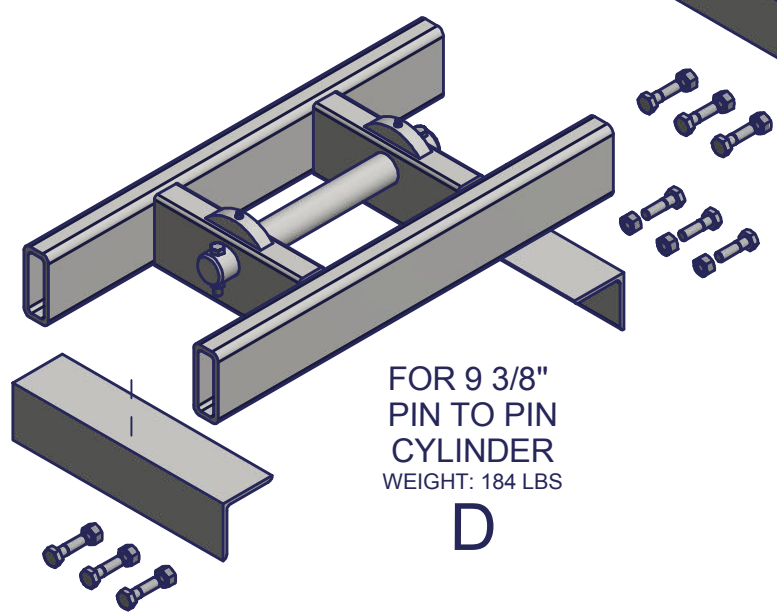
FOR 6"  
PIN TO PIN  
CYLINDER  
WEIGHT: 168 LBS  
**A**



FOR 7"  
PIN TO PIN  
CYLINDER  
WEIGHT: 169 LBS  
**B**



FOR 8 1/8"  
PIN TO PIN  
CYLINDER  
WEIGHT: 183 LBS  
**C**



FOR 9 3/8"  
PIN TO PIN  
CYLINDER  
WEIGHT: 184 LBS  
**D**

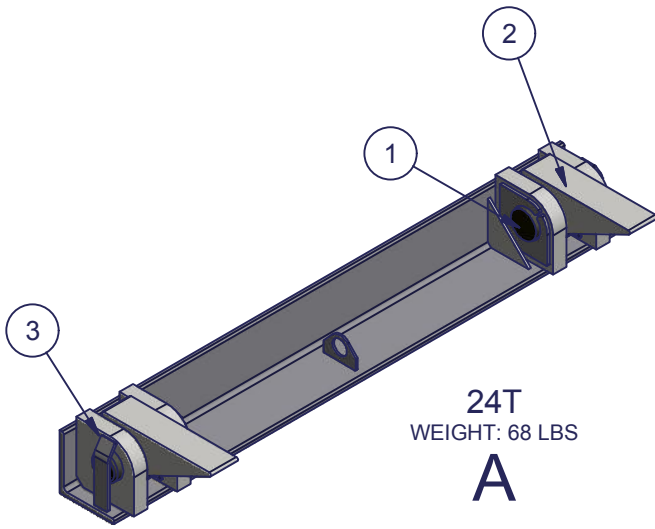


PART:  
**202**

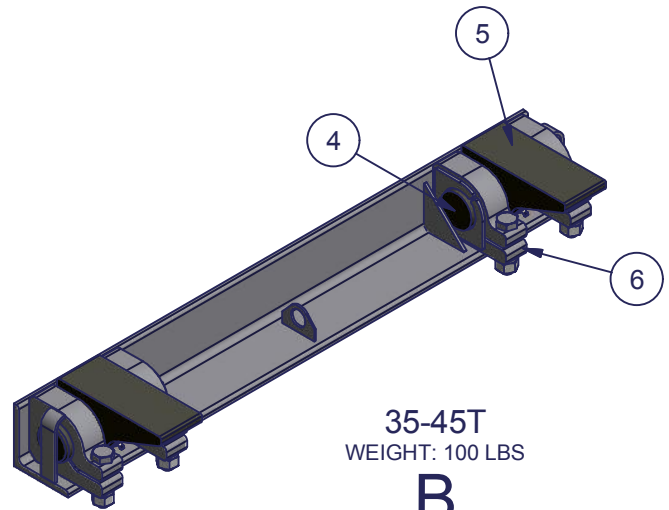
TITLE:  
**DUMP BODY CRADLE KIT  
(PIN TO PIN CYLINDER)**

## PART # 202 - DUMP BODY CRADLE KIT *(PIN TO PIN CYLINDER)*

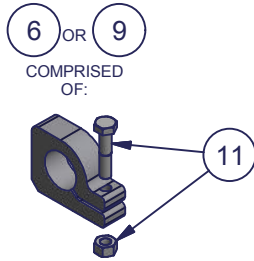
ITEM	DESCRIPTION	# BEAU-ROC	
<b>A</b>	<b>DUMP BODY CRADLE KIT FOR 6" DIA. CYLINDER</b> <i>SHAFT (2" DIA. X 14" LONG)</i>	<b>202-6.000</b>	
<b>B</b>	<b>DUMP BODY CRADLE KIT FOR 7" DIA. CYLINDER</b> <i>SHAFT (2" DIA. X 15" LONG)</i>	<b>202-7.000</b>	
<b>C</b>	<b>DUMP BODY CRADLE KIT FOR 8 1/8" DIA. CYLINDER</b> <i>SHAFT (2" DIA. X 16 1/2" LONG)</i>	<b>202-8.125</b>	
<b>D</b>	<b>DUMP BODY CRADLE KIT FOR 9 3/8" DIA. CYLINDER</b> <i>SHAFT (2" DIA. X 17 7/8" LONG)</i>	<b>202-9.375</b>	
<b>COMMON PARTS</b>			
1	GREASE FITTING 5/16" DRIVE TYPE	GF-3125-DT	
2	<b>HARDWARE KIT 202-1</b>	<b>HW-202-1</b>	<b>p.135</b>
3	ANGLE IRON KIT 45-55T <i>(17" LONG, 4" X 4" X 3/8")</i>	201-45-50-02	
-	<b>HARDWARE KIT 201-(202)-1</b>	<b>HW-201-1</b>	<b>p.135</b>



24T  
WEIGHT: 68 LBS  
**A**

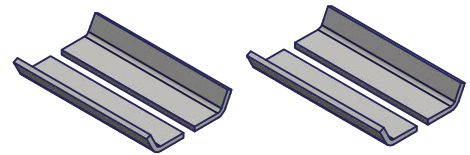


35-45T  
WEIGHT: 100 LBS  
**B**



50T - HEAVY DUTY  
WEIGHT: 149 LBS  
**C**

\* INCLUDED WITH ALL DUMP BODIES \*  
WITH REGULAR SILLS



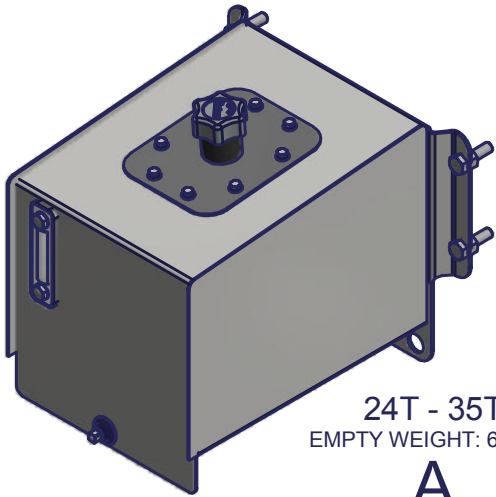
WEIGHT: 9.8 LBS/SET  
**D**



ALL PINS HINGES (35T & UP)  
TEMPERED STEEL PARTS

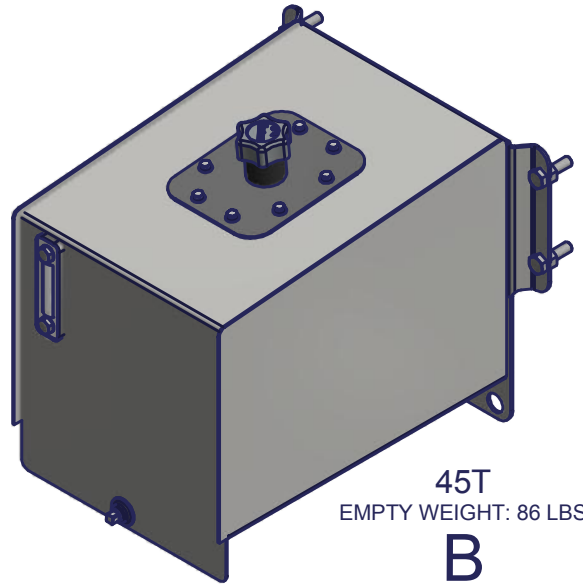
## PART # 185 - DUMP BODY HINGE KIT

ITEM	DESCRIPTION	# BEAU-ROC	
<b>A</b>	<b>DUMP BODY HINGE KIT 24T</b>	<b>185-20-24T</b>	
1	HINGE PIN 24T <i>(1 7/8" DIA. X 5 1/8")</i>	185-20-24-02X	
2	HINGE UPPER PIVOT 24T <i>(2" THICK X 7 7/8")</i>	185-20-24-04	
3	FIXED HINGE 24T <i>(1" THICK X 4 1/4")</i>	185-20-24-05	
<b>B</b>	<b>DUMP BODY HINGE KIT 35-45T</b>	<b>185-35-45T</b>	
4	HINGE PIN 35-45T <i>(2 1/4" DIA. X 7 1/8")</i>	185-35-45-02X	
5	HINGE UPPER PIVOT 35-45T <i>(3" THICK X 7 5/8")</i>	185-35-45-04	
6	FIXED HINGE 35-45T WITH BOLT & NUT <i>(1 1/2" THICK X 4")</i>	185-35-45-05X	
<b>C</b>	<b>DUMP BODY HINGE KIT 50-55T - HEAVY DUTY</b>	<b>185-50T</b>	
7	HINGE PIN 50-55T <i>(2 1/4" DIA. X 8 1/8")</i>	185-50-02X	
8	HINGE UPPER PIVOT 50-55T <i>(4" THICK X 9 3/4")</i>	185-50-04	
9	FIXED HINGE 50-55T WITH BOLT & NUT <i>(1 1/2" THICK X 5")</i>	185-50-05X	
	<b>COMMON PARTS B-C</b>		
11	<b>HARDWARE KIT 185-1 (35-55T)</b>	<b>HW-185-1</b>	<b>p.135</b>
<b>D</b>	<b>LONG MEMBER REINFORCEMENT KIT <i>(2 PIECES/SIDE)</i></b>	<b>185-08-50-02X</b>	
	<b>COMMON PARTS</b>		
10	GREASE FITTING 1/4"-28 STRAIGHT	GF-25-28-S	



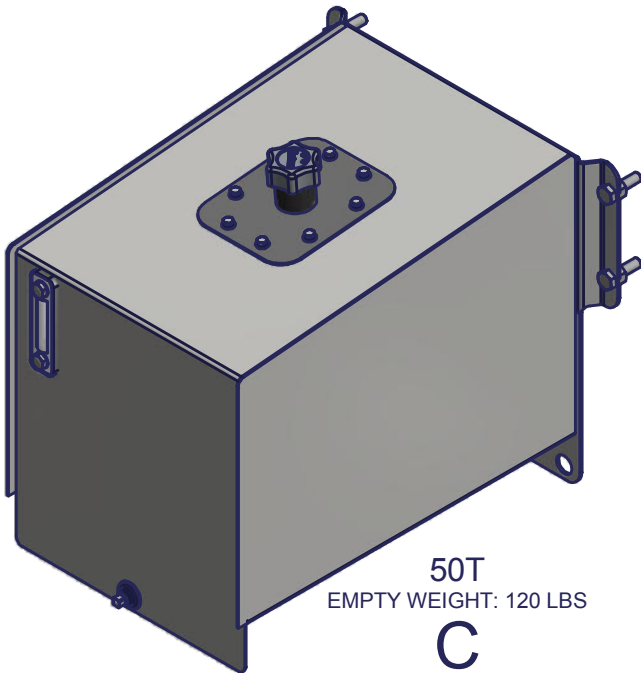
24T - 35T  
EMPTY WEIGHT: 64 LBS

A



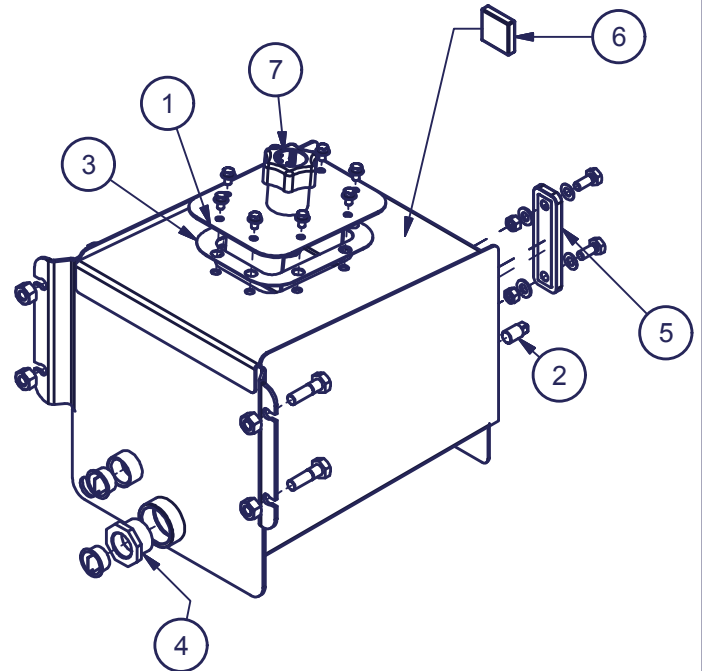
45T  
EMPTY WEIGHT: 86 LBS

B

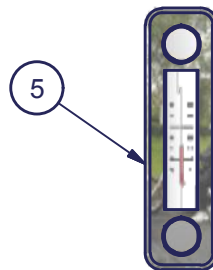
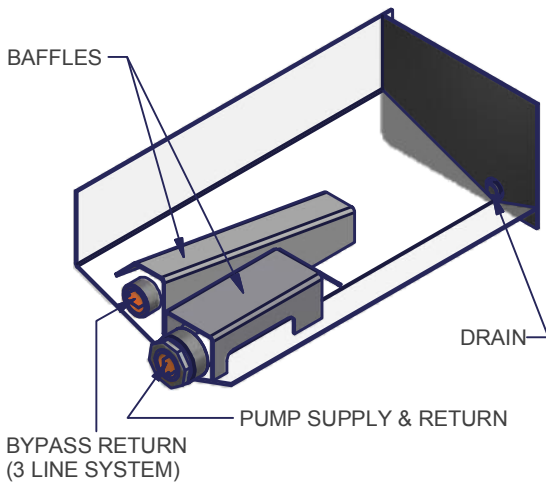


50T  
EMPTY WEIGHT: 120 LBS

C



**BAFFLES CONFIGURATION**

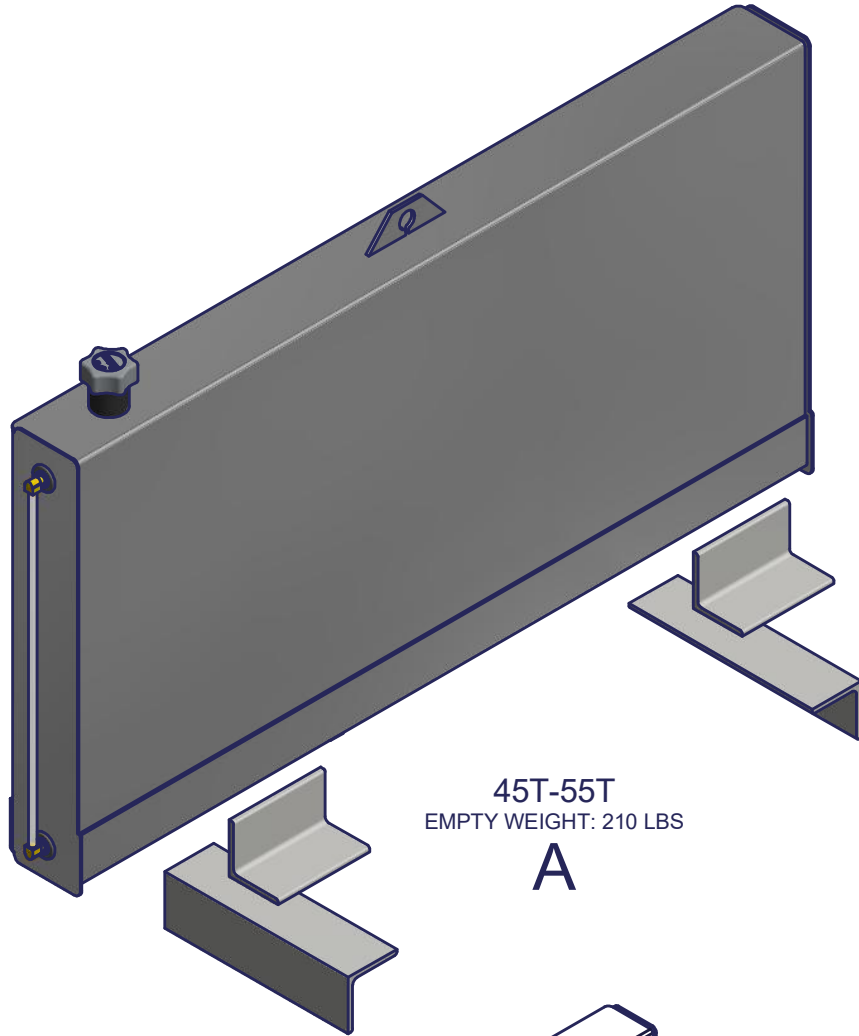


## PART # 230A - OIL TANK KIT

ITEM	DESCRIPTION	# BEAU-ROC	
<b>A</b>	<b>OIL TANK KIT 24-35T</b> 46 LITRES: 12.3 US GALLONS: 10.3 CAN GALLONS DIMENSIONS: 20 1/2"L X 14 3/4"W X 15 3/8"H	<b>230A-24-35T</b>	
<b>B</b>	<b>OIL TANK KIT 45T</b> 81 LITRES: 21.4 US GALLONS: 17.9 CAN GALLONS DIMENSIONS: 24 1/2"L X 16 3/4"W X 18 3/16"H	<b>230A-45T</b>	
<b>C</b>	<b>OIL TANK KIT 50T-55T</b> 128 LITRES: 33.8 US GALLONS: 28.2 CAN GALLONS DIMENSIONS: 28 1/2"L X 18 3/4"W X 21 1/16"H	<b>230A-50T</b>	
	<b>COMMON PARTS</b>		
1	ANTI-SPLASH COVER	230A-01X	
2	1/2" NPT DRAIN PLUG	230-03	
3	ANTI-SPLASH CORK GASKET	230A-01-05	
4	REDUCER (2" TO 1 1/4")	900-08-45-05	
5	SIGHT & TEMPERATURE GAUGE	230-65	
6	MAGNET	M1X1-025	
7	STEEL TANK CAP ASSEMBLY WITH FILTER	230A-04	
-	<b>HARDWARE KIT 230A</b>	<b>HW-230A-1</b>	<b>p.135</b>
	COMPLETE ACCESSORY KIT 230A (INCLUDES: BOLTS & NUTS, SIGHT GAUGE, GASKET, PLUGS & REDUCER)	230A-03X	
	<b>DISCONTINUED PARTS</b>		
8	TANK COVER CAP WITH FILTER (OLD)	230-02	

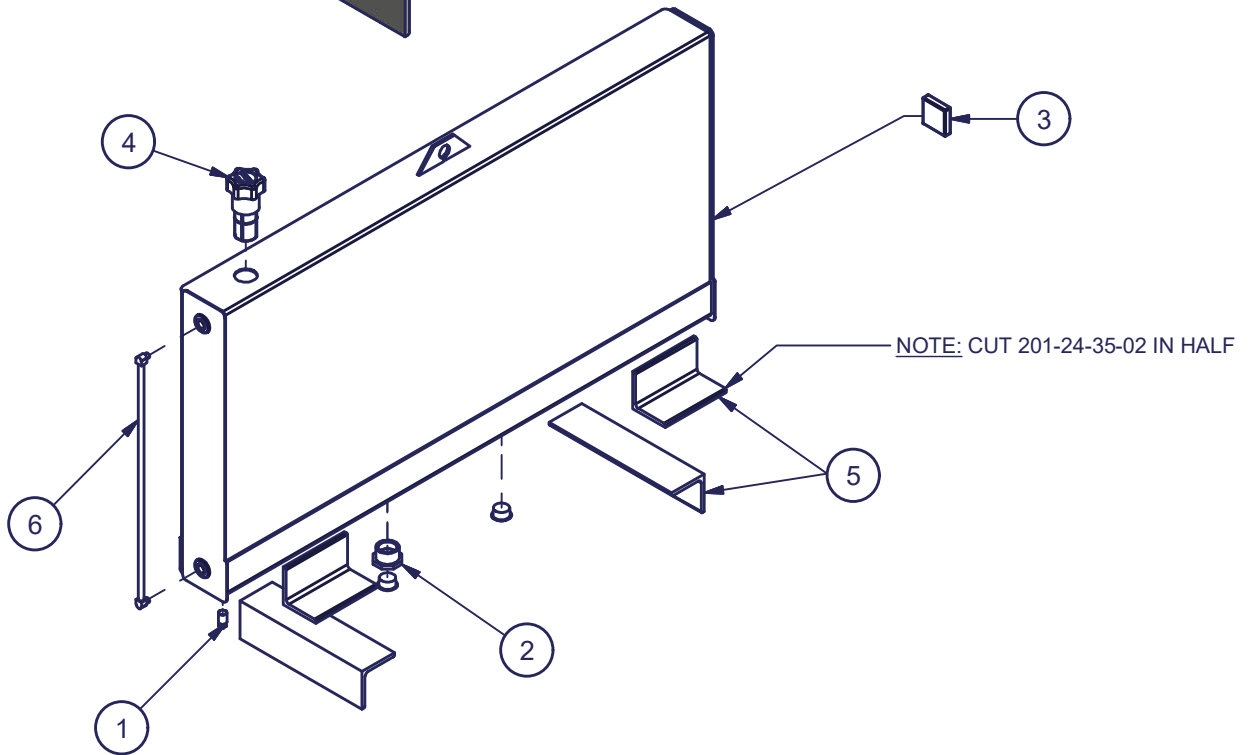
**PARTS AND ACCESSORIES**

**SEPTEMBER 2016**



45T-55T  
EMPTY WEIGHT: 210 LBS

A



OCTOBER 2016

PART:

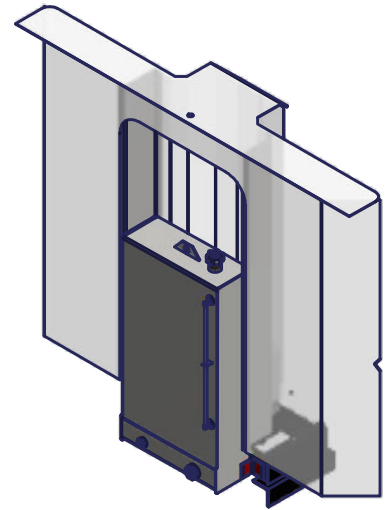
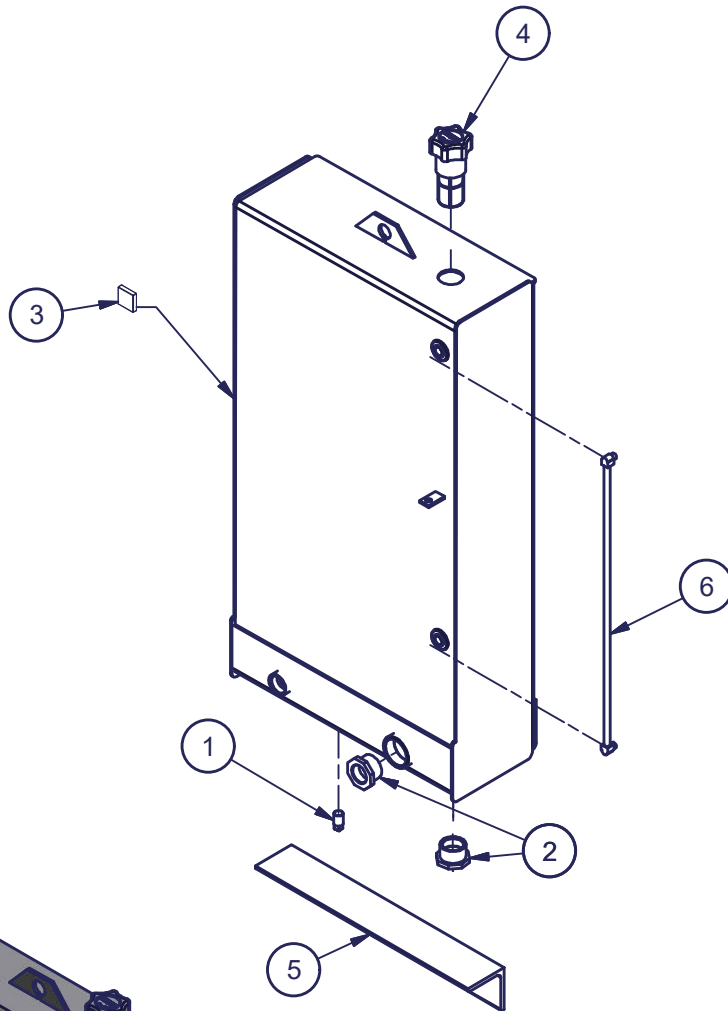
231A

TITLE:

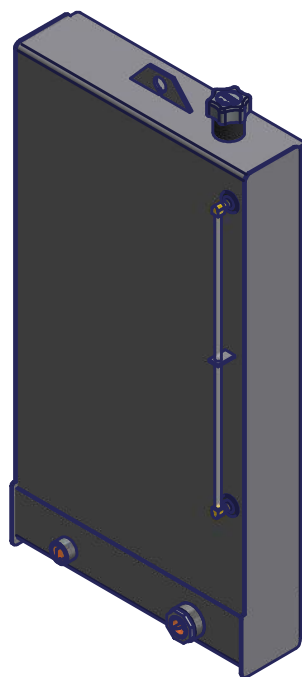
FLAT OIL TANK

# PART # 231A - FLAT OIL TANK 45T-55T

ITEM	DESCRIPTION	# BEAU-ROC	
<b>A</b>	<b>FLAT OIL TANK 45-55T</b> 130 LITRES: 34.5 US GALLONS: 28.7 CAN GALLONS DIMENSIONS: 60"L X 5 1/2"W X 30"H	<b>231A-45-55T</b>	
1	1/2" NPT DRAIN PLUG	230-03	
2	REDUCER (2" TO 1 1/4")	900-08-45-05	
3	MAGNET	M1X1-025	
4	STEEL TANK COVER CAP ASSEMBLY WITH FILTER	230A-04	
5	ANGLE IRON KIT (15" LONG, 4" X 4" X 3/8") (QTY=3)	201-24-35-02X3	
6	HOSE & FITTINGS KIT ( 1/2" DIA. X 25 1/8" LONG)	231B-02X	

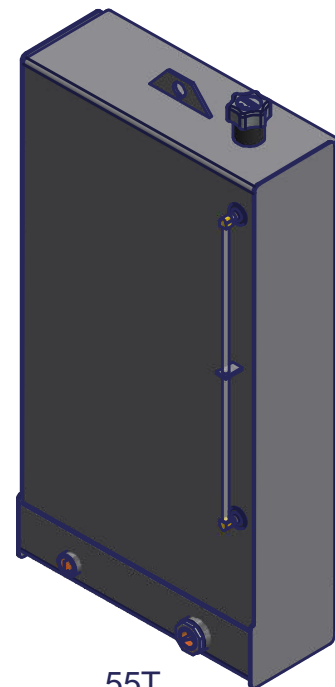


ASSEMBLED VIEW



45T  
EMPTY WEIGHT: 185 LB

**B**



55T  
EMPTY WEIGHT: 230 LB

**C**

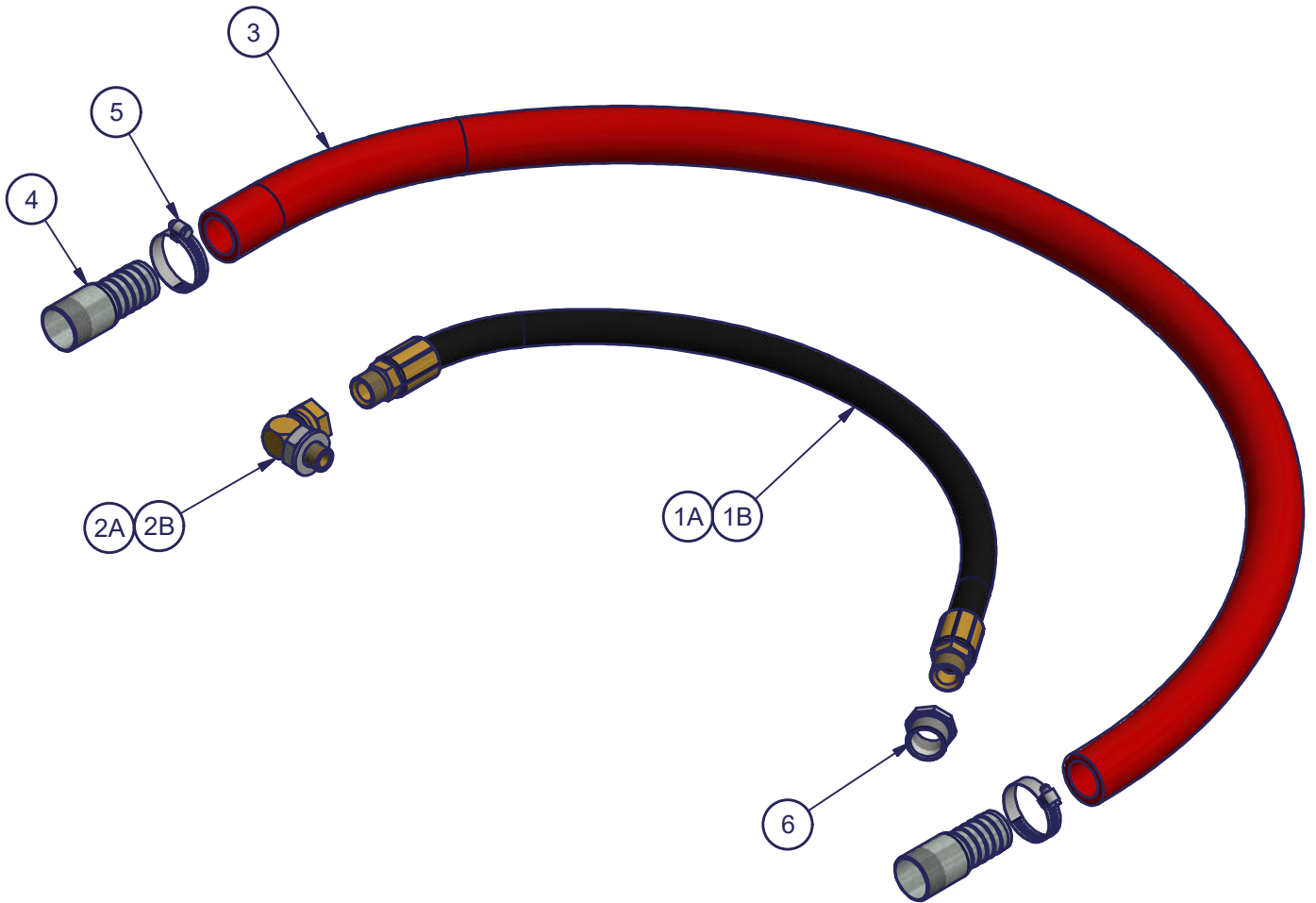


PART:  
**231B**

TITLE:  
**SLIM LINE TANK 45T-55T**

### PART # 231B - SLIM LINE TANK 45T

ITEM	DESCRIPTION	# BEAU-ROC	
<b>B</b>	<b>SLIM LINE TANK 45T</b> 81 LITRES: 21.4 US GALLONS: 17.9 CAN GALLONS DIMENSIONS: 24 5/16"L X 6 15/16"W X 45 11/16"H	<b>231B-45T</b>	
<b>C</b>	<b>SLIM LINE TANK 55T</b> 132.5 LITRES: 35 US GALLONS: 29.1 CAN GALLONS DIMENSIONS: 24 5/16"L X 8 11/16"W X 45 11/16"H	<b>231B-55T</b>	
1	1/2" NPT DRAIN PLUG	230-03	
2	REDUCER (2" TO 1 1/4")	900-08-45-05	
3	MAGNET	M1X1-025	
4	STEEL TANK COVER CAP ASSEMBLY WITH FILTER (NEW)	230A-04	
5	ANGLE IRON (24" LONG, 4" X 4" X 3/8")	231B-24-4X4	
6	HOSE & FITTINGS KIT ( 1/2" DIA. X 26 7/8" LONG)	231B-02X	



**A: 24 - 35T KIT**      WEIGHT: 9 1/2 LBS

**B: 45 - 55T KIT**      WEIGHT: 11 LBS



OCTOBER 2016

PART:

**900**

TITLE:

**HYDRAULIC CONNECTION KIT**

## PART # 900 - HYDRAULIC CONNECTION KIT

ITEM	DESCRIPTION	# BEAU-ROC	
<b>A</b>	<b>HYDRAULIC CONNECTION KIT 24-35T</b>	<b>900-20-35T</b>	
1A	PRESSURE HOSE 8-35T ( <i>3/4" DIA. X 64" LONG</i> )	900-08-35-04	
2A	1-1/16" O-RING 3/4" SWIVEL 90 DEGREE ELBOW MALE 24-35T	900-24-35-03	
6	ADAPTER 8-35T ( <i>1" TO 1 1/4"</i> )	900-08-35-05	
<b>B</b>	<b>HYDRAULIC CONNECTION KIT 45-55T</b>	<b>900-40-50T</b>	
1B	PRESSURE HOSE 45-55T ( <i>1" DIA. X 64" LONG</i> )	900-40-45-04	
2B	1-5/16" O-RING 1" SWIVEL 90 DEGREE ELBOW MALE 45-55T	900-40-50-03	
<b><i>COMMON PARTS</i></b>			
3	SUCTION HOSE 8-55T ( <i>1 1/4" DIA. X 120" LONG</i> )	900-08-45-08	
4	MALE ADAPTER 8-55T ( <i>1 1/4" DIA.</i> )	1000-300M	
5	COLLAR 8-55T ( <i>2" DIA.</i> )	2000-C	

## HARDWARE - MOUNTING KITS & TANKS

DESCRIPTION	QTY / KIT	# BEAU-ROC	
<b>HARDWARE KIT 185-1 (35-55T)</b>		<b>HW-185-1</b>	
HEX BOLT 5/8-18 UNF X 3 GRADE 8	4	HB18625-300-8	
NYLON LOCK NUT 5/8-18 UNF	4	NL18625	
<b>HARDWARE KIT 200-1</b>		<b>HW-200-1</b>	
HEX BOLT 3/4-16 UNF X 2 ½ GRADE 5	4	HB1675-250-5	
LOCKING ROD 8-35T (TWO BOLTS)	2	200-06-35-06	
<b>HARDWARE KIT 200-2</b>		<b>HW-200-2</b>	
HEX BOLT 3/4-16 UNF X 2 ½ GRADE 5	6	HB1675-250-5	
LOCKING ROD 45T (THREE BOLTS)	2	200-40-45-06	
<b>HARDWARE KIT 201-(202)-1</b>		<b>HW-201-1</b>	
HEX BOLT 5/8-18 UNF X 2 1/4 GRADE 8	6	HB18625-225-8	
NYLON LOCK NUT 5/8-18 UNF	6	NL18625	
<b>HARDWARE KIT 201-2A (8-35T)</b>		<b>HW-201-2A</b>	
HEX BOLT 5/8-18 UNF X 5 GRADE 5	4	HB18625-500-5	
NYLON LOCK NUT 5/8-18 UNF	4	NL18625	
<b>HARDWARE KIT 201-2B (45-55T)</b>		<b>HW-201-2B</b>	
HEX BOLT 3/4-16 UNF X 6 GRADE 5	4	HB1675-600-5	
NYLON LOCK NUT 3/4-16 UNF	4	NL1675	
<b>HARDWARE KIT 202-1</b>		<b>HW-202-1</b>	
HEX BOLT 1/2-13 UNC X 3 GRADE 5	2	HB1350-300-5	
HEX NUT 1/2-13 UNC	2	HN1350	
<b>HARDWARE KIT 205-1 (8-35T)</b>		<b>HW-205-1</b>	
HEX BOLT 3/4-16 UNF X 1 ½ GRADE 5	4	HB1675-150-5	
LOCKING ROD 8-35T (TWO BOLTS)	2	200-06-35-06	
<b>HARDWARE KIT 205-2 (45-50T)</b>		<b>HW-205-2</b>	
HEX BOLT 3/4-16 UNF X 2 GRADE 5	6	HB1675-200-5	
LOCKING ROD 45T (THREE BOLTS)	2	200-40-45-06	
<b>HARDWARE KIT 206</b>		<b>HW-206-1</b>	
HEX BOLT 1-14 UNF X 2 1/2 GRADE 8	4	HB14100-250-8	
NYLON LOCK NUT 1-14 UNF	4	NL14100	
<b>HARDWARE KIT 230A</b>		<b>HW-230A-1</b>	
HEX BOLT 5/8-18 UNF X 2 1/4 GRADE 8	4	HB18625-225-8	
NYLON LOCK NUT 5/8-18 UNF	4	NL18625	

**PARTS AND ACCESSORIES**

**SEPTEMBER 2016**





**ROUTINE MAINTENANCE REQUIRED**  
Failure to follow the recommended operating procedures may result in serious property damage and/or personal injury or death.

- (1) Ensure that all mounting blocks and bolts that hold the cylinder to the body are secure, and not worn.
- (2) Ensure that all mounting blocks and bolts that hold the cylinder to the truck are secure, and not worn.
- (3) Ensure that the gland nut at the top of each tube is tight and secured.
- (4) Ensure that all hoses and fittings are in good condition and are secured out of traffic ways.
- (5) Report any leaks or excessive wear.
- (6) Consult operator's manual, user's manual, and cover operating collar level 1.

FOR ADDITIONAL INFO:  
[www.mailhot.com](http://www.mailhot.com)

**AVERTISSEMENT  
ENTRETIEN PERIODEQUE  
NECESSAIRE**

Ne pas négliger les opérations de maintenance périodique ou l'état de bon fonctionnement des blocs de montage et des boulons.

- (1) S'assurer que les blocs d'attache et les boulons sont solidement fixés à la benne et au corps de cylindre.
- (2) S'assurer que les blocs d'attache et les boulons qui retiennent le vérin au camion sont solidement fixés et ne sont pas endommagés.
- (3) S'assurer que les glandes situées au haut de chaque tube du vérin sont bien serrées et bien sécurisées.
- (4) S'assurer que tous les tuyaux et adaptateurs hydrauliques sont en bonne condition et placés de façon sécuritaire.
- (5) Les parties les plus sensibles pour tout signe d'usure excessive.
- (6) Consulter le manuel de l'utilisateur, le manuel utilisateur et le chapitre "Niveau de maintenance" de la notice.

INFORMATION:  
[www.mailhot.com](http://www.mailhot.com)

**MAILHOT**  
DISTRIBUTION

**AVERTISSEMENT**

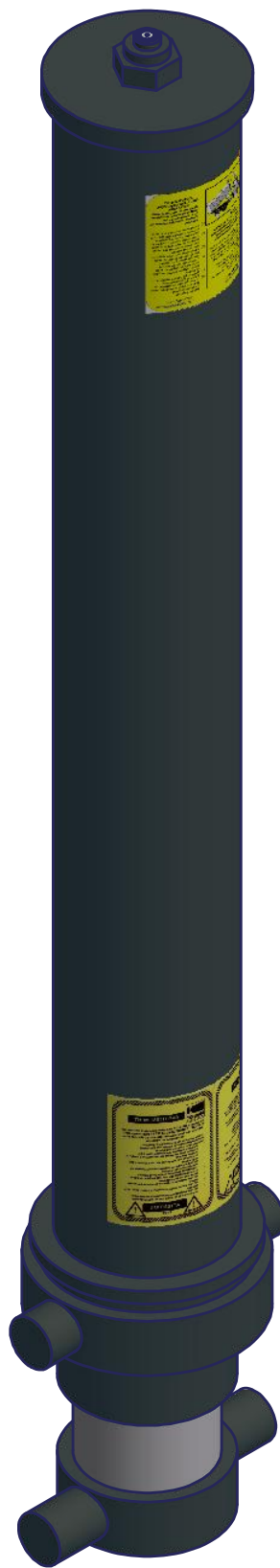
Ce vérin NE ST PAS un SUPPORT STRUCTUREL NI conçu pour prévenir les mouvements latéraux ou donner plus de stabilité au véhicule.

Droites de suivi les procédures d'opération recommandées pour éviter tout dommage corporel et/ou matériel.

- Lire attentivement l'opérateur 2000 D.S.L.
- Lire attentivement le mode de fabrication ("read") à chaque montage.
- Lire attentivement les pages de ce site (l'ordre C ou CS = simple action seulement).
- NE PAS modifier les réglages recommandés du ressort actionné de la benne.
- TOUTES les modifications à la charge doivent être faites par un technicien qualifié.
- NE PAS passer que des moments lorsque les tubes se démontent.
- NE PAS utiliser le vérin à la charge maximale.
- NE PAS utiliser le vérin à la charge maximale.
- Pour un entretien, s'adresser à un vérificateur, mécanicien ou autre spécialiste du camion.

[www.mailhot.com](http://www.mailhot.com)

**ATTENTION**



## PART # 500 - MAILHOT TELESCOPIC CYLINDER "M" & "G3" SERIES

(POWER UP - GRAVITY DOWN BORE SEAL)

TON	DESCRIPTION	# BEAU-ROC	WEIGHT	OIL CAPACITY
<b>24T</b>	<b>"M" SERIES CYLINDER</b>	<b>M90-4.5-3</b>	230 lbs	4.2 USG
		<b>M100-4.5-3</b>	227 lbs	4.3 USG
		<b>M110-4.5-3</b>	260 lbs	5.1 USG
		<b>M120-4.5-3</b>	258 lbs	5.3 USG
		<b>M135-4.5-3</b>	304 lbs	6.2 USG
		<b>M150-4.5-3</b>	299 lbs	6.5 USG
		<b>35T</b>	<b>"G3" SERIES CYLINDER</b>	<b>G3-100-5-3</b>
<b>G3-110-5-3</b>	333 lbs	8.3 USG		
<b>G3-120-5-3</b>	334 lbs	8.7 USG		
<b>G3-130-5-3</b>	335 lbs	9.1 USG		
<b>G3-140-5-3</b>	353 lbs	9.8 USG		
<b>G3-150-5-4</b>	355 lbs	9.7 USG		
<b>G3-160-5-4</b>	355 lbs	10.1 USG		
<b>G3-170-5-4</b>	355 lbs	10.4 USG		
<b>45T</b>	<b>"G3" SERIES CYLINDER</b>	<b>G3-135-5.7-3</b>	437 lbs	13.0 USG
		<b>G3-150-5.7-4</b>	472 lbs	13.8 USG
		<b>G3-160-5.7-4</b>	472 lbs	14.3 USG
		<b>G3-170-5.7-4</b>	472 lbs	14.8 USG
		<b>G3-180-5.7-4</b>	472 lbs	15.2 USG
		<b>G3-203-5.7-5</b>	484 lbs	15.5 USG
<b>55T</b>	<b>"G3" SERIES CYLINDER</b>	<b>G3-175-6.7-4</b>	648 lbs	21.0 USG
		<b>G3-185-6.7-4</b>	648 lbs	21.6 USG
		<b>G3-195-6.7-4</b>	648 lbs	22.5 USG
	<u>Note:</u> G3 cylinders -> 4 years warranty			
	M cylinders -> 2 years warranty			

**PARTS AND ACCESSORIES**

**MAY 2018**

**WARNING**  
**ROUTINE MAINTENANCE REQUIRED**  
 Failure to follow the recommended operating procedure may result in serious property damage or personal injury or death.

- Ensure that all mounting blocks and bolts that hold the cylinder to the truck are secure, and perform:
- Ensure that all mounting blocks and bolts that hold the cylinder to the truck are secure, and perform:
- Ensure that the gland nuts at the top of each tube are tight and secure.
- Ensure that all hoses and fittings are in good condition and are secured out of traffic way.
- Inspect hose length for excessive wear.
- Inspect cylinder mounting points, rear hinge, and cross-oscillating rollers/work.

FOR ADDITIONAL INFO:  
[www.mailhot.com](http://www.mailhot.com)

**AVERTISSEMENT**  
**ESTRIET EN PERMANENCE NECESSAIRE**  
 Ne pas négliger cette procédure de vérification pour éviter un endommagement des biens ou des personnes ou blessures corporelles graves ou mortelles.

- S'assurer que les blocs de montage et les écrous sont correctement fixés. Les blocs et les écrous ne sont pas endommagés.
- S'assurer que les blocs de montage et les écrous qui retiennent le cylindre au camion sont correctement fixés et ne sont pas endommagés.
- S'assurer que les glandes situées au haut de chaque tube sont bien serrées et bien en place.
- S'assurer que tous les tubes et adaptations hydrauliques sont en bonne condition et placés de façon sécuritaire.
- Les points de montage doivent être vérifiés et sécurisés.
- Contrôler le bloc de montage, les points de montage et le capot du vérin à l'échelle annuelle.

INFORMATIONS:  
[www.mailhot.com](http://www.mailhot.com)

**MAILHOT**  
**AVERTISSEMENT**

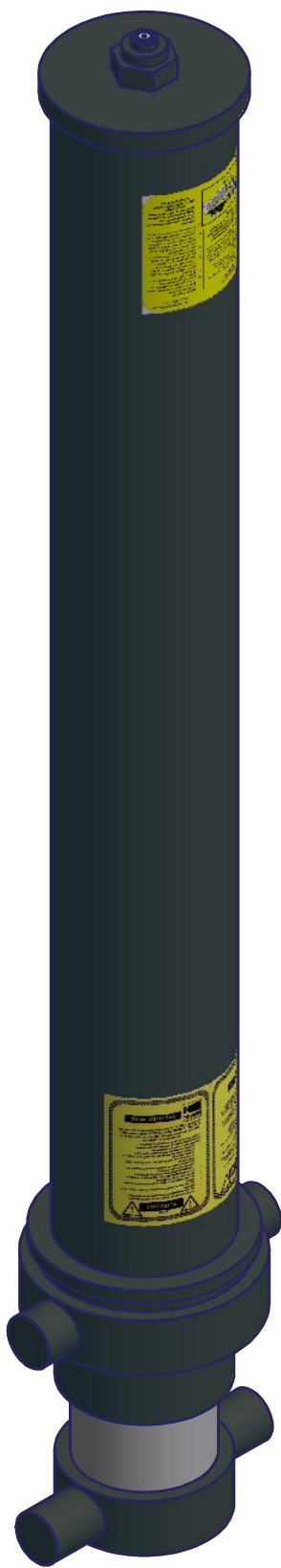
Ce vérin NE ST PAS un SUPPORT STRUCTUREL ni conçu pour prévenir les risques de latéral ou d'inclinaison plus de stabilité au véhicule.

Quelque soit les procédures d'installation recommandées pour éviter des dommages, respectez toujours les précautions:

- Pression maximale de pression: 2000 P.S.I.
- Utiliser les supports de tubulures ("crabs") à chaque section.
- Le vérin doit être grappé de son site d'offshore: C ou ES (simple ou double utilisation).
- NE PAS excéder les dimensions recommandées de l'installation. Suivre les instructions.
- TRUQUER: Suivre les charges indiquées.
- Le vérin BOTT doit être une seule extrémité et installer de façon appropriée.
- NE PAS grappeler sans utiliser les grappes homologuées.
- NE PAS tirer la barre de grappage à des vitesses élevées.
- NE PAS ARRÊTER de grappage à tout moment pendant la traction.
- Il n'est pas permis d'aligner et d'installer, recommander, conseiller ou de louer et se.

[www.mailhot.com](http://www.mailhot.com)

**ATTENTION**







**AVERTISSEMENT  
ENTRETIEN PERIODIQUE  
NECESSAIRE**  
Ne pas négliger cette procédure sous  
peine de blesses graves ou de la mort  
des personnes. Lire attentivement les  
instructions concernant l'entretien et  
sécurité.

**WARNING  
ROUTINE MAINTENANCE REQUIRED**  
Failure to follow the recommended operating  
procedures may result in serious property  
damage or/and personal injuries or death.

- (1) Ensure that all mounting bolts and bolts that hold the cylinder to the truck are secure, and not worn.
- (2) Ensure that all mounting bolts and bolts that hold the cylinder to the truck are secure, and not worn.
- (3) Ensure that the clear hole at the top of each tube are tight and secured.
- (4) Ensure that all hoses and fittings are in good condition and are secured out of harm's way to prevent any trips for anyone using.
- (5) Check cylinder mounting points, row rings, and cross-bridging if applicable.

FOR ADDITIONAL INFO:  
[www.mailhotusa.com](http://www.mailhotusa.com)

**INFORMATIONS:**  
[www.mailhotusa.com](http://www.mailhotusa.com)



**AVERTISSEMENT**

Ce poids NE ST PAS un SUPPORT STRUCTUREL. Il est conçu pour préserver les mécanismes faits au cas donner plus de stabilité au véhicule.

On ne doit pas utiliser ce procédé d'opération en continu pour éviter de compromettre la stabilité du véhicule.

- Prenez toujours l'équipement 2000 P.S.L.
- Utilisez toujours une habilitation ("certif") si il s'agit de travaux.
- Levez le bras des poutres de levage C ou CS à angle zéro (verticalment).
- NE PAS travailler à l'opposé du mécanisme de levage.
- TOUJOURS travailler à l'angle zéro.
- Le poids de l'équipement ne doit pas dépasser la capacité de charge.
- NE PAS travailler avec un bras levé à l'angle zéro.
- NE PAS lever le bras lorsqu'il a le vent fort.
- NE PAS travailler à l'opposé du mécanisme de levage.
- Tous les autres détails et spécifications sont indiqués dans le manuel.

**ATTENTION**



**BEAU-ROC**  
INC.  
OCTOBER 2016

PART:  
**503**

TITLE:  
**MAILHOT TELESCOPIC CYLINDER  
"CS" SERIES-DOUBLE ACTING**



**PART # 503 - MAILHOT TELESCOPIC CYLINDER "CS WITH COVER"**

DOUBLE ACTING SERIES

TON	DESCRIPTION	# BEAU-ROC	WEIGHT	OIL CAPACITY
24T	"CS" SERIES CYLINDER DOUBLE ACTING WITH COVER	CS90-4-2DA*	229 lbs	6.0 USG
		CS80-4.5-3DA	214 lbs	4.2 USG
		CS90-4.5-3DA	214 lbs	4.4 USG
		CS100-4.5-3DA	214 lbs	4.6 USG
35T	"CS" SERIES CYLINDER DOUBLE ACTING WITH COVER	CS110-5.5-3DA	325 lbs	9.3 USG
		CS120-5.5-3DA	326 lbs	9.7 USG
		CS130-5.5-3DA	327 lbs	10.0 USG
		CS140-5.5-3DA	345 lbs	11.0 USG
45T	"CS" SERIES CYLINDER DOUBLE ACTING WITH COVER	CS130-6.5-3DA	434 lbs	16.1 USG
		CS140-6.5-4DA	439 lbs	14.4 USG
		CS150-6.5-4DA	439 lbs	14.8 USG
		CS160-6.5-4DA	439 lbs	15.2 USG
		CS170-6.5-4DA	471 lbs	16.7 USG
	*Note: <u>CS90-4-2DA</u> is double acting on last stage, all the other cylinders are double acting on all stages.			
	Note: CS cylinders -> 2 years warranty			

**PARTS AND ACCESSORIES** **MAY 2018**



## SAFETY INFORMATION

HYDRAULIC CYLINDER FOR DUMPING EQUIPMENT

The following information does not cover any kind of danger or risk in the use of dumping equipment, as the hydraulic cylinder is only a part of the lifting mechanism. Complete and exhaustive information about any type of residual and additional risk should be supplied by the equipment manufacturer.

### WARNING

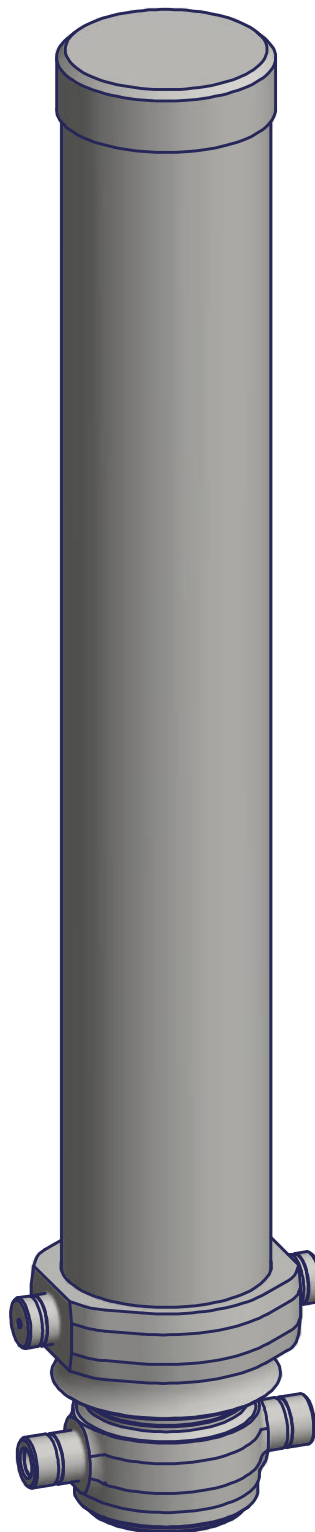
- Do not operate cylinder with personnel or equipment alongside.
- Never work, or stay under a dumping mechanism without taking proper precautions to block or support the dumping structure with something other than the hydraulic cylinder.

### CAUTION

- Always use the equipment within the specified limits. Never overload the dumping equipment. Overloading can result in damages to the equipment and could cause potential tip-overs or other failures.
- The load must be evenly distributed during loading and unloading.
- Uneven terrain, fresh fill, or high wind can cause a potential tip-over of the dumping equipment.
- A jack-knifed position of the truck and trailer is not recommended when dumping. Always align truck and trailer before dumping.
- Do not tamper with, adjust or modify the hydraulic relief valve in the system. Maintenance or adjustment should be performed by a qualified technician when required. Refer to dump body manufacturer for appropriate relief valve setting.
- Do not fully extend the cylinder if the whole load is still in the dump body. As an example, tipping tankers should be raised step by step and only when part of the load has been discharged (always stay within specified thrust/pressure for each stage).
- Do not jerk or slingshot dump unit in an attempt to free a stuck or frozen load. Pulling forward or backing up and hitting the brakes, or lowering the body part way and then quickly engaging the valve in the "hold" or "raise" position will cause a tremendous pressure spike which may bulge or split the cylinder or cause other failures in your system.
- When lowering a load that is sticking, the dump body must be feathered down slowly to avoid a high pressure build up in the cylinder.

⚠ This symbol indicates a hazardous situation which, if not avoided, could result in death or serious injury.

NOTE: Muncie is not liable for damage, and consequential damages, related to lack of compliance with the previous suspension and position. When operating a hydraulic cylinder for maintenance, it is the responsibility of the personnel, operator or end user to verify that correct dimensions, mounting and performance features of the hydraulic cylinder are appropriate for the application.



OCTOBER 2016

PART:

506

TITLE:

MUNCIE TELESCOPIC CYLINDER  
"TRUNNION SERIES"



**PART # 506 - MUNCIE TELESCOPIC CYLINDER (TRUNNION SERIES)**

TON	DESCRIPTION	# BEAU-ROC	WEIGHT	OIL CAPACITY
8T	MUNCIE TRUNNION MOUNT SERIES	MC 82-3.5-3	128 lbs	1.6 USG
	3 1/2" CYLINDER BORE	MC 110-3.5-3	161 lbs	2.2 USG
24T	MUNCIE TRUNNION MOUNT SERIES	MC 90-4.5-3	198 lbs	2.7 USG
	4 1/2" CYLINDER BORE	MC 110-4.5-3	225 lbs	3.3 USG
		MC 120-4.5-3	238 lbs	3.6 USG
35T	MUNCIE TRUNNION MOUNT SERIES	MC 100-5.5-3	286 lbs	6.6 USG
	5 1/2" CYLINDER BORE	MC 121-5.5-3	319 lbs	8.1 USG
		MC 138-5.5-3	356 lbs	9.1 USG
45T	MUNCIE TRUNNION MOUNT SERIES	MC 146-6.5-4	397 lbs	11.4 USG
	6 1/2" CYLINDER BORE	MC 160-6.5-4	431 lbs	12.7 USG
		MC 170-6.5-4	444 lbs	13.5 USG
		MC 180-6.5-4	444 lbs	14.4 USG
55T	MUNCIE TRUNNION MOUNT SERIES	MC 182-7.5-4	667 lbs	19.4 USG
	7 1/2" CYLINDER BORE	MC 194-7.5-4	667 lbs	20.2 USG

\*\*\* CALL BEAU-ROC FOR PRICING \*\*\*

**PARTS AND ACCESSORIES** **APRIL 2018**



# SECTION 3 - TARP KITS & CAB SHIELDS

PART #	DESCRIPTION	PAGE
<b>AIR TARPS</b>		
<b>131-132</b>	AIR TARP KITS - AERO	<b>301-302</b>
<b>131-132</b>	AIR TARP KIT PARTS - AERO	<b>303-304</b>
<b>154-155</b>	AIR TARP KITS - BEAU-ROC	<b>305-306</b>
<b>154-155</b>	AIR TARP KIT PARTS - BEAU-ROC	<b>307-308</b>
<b>ELECTRIC TARPS</b>		
<b>133</b>	ELECTRIC TARP KITS - AERO	<b>309-310</b>
<b>133</b>	ELECTRIC TARP KIT PARTS -AERO	<b>311-312</b>
<b>146-147</b>	ELECTRIC TARP KITS - BEAU-ROC	<b>313-314</b>
<b>146-147</b>	ELECTRIC TARP KIT PARTS - BEAU-ROC	<b>315-316</b>
<b>MANUAL TARPS</b>		
<b>135</b>	MANUAL TARP KITS - AERO	<b>309-310</b>
<b>135</b>	MANUAL TARP KIT PARTS - AERO	<b>311-312</b>
<b>152-156</b>	MANUAL TARP KITS - BEAU-ROC	<b>313-314</b>
<b>152-156</b>	MANUAL TARP KIT PARTS - BEAU-ROC	<b>315-316</b>
<b>OTHER KITS</b>		
<b>138</b>	ANTI-SAIL TARP KIT - AERO	<b>317-318</b>
<b>148</b>	ANTI-SAIL TARP KIT - BEAU-ROC	<b>319-320</b>
<b>149</b>	MANUAL TARP GROUND OPERATION KIT - BEAU-ROC	<b>321-322</b>
<b>153</b>	BOW KIT - BEAU-ROC	<b>323-324</b>
<b>TARPS</b>		
<b>137</b>	STANDARD & ASPHALT MESH	<b>325-326</b>
<b>CAB SHIELDS</b>		
<b>625 @ 627</b>	CAB SHIELDS	<b>327-328</b>



FRONT MOUNT  
WINDSCREEN

OR

CAB MOUNT  
WINDSCREEN

MESH SOLD  
SEPARATELY  
SEE PAGE 326

**131-132**  
**COMPLETE AIR TARP KIT**  
WEIGHT: 250 - 340 LBS



JUNE 2017

PART:

**131 - 132**

TITLE:

**AIR TARP KIT - AERO**

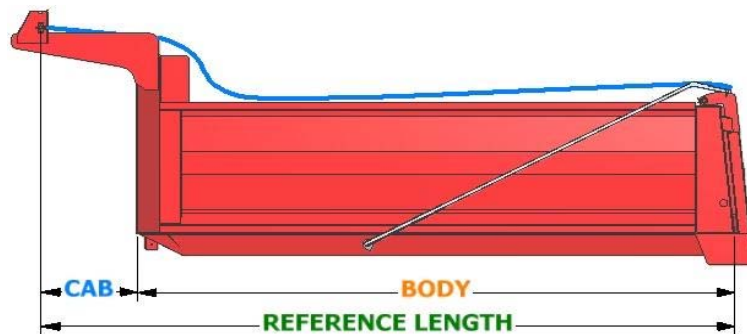
# PART # 131-132 - AIR TARP KITS - AERO

			EXAMPLE:		MY CODE:	
1.	TYPE	DESCRIPTION	CODE		CODE	
	131	Aero air tarp kit	131			
	132	Aero air tarp kit ( <i>universal cabs</i> )	-		-	
2.	WIDTH	+	096			
	096	96" body width ( <i>default</i> )	-		-	
	102	102" body width	21			
3.	REF. LENGTH	+	-		-	
	21	Up to 21' length ( <i>inclusive</i> )	AL			
	25	From 21'6" to 25' length ( <i>inclusive</i> )	D			
4.	ARMS	+	I			
	AL	Aluminum arms & tube	C			
5.	CYLINDER	+				
	D	Double acting cylinder				
	N	No cylinder				
6.	INSTALLATION	+				
	I	Installed				
	N	Non-installed				
7.	WINDSCREEN	+				
	F	Front mount windscreen				
	C	Cab mount windscreen				

CODE:

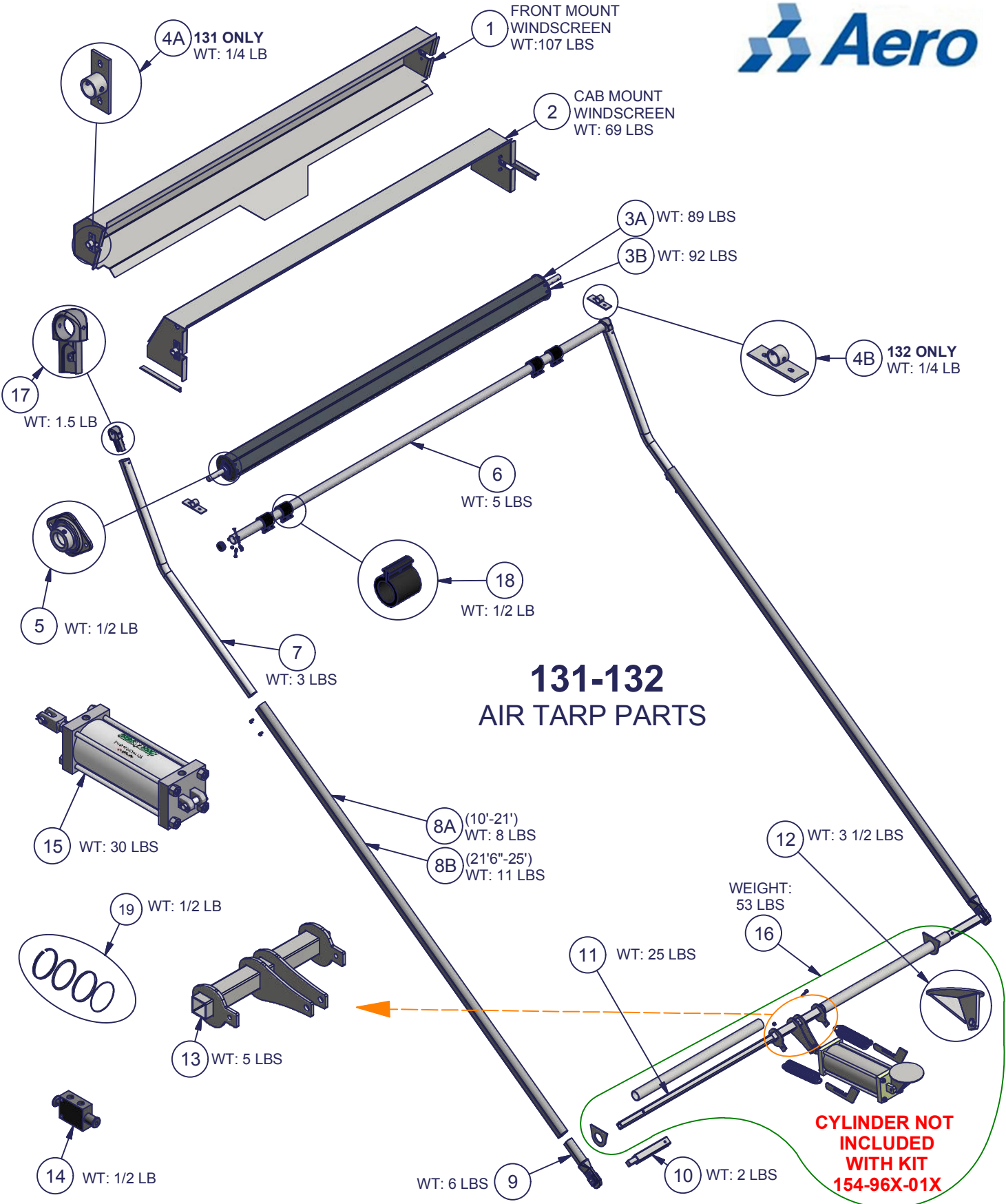
131-096-21-ALDIC

**REFERENCE LENGTH = CAB + BODY**



## NOTES

- Kits 131 includes windscreen:
  - \* Front mount (see item 1, page 304)
  - \* Cab mount (see item 2, page 304)
- See page 304 for parts
- Mesh sold separately, see page 326



PART:  
**131 - 132**

TITLE:  
**AIR TARP KIT PARTS - AERO**

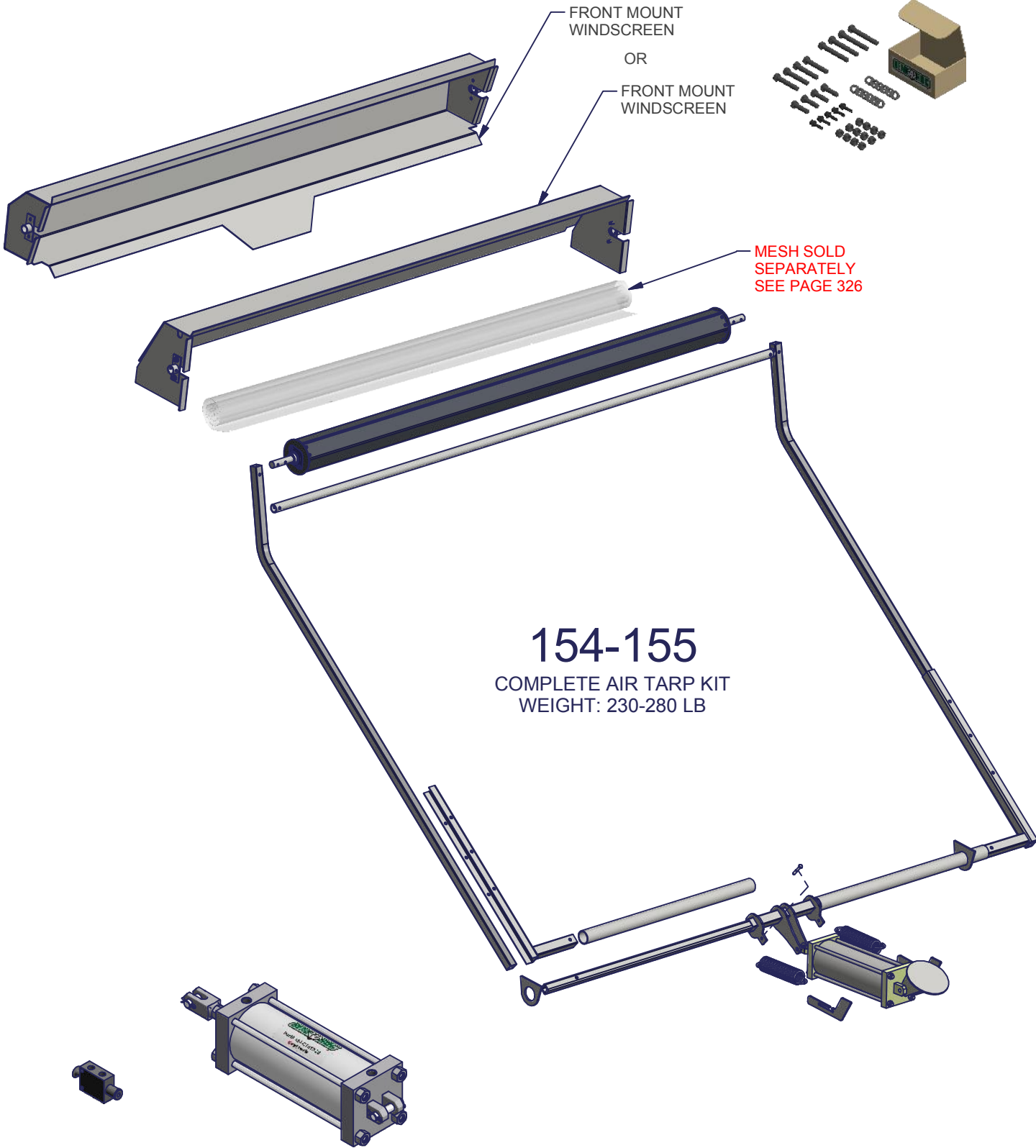


## PART # 131-132 - AIR TARP KIT PARTS - AERO

ITEM	DESCRIPTION	# BEAU-ROC	
	<b>AERO AIR TARP PARTS (131-132)</b>		
1	FRONT MOUNT WINDSCREEN	150-9X-2X1	
2	CAB SHIELD MOUNT WINDSCREEN	150-9X-2X2	
3A	AIR ROLLER ( <i>L=93 1/2" ext., 84" int.</i> )	154-96-1X-02	
3B	AIR ROLLER ( <i>L=96 1/2" ext., 87" int.</i> ) ( <i>UNIVERSAL STYLE CAB &amp; 102"</i> )	155-96-1X-02	
4A	AIR ROLLER SHAFT HOLDER PLATE	154-96-04X	
4B	AIR ROLLER SHAFT HOLDER PLATE ( <i>UNIVERSAL STYLE CAB</i> )	155-96-04X	
5	AIR ROLLER END BEARINGS ( <i>2 CLAMPS</i> )	154-96-13	
6	CROSS TUBE ( <i>L=109"</i> )	130-0703	
7	SWING ARM UPPER BENT	130-1824	
8A	SWING ARM LOWER ( <i>L=88 5/8" FOR 10'-21' BODIES</i> )	130-1803	
8B	SWING ARM LOWER ( <i>L=123" FOR 21'6"-25' BODIES</i> )	130-1804	
9	AIR TARP ARM HOLDER	131-4103	
10	AIR TARP TRANSVERSE ARM ADAPTER	131-2195	
11	AIR TARP TRANSVERSE ARM ( <i>L=94 1/2"</i> )	154-05-04	
12	AIR TARP CYLINDER BRACKET	154-13X	
13	CROSS SHAFT LINKAGE	154-5X-05	
14	AIR VALVE	BH-VALVE-02	
15	AIR TARP DOUBLE ACTING CYLINDER ( <i>5" BORE X 13 1/4" STROKE</i> )	154-BH513.25	
16	AIR TARP KIT UNDERSTRUCTURE	154-96X-01X	
	AIR TARP KIT UNDERSTRUCTURE ( <i>INSTALLED</i> )	154-96X-01XI	
17	AERO ARM END CAP	130-1137	
18	AERO CROSS TUBE RUBBER BUMPER ( <i>EACH</i> )	130-2275	
19	AIR TARP CYLINDER SEAL KIT	154-BH-02	

**PARTS AND ACCESSORIES**

**JUNE 2017**



FRONT MOUNT WINDSCREEN

OR

FRONT MOUNT WINDSCREEN

MESH SOLD SEPARATELY SEE PAGE 326

**154-155**  
COMPLETE AIR TARP KIT  
WEIGHT: 230-280 LB

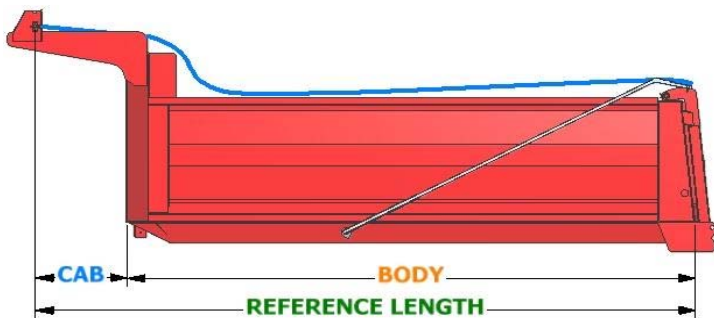


PART:  
**154 - 155**

TITLE:  
**AIR TARP KITS - BEAU-ROC**

# PART # 154-155 - AIR TARP KITS - BEAU-ROC

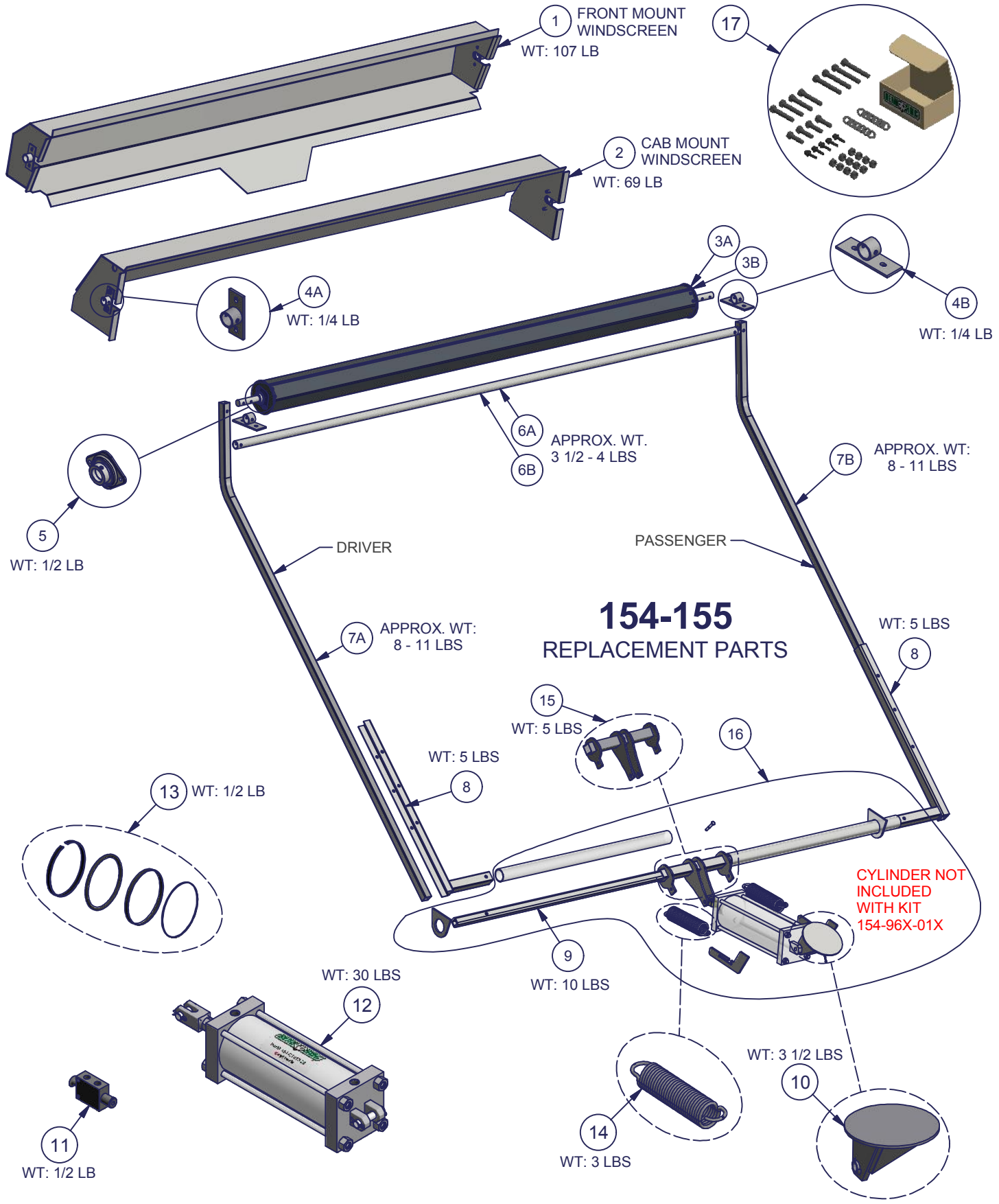
			EXAMPLE:		MY CODE:	
1.	TYPE	DESCRIPTION	CODE		CODE	
	154	Air tarp kit	154			
	155	Air tarp kit ( <i>universal cabs</i> )	-		-	+
2.	WIDTH	+				
	096	96" body width ( <i>default</i> )	096			
	102	102" body width	-		-	+
3.	REF. LENGTH	+				
	16	Up to 16' length ( <i>non inclusive</i> )				
	19	From 16' to 19' length ( <i>non inclusive</i> )	16			
	24	From 19' to 24' length ( <i>inclusive</i> )	-		-	+
4.	ARMS	+				
	AL	Aluminum arms & tube	AL			
	ST	Steel arms & tube	-		-	+
5.	CYLINDER	+				
	D	Double acting cylinder	D			+
	N	No cylinder	-		-	+
6.	INSTALLATION	+				
	I	Installed	I			+
	N	Non-installed	-		-	+
7.	WINDSCREEN	+				
	F	Front mount windscreen	F			+
	C	Cab mount windscreen	-		-	+
			CODE:			
			154-096-16-ALDIF			



**REFERENCE LENGTH = CAB + BODY**

## NOTES

- **Kits 154 includes windscreen:**
  - \* Front mount (see item 1 page 308)
  - \* Cab mount (see item 2 page 308)
- **See page 308 for parts**
- **Mesh sold separately, see page 326**



PART:  
**154 - 155**

TITLE:  
**AIR TARP KIT PARTS  
- BEAU ROC**

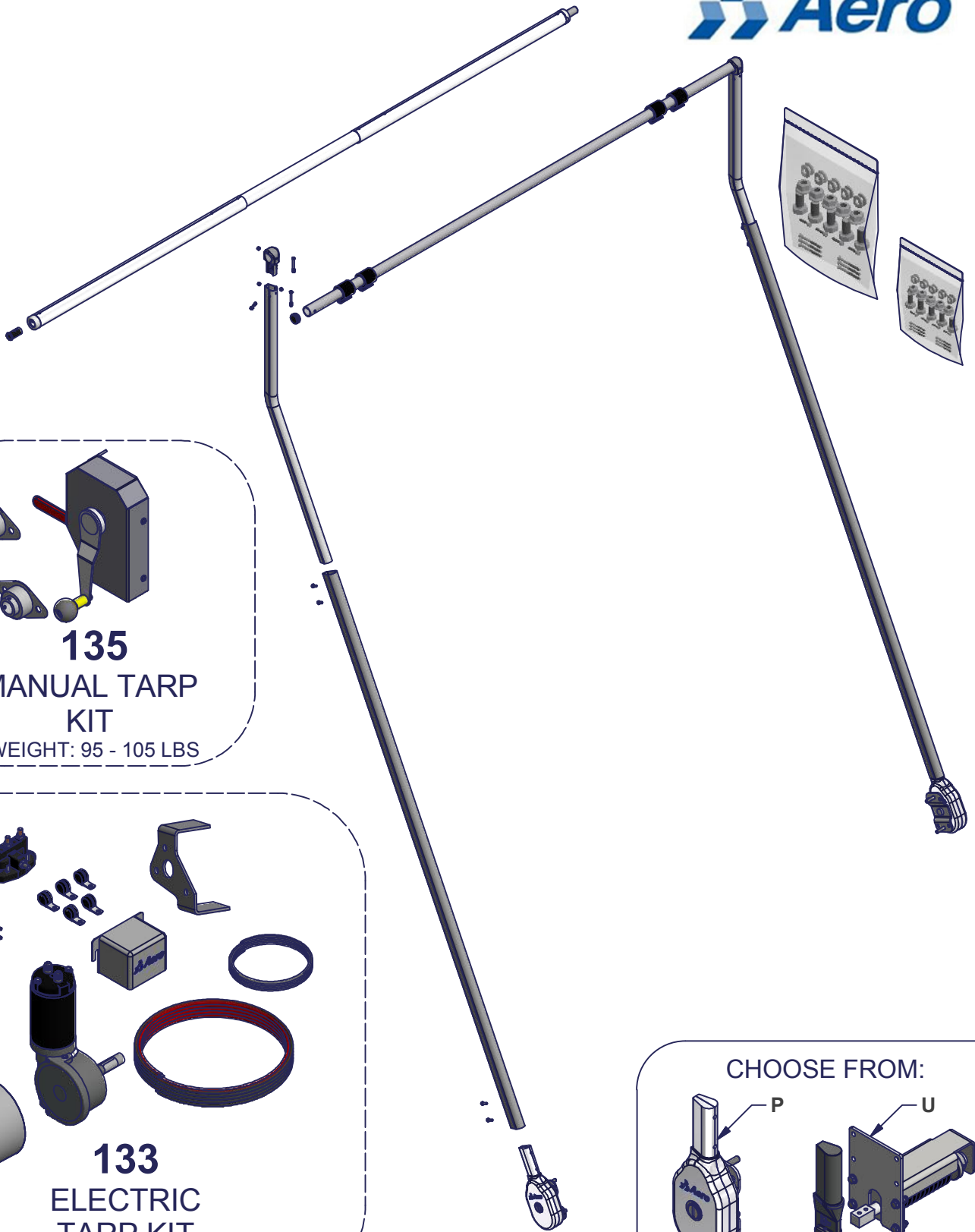


## PART # 154-155 - AIR TARP KIT PARTS - BEAU-ROC

ITEM	DESCRIPTION	# BEAU-ROC	
1	FRONT MOUNT WINDSCREEN	150-9X-2X1	
2	CAB SHIELD MOUNT WINDSCREEN	150-9X-2X2	
3A	AIR ROLLER (L=93 1/2" ext., 84" int.)	154-96-1X-02	
3B	AIR ROLLER (L=96 1/2" ext., 87" int.) (UNIVERSAL STYLE CAB & 102")	155-96-1X-02	
4A	AIR ROLLER SHAFT HOLDER PLATE	154-96-04X	
4B	AIR ROLLER SHAFT HOLDER PLATE (UNIVERSAL STYLE CAB)	155-96-04X	
5	AIR ROLLER END BEARINGS (2 CLAMPS)	154-96-13	
6A	TARP ROLLER HOLDER TUBE FOR 96" BODY WIDTH (L=99")		
	ALUMINUM TUBE	150-02-096-AL	
	STEEL TUBE	150-02-096-ST	
6B	TARP ROLLER HOLDER TUBE FOR 102" BODY WIDTH (L=104")		
	ALUMINUM TUBE	150-02-102-AL	
	STEEL TUBE	150-02-102-ST	
7A	DRIVER SIDE ARM		
	ALUMINUM ARM (UP TO 16' BODY) (L=10')	150-03-16-ALL	
	STEEL ARM (UP TO 16' BODY) (L=10')	150-03-16-STL	
	ALUMINUM ARM (16' TO 19' BODY) (L=12')	150-03-19-ALL	
	STEEL ARM (16' TO 19' BODY) (L=12')	150-03-19-STL	
	ALUMINUM ARM (19' TO 24' BODY) (L=14')	150-03-24-ALL	
	STEEL ARM (19' TO 24' BODY) (L=14')	150-03-24-STL	
7B	PASSENGER SIDE ARM		
	ALUMINUM ARM (UP TO 16' BODY) (L=10')	150-03-16-ALR	
	STEEL ARM (UP TO 16' BODY) (L=10')	150-03-16-STR	
	ALUMINUM ARM (16' TO 19' BODY) (L=12')	150-03-19-ALR	
	STEEL ARM (16' TO 19' BODY) (L=12')	150-03-19-STR	
	ALUMINUM ARM (19' TO 24' BODY) (L=14')	150-03-24-ALR	
	STEEL ARM (19' TO 24' BODY) (L=14')	150-03-24-STR	
8	AIR TARP ARM HOLDER	154-05X-03	
9	AIR TARP TRANSVERSE ARM (L=94 1/2")	154-05-04	
10	AIR TARP CYLINDER BRACKET	154-13X	
11	AIR VALVE	BH-VALVE-02	
12	AIR TARP DOUBLE ACTING CYLINDER (5" BORE X 13 1/4" STROKE)	154-BH513.25	
13	AIR TARP CYLINDER SEAL KIT	154-BH-02	
14	HINGE SPRING (2" DIA. X 1/4")	1125-100S	
15	CROSS SHAFT LINKAGE	154-5X-05	
16	AIR TARP KIT UNDERSTRUCTURE	154-96X-01X	
	AIR TARP KIT UNDERSTRUCTURE (INSTALLED)	154-96X-01XI	
17	HARDWARE KIT FOR AIR TARP	HW-154-1	

**PARTS AND ACCESSORIES**

**JUNE 2017**

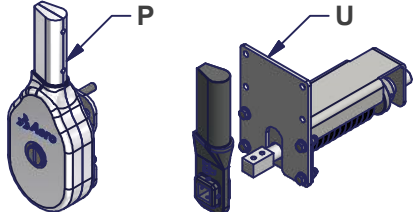



**135**  
**MANUAL TARP**  
**KIT**  
 WEIGHT: 95 - 105 LBS



**133**  
**ELECTRIC**  
**TARP KIT**  
 WEIGHT: 115 - 125 LBS

CHOOSE FROM:

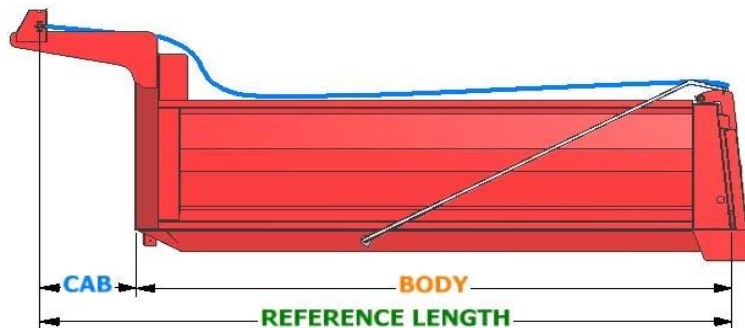


PowerPack Spring      Undermount Spring

# PART # 133-135 - ELECTRIC & MANUAL TARP KITS - AERO

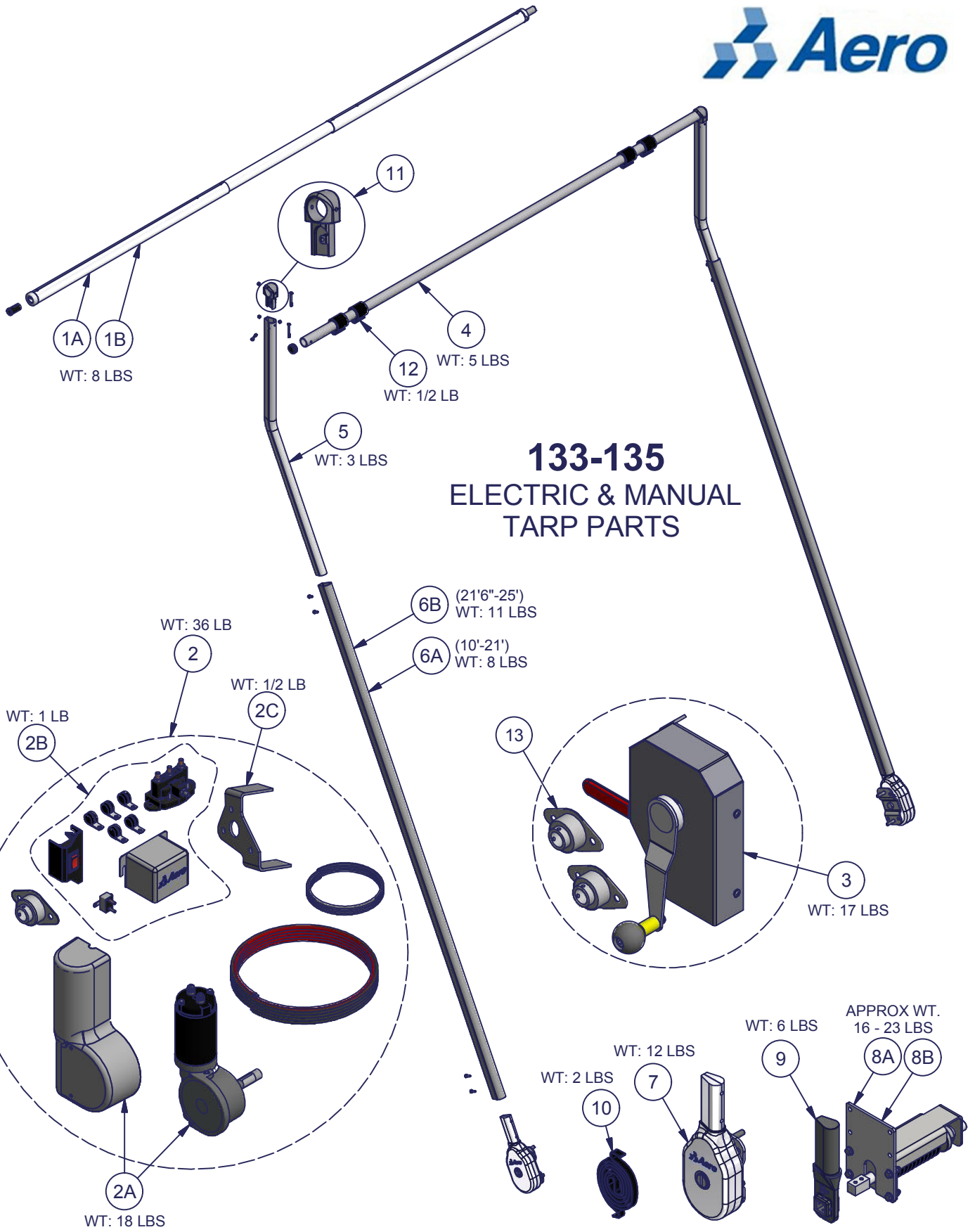
			EXAMPLE:	MY CODE:
1.	TYPE	DESCRIPTION	CODE	
	133	Aero electric tarp kit	133	
	135	Aero manual tarp kit <i>(standard)</i>	-	
2.	REF. LENGTH	+	21	
	21	Up to 21' length <i>(inclusive)</i>	-	
	25	From 21'6" to 25' length <i>(inclusive)</i>	AL	
3.	ARMS	+	P	
	AL	Aluminum arms & tube		
4.	SPRINGS	+		
	P	PowerPack spring kit		
	U	Undermount spring kit		
CODE:			133-21-ALP	

**REFERENCE LENGTH = CAB + BODY**



## NOTES

- See page 312 for parts
- Mesh sold separately, see page 326
- Windscreen sold separately, see page 304





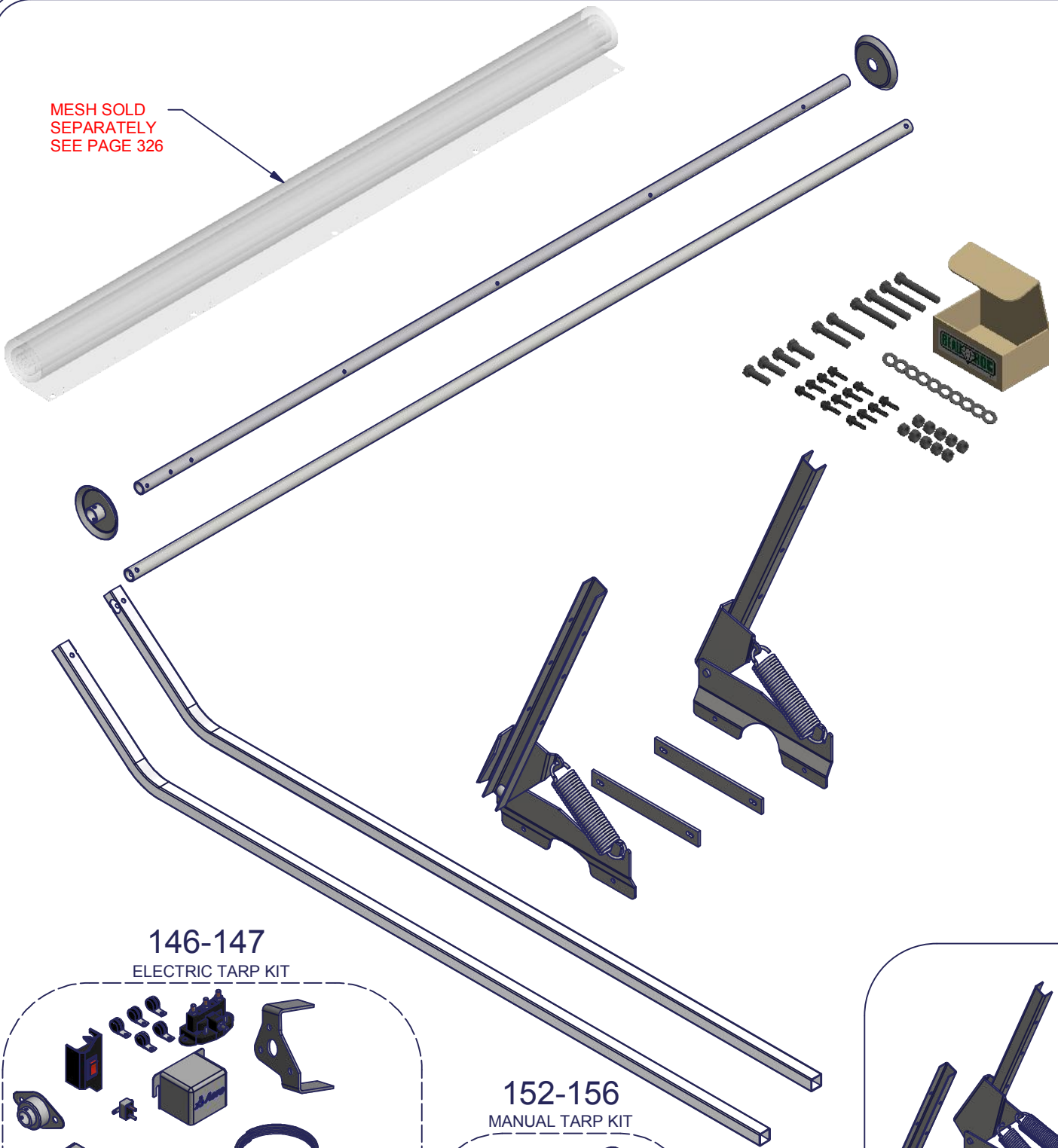
## PART # 133-135 - ELECTRIC & MANUAL TARP KIT PARTS - AERO

ITEM	DESCRIPTION	# BEAU-ROC	
	<b>AERO ELECTRIC TARP PARTS (133)</b>		
1A	ROLL BAR ASSEMBLY WITH BUSHING END <i>(ELECTRIC KIT - ADJUSTABLE WIDTH)</i>	133-2306	
2	<b>ELECTRIC MOTOR KIT</b> <i>12V DC, 3/4" OUTPUT SHAFT</i> <i>504 LBS LIFTING FORCE, 40 NM OPERATING TORQUE</i>	<b>133-3137</b>	
2A	ELECTRIC MOTOR & COVER	133-3457	
2B	ELECTRIC KIT SWITCH	133-2102	
2C	ELECTRIC MOTOR MOUNTING BRACKET	146-03	
	<b>AERO MANUAL TARP PARTS (135)</b>		
1B	ROLL BAR ASSEMBLY WITH SHAFT END <i>(MANUAL KIT - ADJUSTABLE WIDTH)</i>	135-2305	
3	TARP ROLLER CRANK ASSEMBLY	135-1804	
	<b>AERO COMMON PARTS</b>		
4	CROSS TUBE <i>(L=109")</i>	130-0703	
5	SWING ARM UPPER BENT	130-1824	
6A	SWING ARM LOWER <i>(L=88 5/8" FOR 10'-21' BODIES)</i>	130-1803	
6B	SWING ARM LOWER <i>(L=123" FOR 21'6"-25' BODIES)</i>	130-1804	
7	POWERPACK SPRING ASSEMBLY <i>(EACH)</i>	133-0389	
8A	UNDERMOUNT SPRING ASSEMBLY <i>(DRIVER SIDE) (EACH)</i>	133-0346	
8B	UNDERMOUNT SPRING ASSEMBLY <i>(HELPER SIDE) (EACH)</i>	133-0347	
9	AIR TARP ARM HOLDER	131-4103	
10	POWERPACK REPLACEMENT SPIRAL SPRING	130-9550	
11	AERO ARM END CAP	130-1137	
12	AERO CROSS TUBE RUBBER BUMPER <i>(EACH)</i>	130-2275	
13	BEARING KIT FOR ALL END PLATES	135-2583	

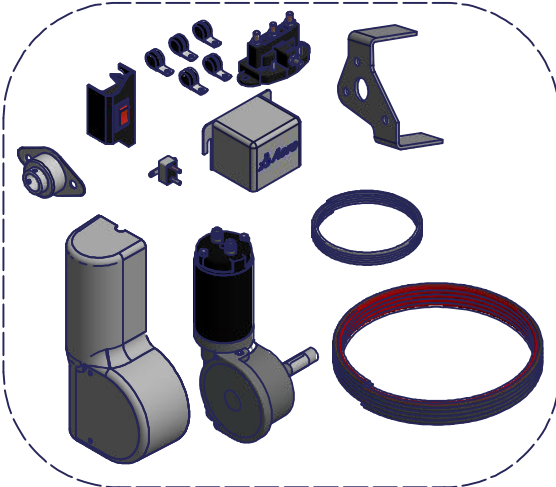
**PARTS AND ACCESSORIES**

**JUNE 2017**

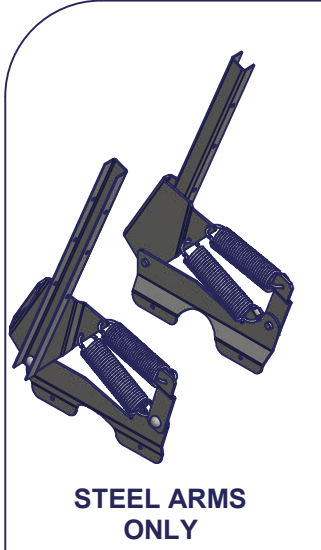
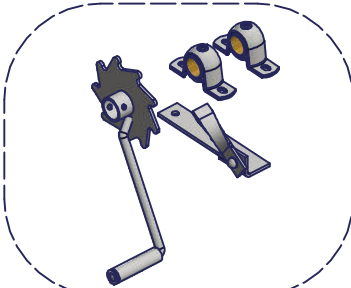
MESH SOLD SEPARATELY SEE PAGE 326



146-147  
ELECTRIC TARP KIT



152-156  
MANUAL TARP KIT



STEEL ARMS ONLY



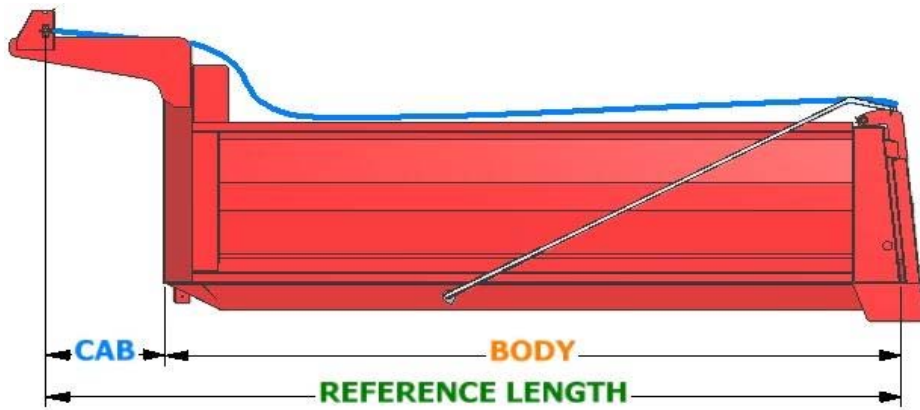
PART:  
**146-147**  
**152-156**

TITLE:  
**ELECTRIC & MANUAL**  
**TARP KITS - BEAU-ROC**

## PART # 146-147-152-156 - ELECTRIC/MANUAL TARP KITS BEAU-ROC

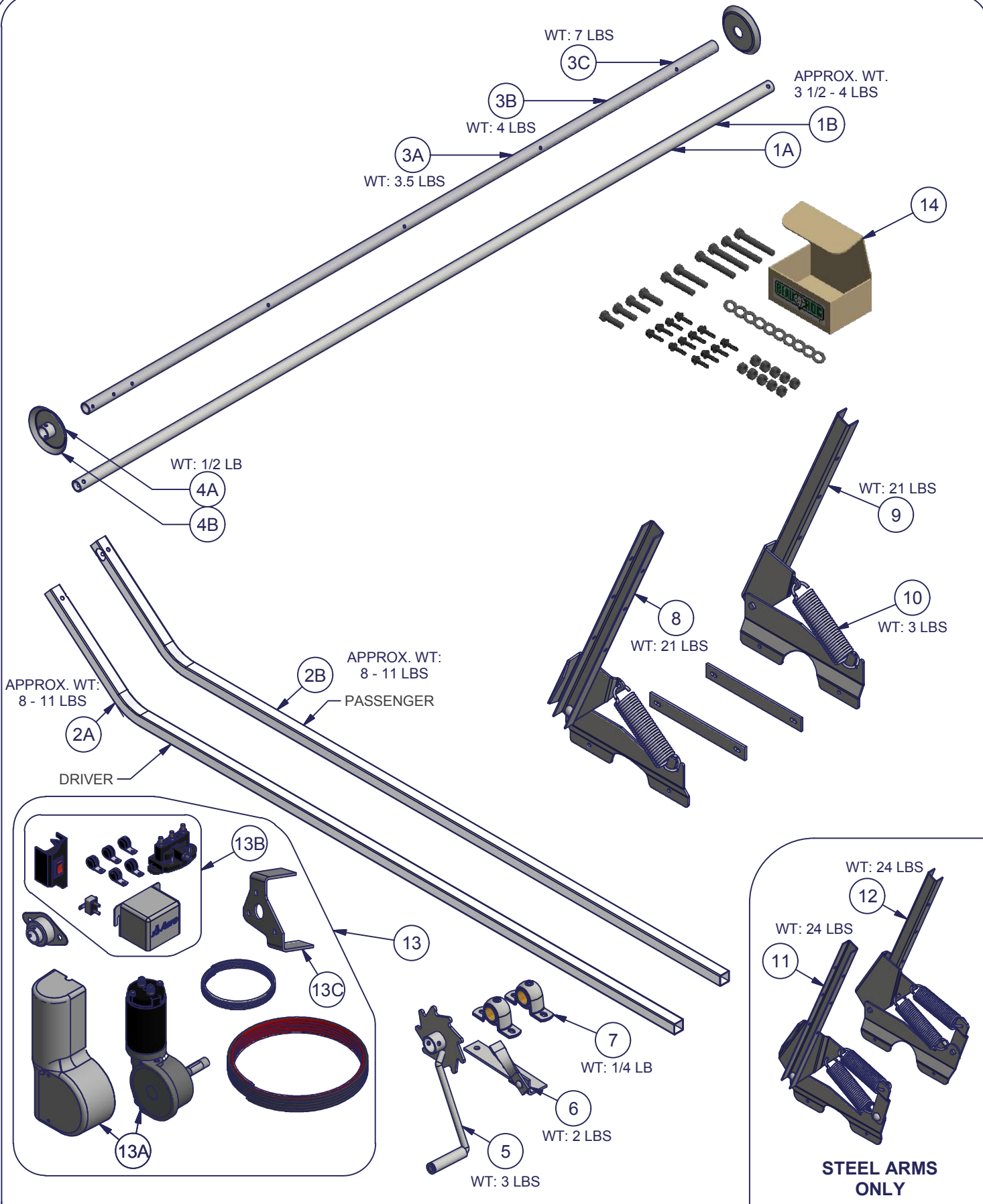
		EXAMPLE:		MY CODE:	
<b>1.</b>	TYPE	DESCRIPTION		CODE	
	146	Electric tarp system		<b>147</b>	\$982
	147	Electric tarp system <i>(universal cabs)</i>			
	152	Manual tarp system			
	156	Manual tarp system <i>(universal cabs)</i>			
<b>2.</b>	WIDTH	+		-	+
	096	96" body width <i>(default)</i>		<b>096</b>	\$0
	102	102" body width			
<b>3.</b>	REF. LENGTH	+		-	+
	16	Up to 16' length <i>(non inclusive)</i>		<b>19</b>	\$30
	19	From 16' to 19' length <i>(non inclusive)</i>			
	24	From 19' to 24' length <i>(inclusive)</i>			
<b>4.</b>	ARMS	+		-	+
	AL	Aluminum arms & tube <i>(single spring)</i>		<b>AL</b>	\$0
	ST	Steel arms & tube <i>(double spring)</i>			
		CODE:	<b>147-096-19-AL</b>		

**REFERENCE LENGTH = CAB + BODY**



### NOTES

	- See page 316 for parts
	- Windscreen sold separately, see page 308
	- Mesh sold separately, see page 326



 <p>JUNE 2017</p>	<p>PART:  <b>146-147</b>  <b>152-156</b></p>	<p>TITLE:  <b>ELECTRIC &amp; MANUAL TARP KIT</b>  <b>PARTS - BEAU-ROC</b></p>
---	--	---

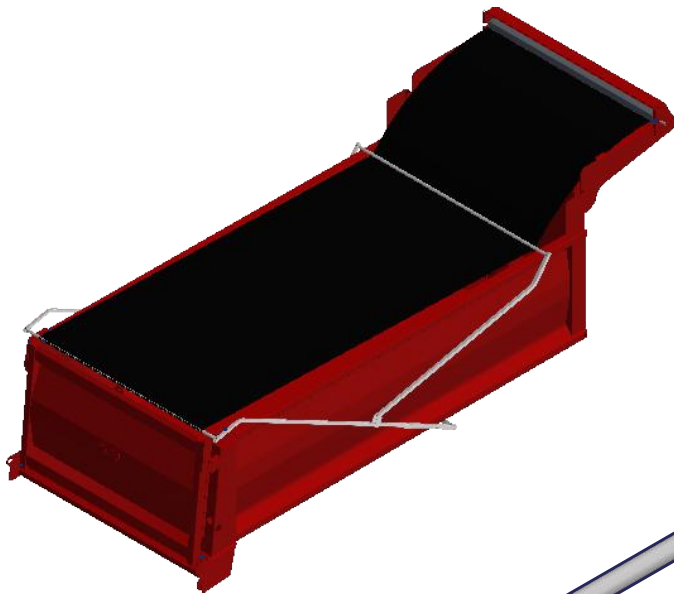


## PART # 146-147-152-156 - ELECTRIC/MANUAL KIT PARTS - BEAU-ROC

ITEM	DESCRIPTION	# BEAU-ROC	
1A	TARP ROLLER HOLDER TUBE FOR 96" BODY WIDTH (L=99")		
	ALUMINUM TUBE	150-02-096-AL	
	STEEL TUBE	150-02-096-ST	
1B	TARP ROLLER HOLDER TUBE FOR 102" BODY WIDTH (L=104")		
	ALUMINUM TUBE	150-02-102-AL	
	STEEL TUBE	150-02-102-ST	
2A	DRIVER SIDE ARM		
	ALUMINUM ARM (UP TO 16' BODY) (L=10')	150-03-16-ALL	
	STEEL ARM (UP TO 16' BODY) (L=10')	150-03-16-STL	
	ALUMINUM ARM (16' TO 19' BODY) (L=12')	150-03-19-ALL	
	STEEL ARM (16' TO 19' BODY) (L=12')	150-03-19-STL	
	ALUMINUM ARM (19' TO 24' BODY) (L=14')	150-03-24-ALL	
	STEEL ARM (19' TO 24' BODY) (L=14')	150-03-24-STL	
2B	PASSENGER SIDE ARM		
	ALUMINUM ARM (UP TO 16' BODY) (L=10')	150-03-16-ALR	
	STEEL ARM (UP TO 16' BODY) (L=10')	150-03-16-STR	
	ALUMINUM ARM (16' TO 19' BODY) (L=12')	150-03-19-ALR	
	STEEL ARM (16' TO 19' BODY) (L=12')	150-03-19-STR	
	ALUMINUM ARM (19' TO 24' BODY) (L=14')	150-03-24-ALR	
	STEEL ARM (19' TO 24' BODY) (L=14')	150-03-24-STR	
3A	TARP ROLLER TUBE FOR 96" BODY WIDTH (L=89 3/4")		
	ALUMINUM TUBE	150-01-096-AL	
	STEEL TUBE	150-01-096-ST	
3B	TARP ROLLER TUBE FOR 102" BODY WIDTH (L=91")		
	ALUMINUM TUBE	150-01-102-AL	
	STEEL TUBE	150-01-102-ST	
3C	TARP ROLLER TUBE FOR UNIVERSAL CAB (L=97 1/2")		
	ALUMINUM TUBE	155-01-096-AL	
	STEEL TUBE	155-01-096-ST	
4A	ALUMINIUM TARP ROLLER DISC (EACH)	150-10-1X	
4B	STEEL TARP ROLLER DISC (EACH)	150-10-01	
5	TARP ROLLER HANDLE	150-11X	
6	TARP ROLLER LOCK	150-12X	
7	ROLLER BUSHING UNIT (EACH)	150-002	
8	SINGLE LEFT HINGE SPRING (DRIVER SIDE)	150-14X-1G	
9	SINGLE RIGHT HINGE SPRING (HELPER SIDE)	150-14X-1D	
10	HINGE SPRING (2" DIA. X 1/4")	1125-100S	
11	DOUBLE LEFT HINGE SPRING (DRIVER SIDE) (STEEL ARMS ONLY)	150-14X-2G	
12	DOUBLE RIGHT HINGE SPRING (HELPER SIDE) (STEEL ARMS ONLY)	150-14X-2D	
13	ELECTRIC MOTOR KIT	133-3137	
	12V DC, 3/4" OUTPUT SHAFT, 504 LBS LIFTING FORCE, 40 NM OPERATING TORQUE		
13A	ELECTRIC MOTOR & COVER	133-3457	
13B	ELECTRIC KIT SWITCH	133-2102	
13C	ELECTRIC MOTOR MOUNTING BRACKET	146-03	
14	HARDWARE KIT FOR ELECTRIC AND MANUAL TARP	HW-152-1	

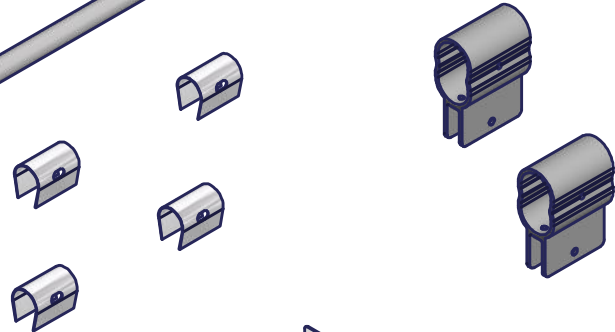
**PARTS AND ACCESSORIES**

**JUNE 2017**

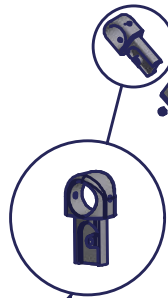


WT: 10 LBS

1



**NOTE:**  
TARP ARMS WILL BE DELIVERED AS A ONE PIECE TUBE TO ALLOW CUTTING TO DESIRED LENGTH.



3 WT: 1.5 LBS

WT: 10 LBS

2A

2B

WT: 12 LBS

COMPLETE  
ANTI-SAIL KIT  
WEIGHT: 40 LBS



JUNE 2017

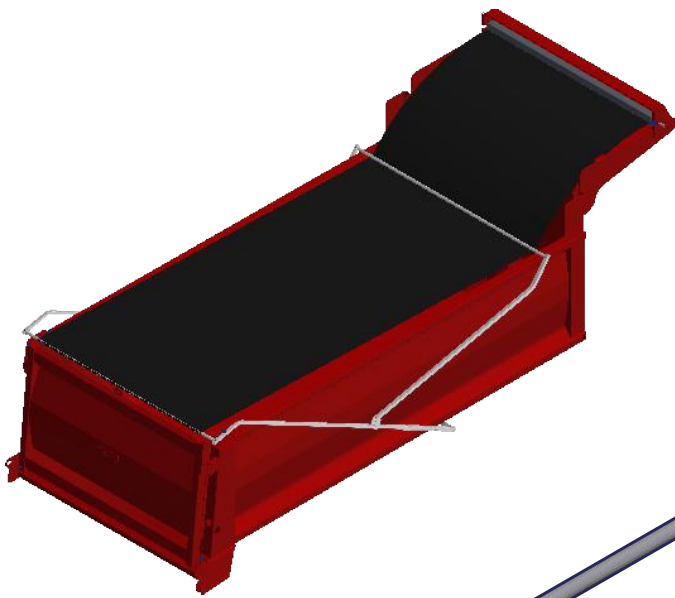
PART:

138

TITLE:

ANTI-SAIL TARP KIT - AERO

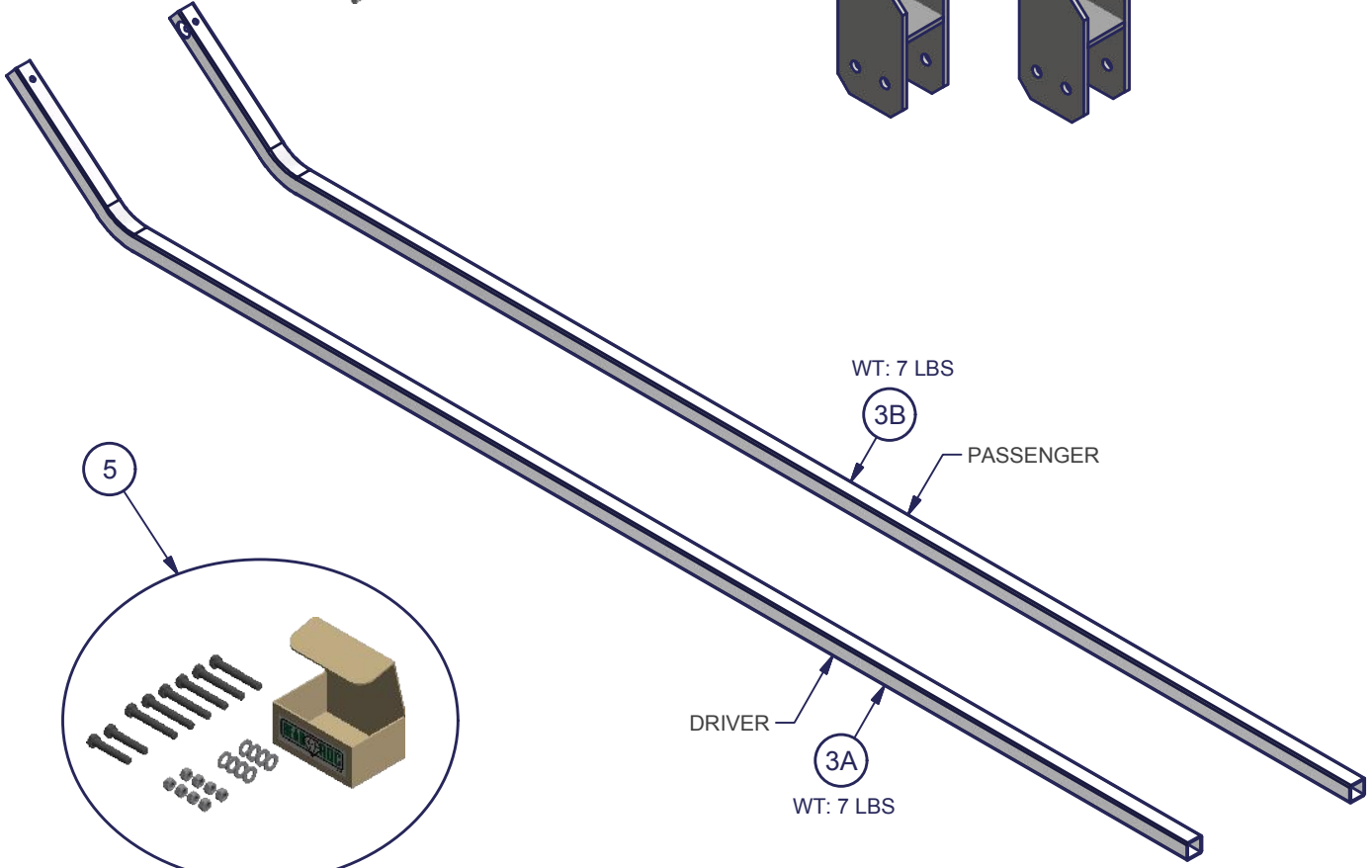




APPROX. WT.  
3 1/2 - 4 LBS



WT: 2 LBS



WT: 7 LBS



PASSENGER

DRIVER



WT: 7 LBS



PART:

148

TITLE:

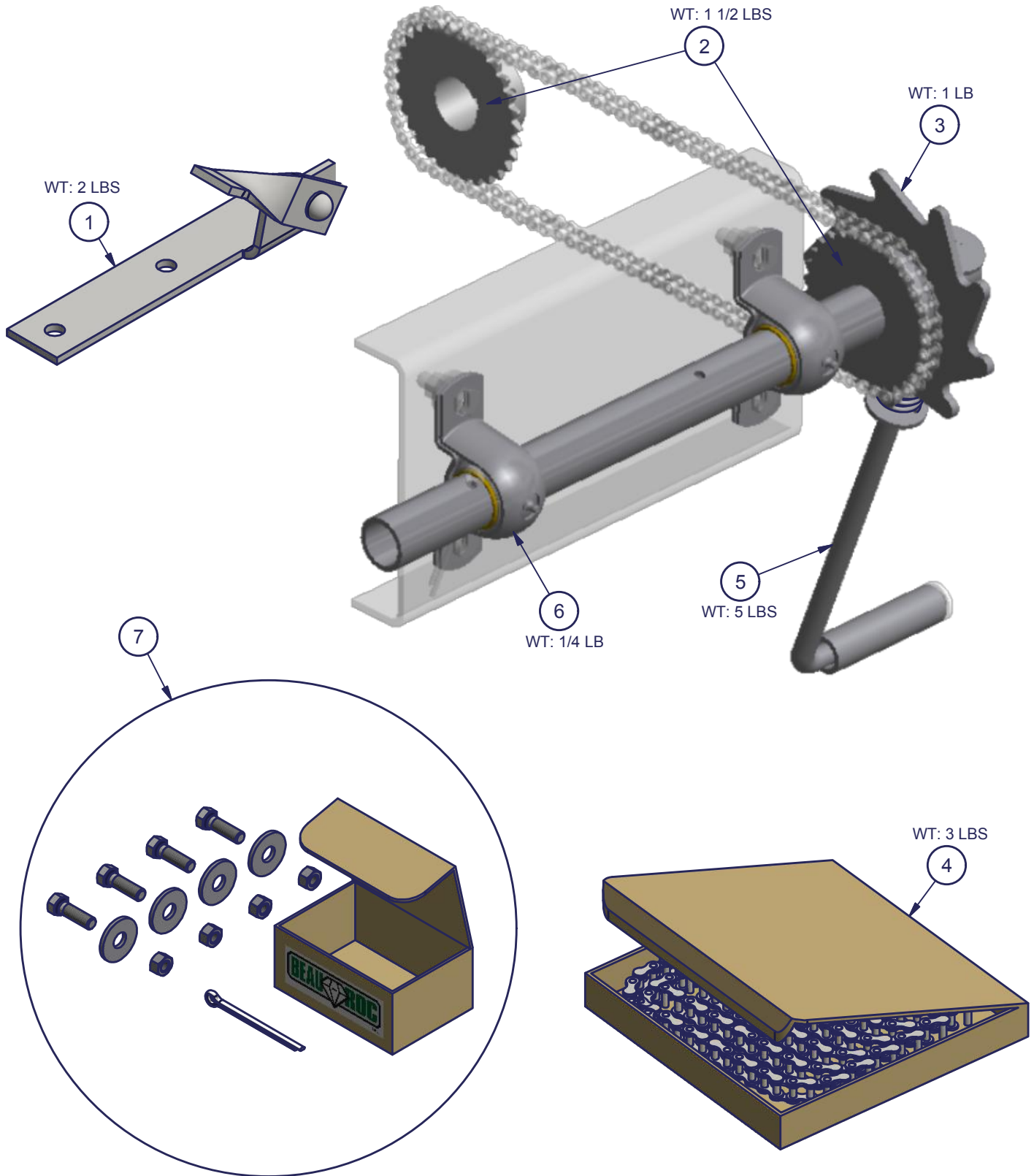
ANTI-SAIL TARP  
KIT- BEAU-ROC



**PART # 148 - ANTI-SAIL TARP KIT - BEAU-ROC**

ITEM	DESCRIPTION	# BEAUROC	
	ANTI-SAIL TARP KIT <i>(ALUMINUM - 96" WIDE BODY)</i>	148-096-AL	
	ANTI-SAIL TARP KIT <i>(ALUMINUM - 102" WIDE BODY)</i>	148-102-AL	
	<b>BEAU-ROC ANTI-SAIL TARP PARTS (148)</b>		
1A	ALUMINUM TARP ROLLER HOLDER TUBE FOR 96" BODY WIDTH <i>(L=95")</i>	150-02-096-AL	
1B	ALUMINUM TARP ROLLER HOLDER TUBE FOR 102" BODY WIDTH <i>(L=100")</i>	150-02-102-AL	
2A	WEIGHT ROD FOR 96" BODY WIDTH <i>(L=95")</i>	148-01-01	
2B	WEIGHT ROD FOR 102" BODY WIDTH <i>(L=100")</i>	148-01-02	
3A	DRIVER SIDE ALUMINUM ARM <i>(L=8')</i>	148-120-04-1G	
3B	PASSENGER SIDE ALUMINUM ARM <i>(L=8')</i>	148-120-04-1D	
4	SUPPORT BRACKET <i>(EACH)</i>	148-02-01	
5	HARDWARE KIT FOR BEAU-ROC ANTI-SAIL	HW-148-1	

**PARTS AND ACCESSORIES** **JUNE 2017**



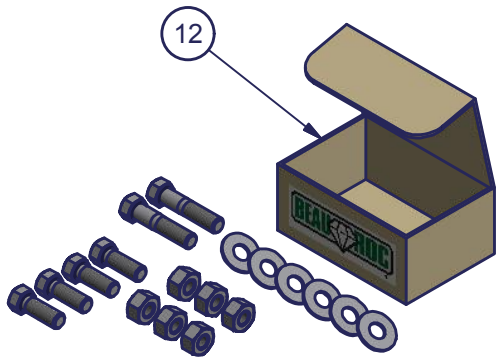


**PART # 149 - MANUAL TARP GROUND OPERATION KIT - BEAU-ROC**

ITEM	DESCRIPTION	# BEAU-ROC	
	<b>COMPLETE GROUND OPERATION KIT</b>	<b>149-01X</b>	
	<b>BEAU-ROC MANUAL TARP GROUND OPERATION PARTS (149)</b>		
1	TARP ROLLER LOCK	150-12X	
2	SPROCKET <i>(EACH) (1 1/4" DIA.)</i>	149-01-02	
3	COGWHEEL <i>(3/16" THICK)</i>	150-011-01	
4	CHAIN <i>(1/2" X 10 FT)</i>	149-01-35	
5	SWING HANDLE	149-01-3X	
6	ROLLER BUSHING UNIT <i>(EACH)</i>	150-002	
7	HARDWARE KIT FOR BEAU-ROC MANUAL GROUND OPERATION	HW-149-1	

**PARTS AND ACCESSORIES**

**JUNE 2017**



WT: 12 LBS

2

WT: 21 LBS

8

WT: 21 LBS

7

APPROX. WT:  
8 - 11 LBS

3

PASSENGER

DRIVER

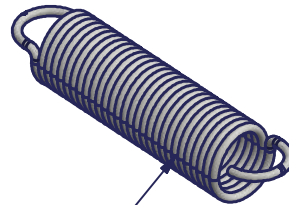
WT: 24 LBS

10

WT: 24 LBS

9

STEEL ARMS  
ONLY



11

WT: 3 LBS



JUNE 2017

PART:

153

TITLE:

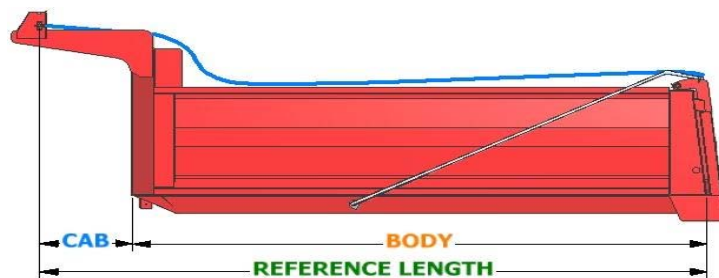
DIAMOND  
BODY LINE

BOW KIT

# PART # 153 - BOW KIT

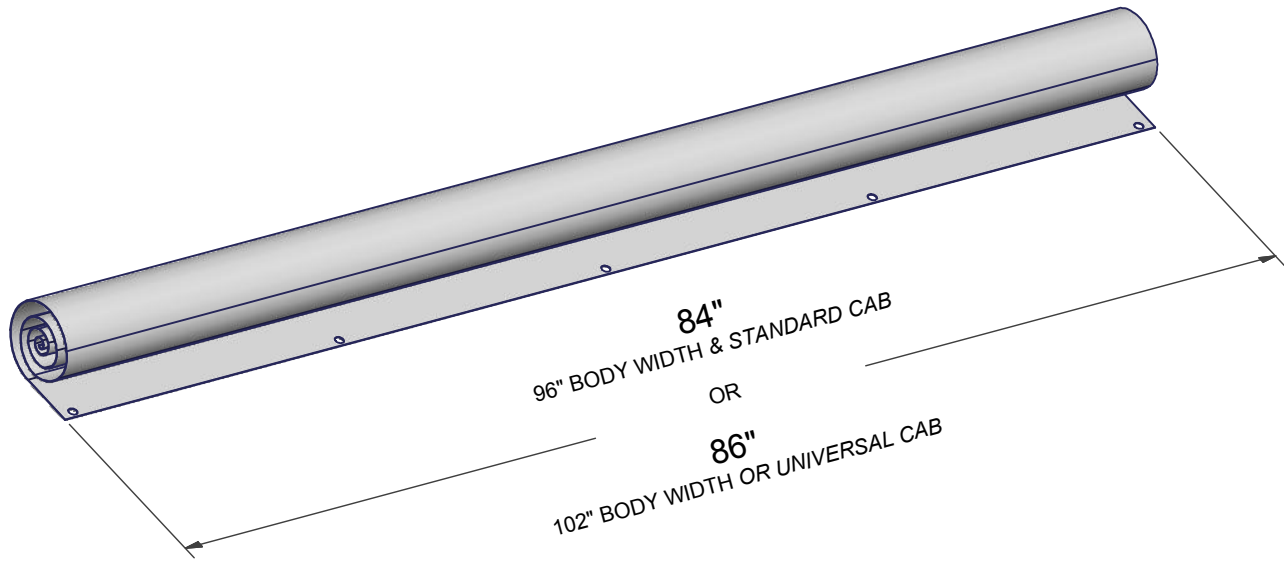
		EXAMPLE:		MY CODE:	
1.	TYPE	DESCRIPTION		CODE	
	153	Bow kit	153	\$192	
2.	WIDTH	+		-	+
	096	96" body width <i>(default)</i>	096	\$0	
	102	102" body width			
3.	REF. LENGTH	+		-	+
	16	Up to 16' length <i>(non inclusive)</i>	19	\$30	
	19	From 16' to 19' length <i>(non inclusive)</i>			
	24	From 19' to 24' length <i>(inclusive)</i>			
4.	ARMS	+		-	+
	AL	Aluminum arms & tube <i>(single spring)</i>	ST	\$45	
	ST	Steel arms & tube <i>(double spring)</i>			
			CODE: <b>153-096-19-ST</b>		

**REFERENCE LENGTH = CAB + BODY**

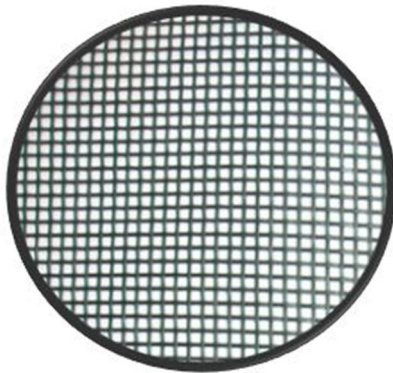


## ACCESSORIES

ITEM	DESCRIPTION	# BEAUROC	
2	TARP HOLDER ROLLER TUBE	See page 320	
3	ARMS	See page 320	
7	SINGLE LEFT HINGE SPRING <i>(DRIVER SIDE)</i>	150-14X-1G	
8	SINGLE RIGHT HINGE SPRING <i>(HELPER SIDE)</i>	150-14X-1D	
9	DOUBLE LEFT HINGE SPRING <i>(STEEL ARMS - DRIVER)</i>	150-14X-2G	
10	DOUBLE RIGHT HINGE SPRING <i>(STEEL ARMS - HELPER)</i>	150-14X-2D	
11	HINGE SPRING <i>(2" DIA. X 1/4")</i>	1125-100S	
12	HARDWARE KIT 153	HW-153-1	



## STANDARD MESH



### AVAILABLE SIZES:

12 ft  
16 ft  
19 ft  
24 ft  
27 ft

## ASPHALT MESH



### AVAILABLE SIZES:

16 ft  
19 ft  
24 ft



JUNE 2017

PART:

137

TITLE:

STANDARD & ASPHALT MESH

# PART # 137 - STANDARD & ASPHALT MESH

## STANDARD MESH

1.	ITEM	DESCRIPTION
	137-14	Mesh
	WIDTH	+
2.	84	96" body width ( <i>standard</i> )
	86	102" body width ( <i>universal</i> )
	REF. LENGTH	+
3.	12	From 9' to 12' length
	16	From 12' to 16' length
	19	From 16' to 19' length
	24	From 19' to 24' length
	27	From 24' to 27' length
	MESH	+
4.	T	Standard mesh

CODE:

EXAMPLE:

CODE	
137-14	
-	
86	
-	
19	
T	
137-14-86-19T	

MY CODE:

CODE	
-	+
-	+

## ASPHALT MESH

1.	ITEM	DESCRIPTION
	137-14	Mesh
	WIDTH	+
2.	84	96" body width ( <i>standard</i> )
	86	102" body width ( <i>universal</i> )
	REF. LENGTH	+
3.	16	From 12' to 16' length
	19	From 16' to 19' length
	24	From 19' to 24' length
	MESH	+
4.	A	Asphalt mesh

CODE:

EXAMPLE:

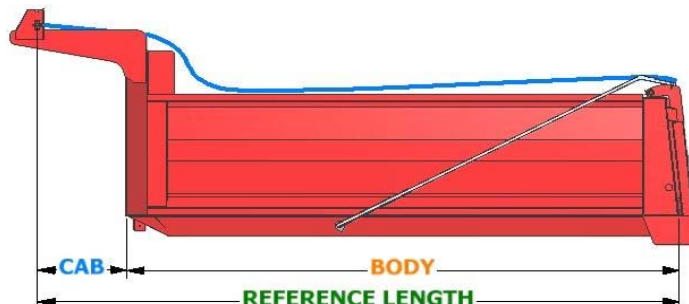
CODE	
137-14	
-	
86	
-	
24	
A	
137-14-86-24A	

MY CODE:

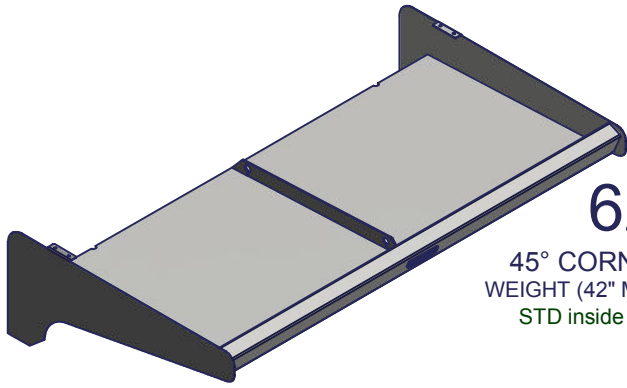
CODE	
-	+
-	+

**REFERENCE LENGTH = CAB + BODY**

Note: add front to side height difference if needed

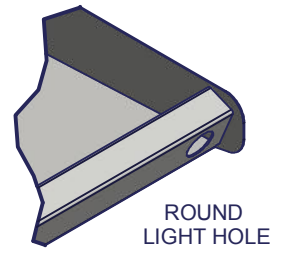


NOTE: 2 ROUND OR OVAL  
LIGHT HOLES AVAILABLE FOR  
MODELS 625 & 626

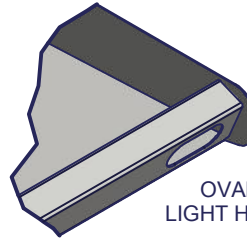


**625**

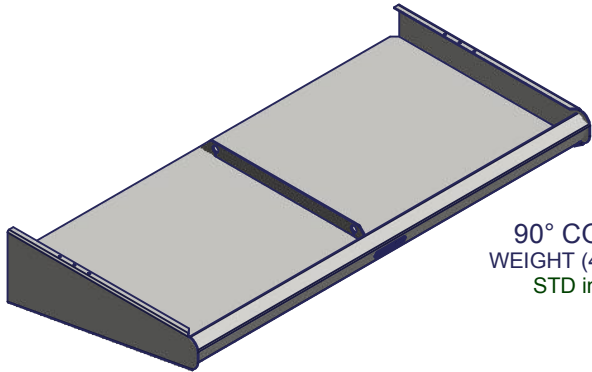
45° CORNER FRONT  
WEIGHT (42" MODEL): 310 LBS  
STD inside width = 86 3/8"



ROUND  
LIGHT HOLE

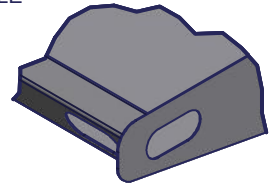


OVAL  
LIGHT HOLE

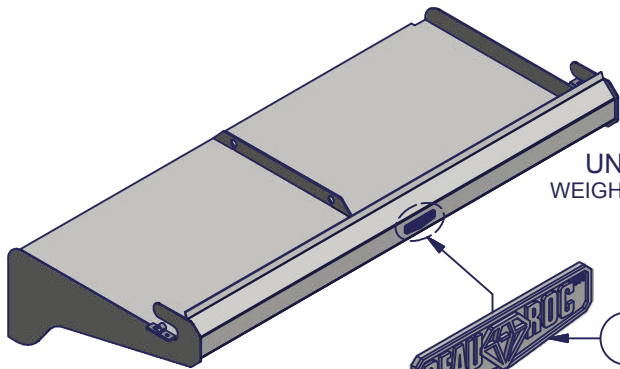


**626**

90° CORNER FRONT  
WEIGHT (42" MODEL): 285 LBS  
STD inside width = 86 3/8"

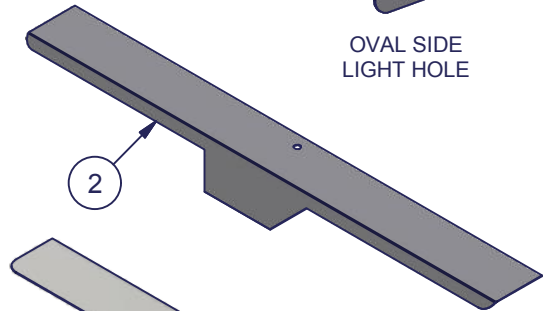


OVAL SIDE  
LIGHT HOLE

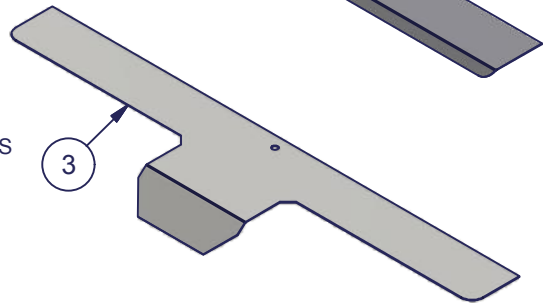


**627**

UNIVERSAL STYLE  
WEIGHT (42" MODEL): 357 LBS  
Inside width = 92"



2

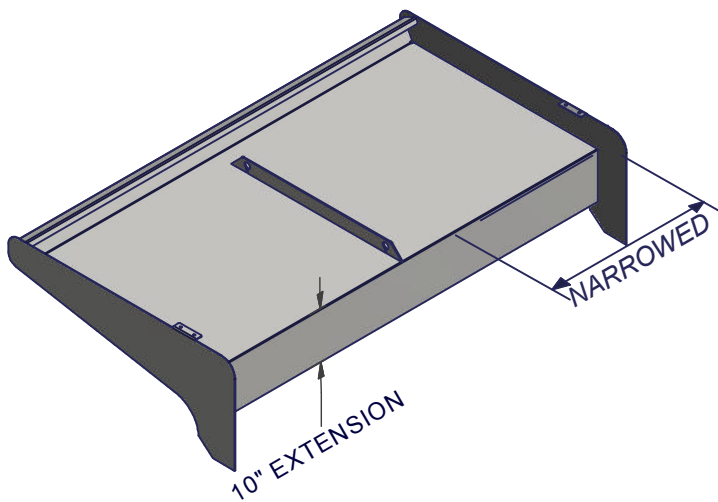


3



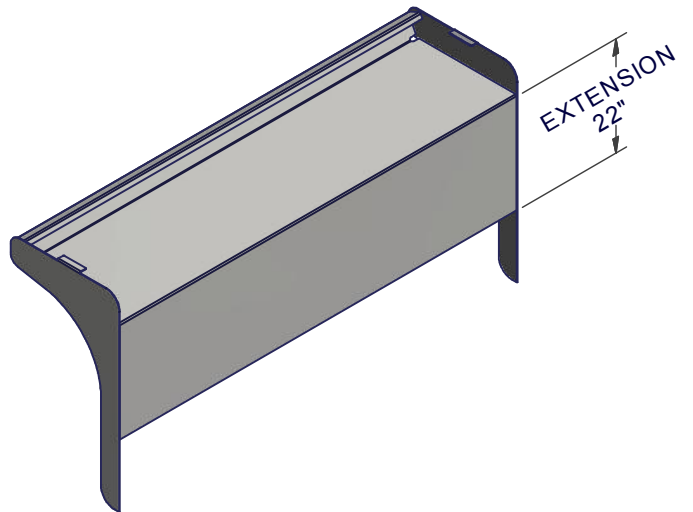
1

WEIGHT: 3/4 LB



10" EXTENSION

NARROWED



EXTENSION  
22"



PART:  
**625 - 626**  
**627**

TITLE:  
DIAMOND  
BODY LINE  
**CAB SHIELDS**

# PART # 625-626-627 - CAB SHIELDS

				EXAMPLE:		MY CODE:	
1.	TYPE	DESCRIPTION		CODE		CODE	
	625	45 degree corner front		625			
	626	90 degree corner front					
	627	Universal style					
2.	LENGTH	+		30			+
	18	18" cab shield length (625-626 only)					
	24	24" cab shield length					
	30	30" cab shield length					
	36	36" cab shield length					
	42	42" cab shield length					
48	48" cab shield length						
3.	WIDTH	+		16			+
	S	Standard width					
	"X"	Narrow distance (width (in)) (625-626 only)					
	F	Full width (625-626 only)					
4.	EXTENSION	+		E			+
	E	Extension (10") (625-626 only)					
	W	Extension (22") (625-626 only)					
	S	No extension					
5.	ASSEMBLY	+		B			
	A	All assembled (default)					
	L	One end loose					
	B	Both ends loose					
6.	LIGHT HOLES	+		N			+
	N	No light holes					
	O	2 front round light holes (625-626 only)					
	V	2 front oval light holes (625-626 only)					
	C	1 oval light holes per side (625-626 only)					
	D	2 front oval & 1 side oval per side (625-626 only)					
	F	2 front round & 1 side oval per side (625-626 only)					
Z	2 front oval, 2 front round & 1 side oval per side (625-626 only)						
7.	LOGO	+		L			
	L	Beau-Roc logo					
	N	No logo					
8.	INSTALLATION	+		N			+
	I	Installed (std & assembled cabs only)					
	N	Non-installed					

Legend: codes in blue available for 625-626 models only

625-30-16EB-NLN

## ACCESSORIES

ITEM	DESCRIPTION	# BEAUROC	
1	DUMP BODY SIDE & CAB SHIELD LOGO	910-01-08	
2	FRONT CAP (12" RECESS)	150-9X-2X3	
3	FRONT CAP (12" SLIM LINE RECESS)	150-9X-2X4	

PARTS AND ACCESSORIES

JUNE 2017



## SECTION 4 - SIDE, BOTTOM & HEAT ACCESSORIES

PART #	DESCRIPTION	PAGE
<b>SIDE ACCESSORIES</b>		
<b>910</b>	BODY SIDE ACCESSORIES	<b>401-402</b>
	BODY REPAIR PARTS	<b>403-404</b>
	TARP RAILS	<b>405-406</b>
<b>910F-FM-S</b>	LADDERS	<b>407-408</b>
<b>HEATING KITS &amp; ACCESSORIES</b>		
<b>180</b>	ADJUSTABLE HEATING & SPRING BOX KIT	<b>409-410</b>
<b>181</b>	HEATING & SPRING BOX KIT	<b>411-412</b>
<b>182</b>	ADJUSTABLE HEATING & SPRING BOX KIT (SS 304)	<b>413-414</b>
<b>183</b>	THERMO-COUPLED HEAT BOX KIT (SS 304)	<b>415-416</b>
<b>180-20X</b>	SPRING BOX RE-POSITIONER	<b>417-418</b>
<b>BODY PROPS</b>		
<b>270-271</b>	BODY PROP STD & INTEGRATED MODELS	<b>419-420</b>
<b>MUD FLAPS</b>		
<b>160</b>	MUD FLAP & BRACKET KITS	<b>421-422</b>
<b>WIRING &amp; LIGHTS</b>		
<b>911</b>	WIRING HARNESS & LIGHT KITS	<b>423-424</b>
<b>ROLLERS</b>		
<b>750</b>	HOOK LIFT ROLLERS	<b>425-426</b>
<b>751</b>	ROLL-OFF REPLACEMENT PARTS	<b>427-428</b>
<b>RUBBER MOUNTS</b>		
<b>187</b>	FULL LENGTH RUBBER ISOLATION MOUNT KITS	<b>429-430</b>
<b>LABELS</b>		
<b>1003</b>	DUMP BODY WARNING LABELS	<b>431-432</b>

1A



1B

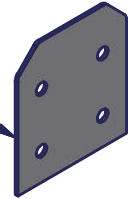


1C



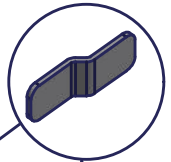
3

WT: 3 3/4 LBS



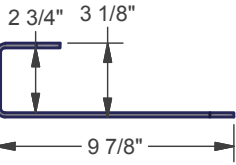
2B

WT: 12 LBS



6

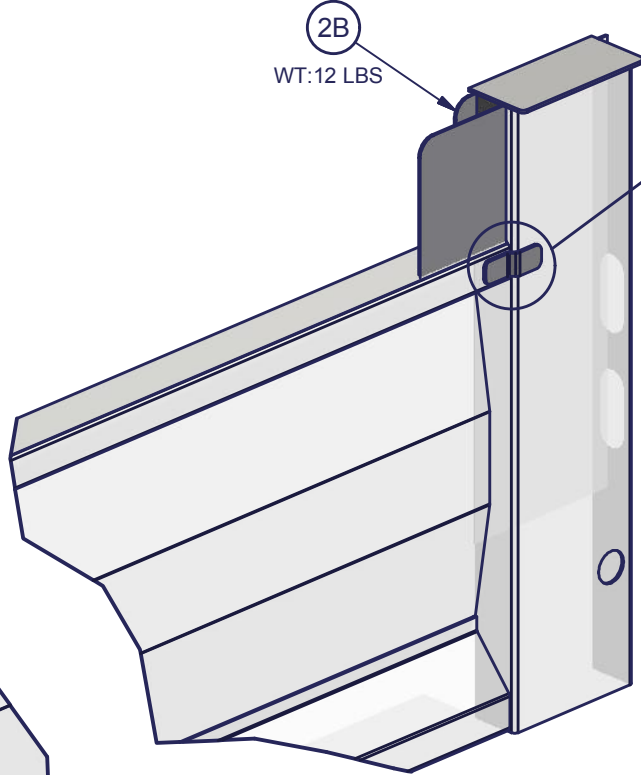
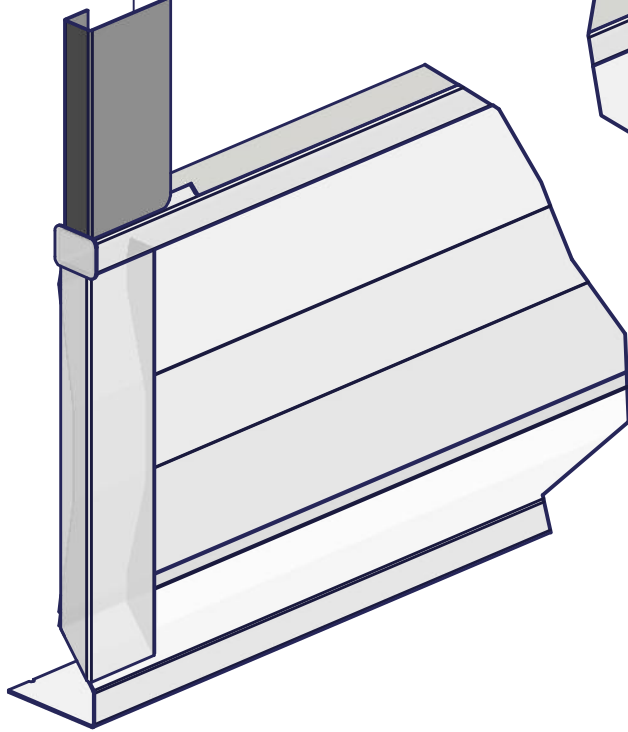
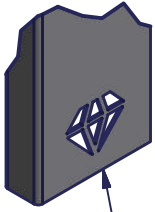
WT: 1 LBS



2F

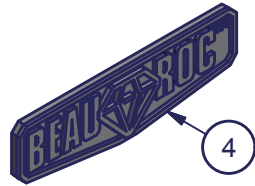
WT: 28 3/4 LBS

OPTIONAL  
DIAMOND  
DESIGN



5

WT: 1 LB



4

WT: 3/4 LB



PART:

910

TITLE:

BODY SIDE ACCESSORIES

## PART # 910 - BODY SIDE ACCESSORIES

BOARD POCKETS (item 2)		
1.	P/N	DESCRIPTION
	<b>910-01-04</b>	Board pocket
	<b>POSITION</b>	+
2.	<b>F</b>	Front (36" high)
	<b>B</b>	Back (16" high)
	<b>SIDE</b>	+
3.	<b>H</b>	Helper
	<b>D</b>	Driver
	<b>TYPE</b>	+
4.	<b>S</b>	Standard
	<b>D</b>	Diamond design

**EXAMPLE:**

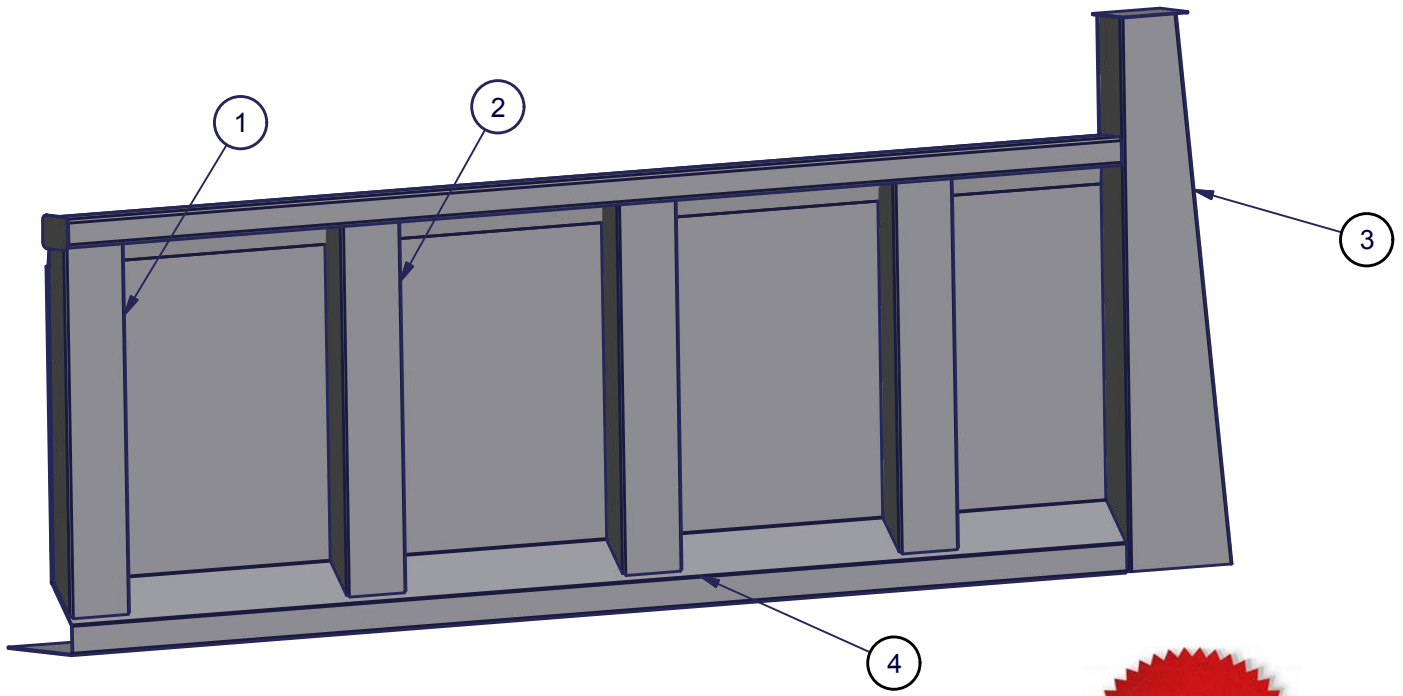
**MY CODE:**

CODE		CODE	
910-01-04		-	
-		-	
F			
D			
S			
<b>910-01-04-FDS</b>			

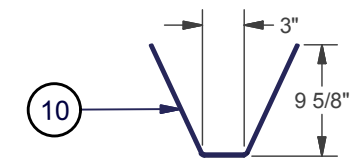
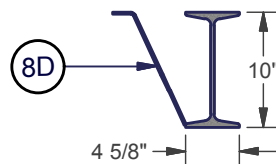
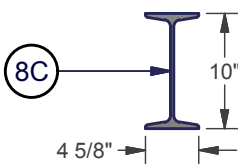
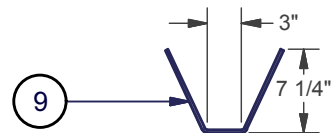
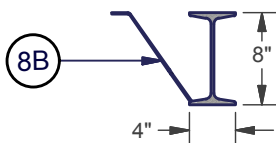
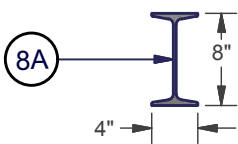
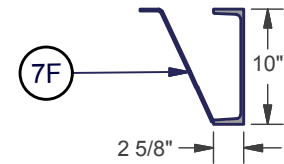
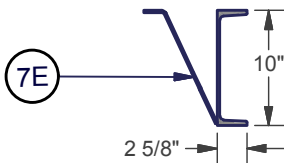
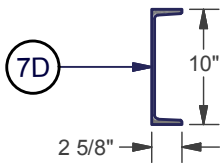
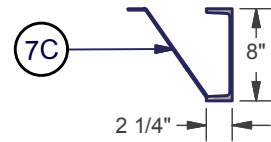
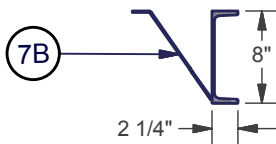
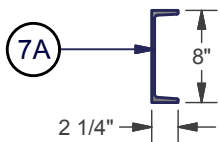
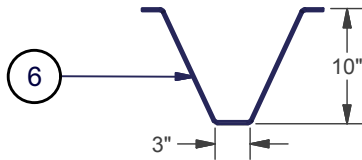
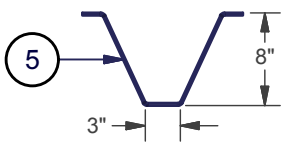
**CODE:**

### ACCESSORIES

ITEM	DESCRIPTION	# BEAUROC	
1A	DIRT SHEDDING ANGLE IRON (2 1/2" X 2 1/2" X 3/16") <i>*FOR 3X4 TUBING TOP RAIL</i>	910-01-03	
1B	RECTANGULAR TUBING TOP RAIL (NOT INSTALLED)		
	3" X 4" X 3/16"	910-01-16	
	3" X 4" X 1/4"	910-01-17	
1C	SQUARE TUBING ANGLED TOP RAIL (NOT INSTALLED)		
	4" X 4" X 3/16"	910-01-20	
	4" X 4" X 1/4"	910-01-21	
3	BOARD POCKET SUPPORT	910-01-06	
4	DUMP BODY SIDE LOGO (1 3/4" X 6 3/8")	910-01-08	
5	DUMP BODY DIAMOND SIDE LOGO	910-01-09	
6	Z BRACE REINFORCEMENT	910-01-10	



**NEW**

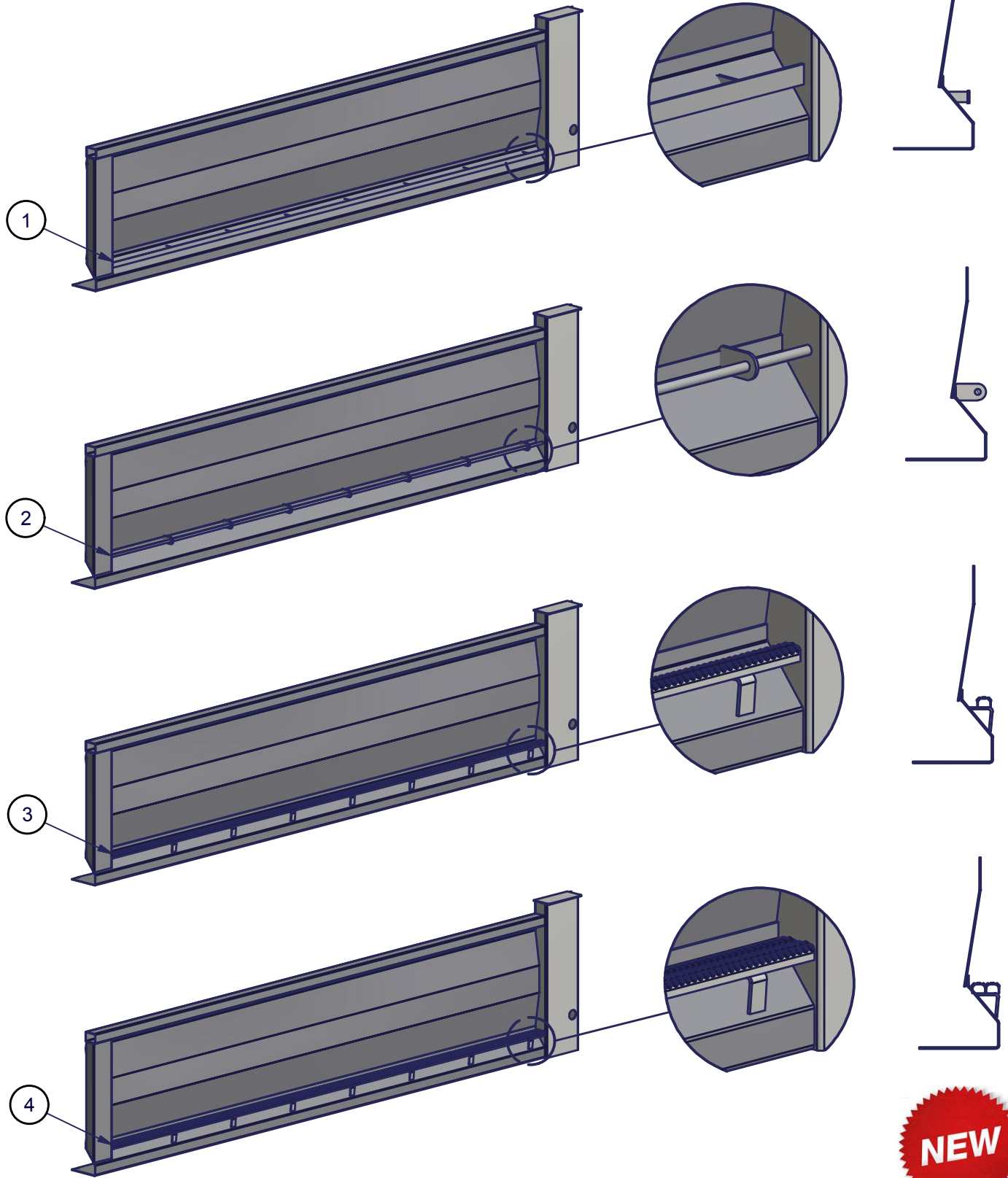


## PART # 910 - BODY REPAIR PARTS

ITEM	DESCRIPTION	# BEAU-ROC	
	<b>**SERIAL NUMBER OF DUMP BODY REQUIRED FOR ALL REPAIR PARTS**</b>		
1	FRONT POST <i>EX: 48" side height replacement post: 48"/ 6" = 8 x \$11.25 = \$90.00</i>	910-01-11D(H)	
2	SIDE POST	910-01-13	
3	REAR POST ASSEMBLY	910-01-12D(H)	
4	RUB RAIL		
	<i>A36 10ga (0.134") *ALL MODELS EXCEPT DH &amp; HTT</i>	910-01-14	
	<i>A36 3/16" (0.1875") *DH &amp; HTT MODELS</i>	910-01-15	
5	8" TRAPEZOIDAL SILL		
	<i>44W 3/16" (0.1875") 80 000 PSI TENSILE STRENGTH</i>	910-08V-44A	
	<i>44W 4ga (0.2242") 80 000 PSI TENSILE STRENGTH</i>	910-08V-44B	
	<i>44W 1/4" (0.250") 80 000 PSI TENSILE STRENGTH</i>	910-08V-44C	
	<i>DOMEX 3/16" (0.1875") 115 000 PSI TENSILE STRENGTH</i>	910-08V-DOX	
6	10" TRAPEZOIDAL SILL		
	<i>44W 3/16" (0.1875") 80 000 PSI TENSILE STRENGTH</i>	910-10V-44A	
	<i>44W 4ga (0.2242") 80 000 PSI TENSILE STRENGTH</i>	910-10V-44B	
	<i>44W 1/4" (0.250") 80 000 PSI TENSILE STRENGTH</i>	910-10V-44C	
	<i>DOMEX 3/16" (0.1875") 115 000 PSI TENSILE STRENGTH</i>	910-10V-DOX	
7	CHANNEL SILLS		
A	<i>8" CHANNEL (C8 X 11.5) *FOR NON-HEATABLE BODIES ONLY</i>	910-08C-NH	
B	<i>8" CHANNEL (C8 X 11.5) WITH FLANGE INSIDE CHANNEL</i>	910-08C-FI	
C	<i>8" CHANNEL (C8 X 11.5) WITH FLANGE OUTSIDE CHANNEL</i>	910-08C-FO	
D	<i>10" CHANNEL (C10 X 15.3) *FOR NON-HEATABLE BODIES ONLY</i>	910-10C-NH	
E	<i>10" CHANNEL (C10 X 15.3) WITH FLANGE INSIDE CHANNEL</i>	910-10C-FI	
F	<i>10" CHANNEL (C10 X 15.3) WITH FLANGE OUTSIDE CHANNEL</i>	910-10C-FO	
8	I-BEAM SILLS		
A	<i>8" I-BEAM (S8 X 18.4) *FOR NON-HEATABLE BODIES ONLY</i>	910-08I-NH	
B	<i>8" I-BEAM (S8 X 18.4) WITH FLANGE</i>	910-08I-FO	
C	<i>10" I-BEAM (S10 X 25.4) *FOR NON-HEATABLE BODIES ONLY</i>	910-10I-NH	
D	<i>10" I-BEAM (S10 X 25.4) WITH FLANGE</i>	910-10I-FO	
9	8" TRAPEZOIDAL SILL COVER	910-08V-COV	
10	10" TRAPEZOIDAL SILL COVER	910-10V-COV	

**PARTS AND ACCESSORIES**

**AUGUST 2017**

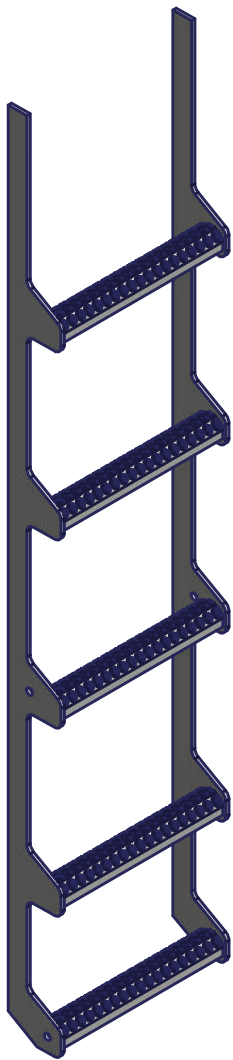


**NEW**



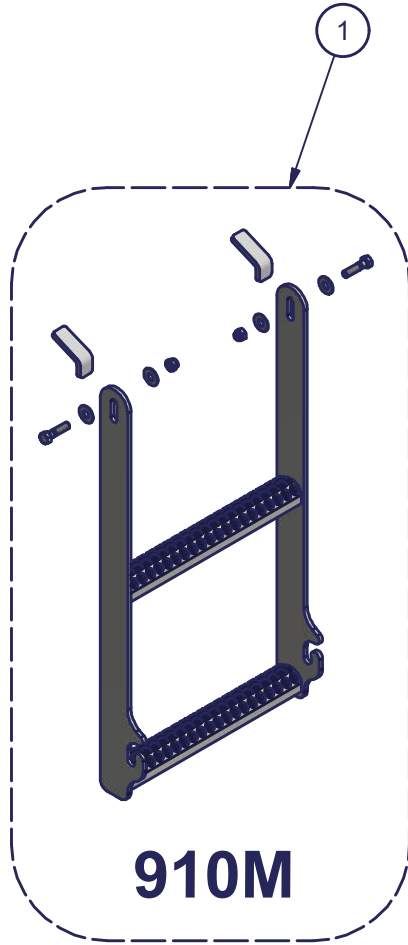
**PART # 910 - TARP RAILS**

ITEM	DESCRIPTION	# BEAU-ROC	
1	FLAT BAR 1 1/2" X 1/4" (INCL. 1 MOUNTING BRACKET PER 2FT)	910-01-FB	
2	ROUND BAR Ø3/4" (INCL. 1 MOUNTING BRACKET PER 2FT)	910-01-RB	
3	GRIP STRUT 1 5/8" WIDE X 1 1/4" (INCL. 1 MOUNTING BRACKET PER 2FT)	910-01-GS	
4	DOUBLE GRIP STRUT 3 1/4" WIDE X 1 1/4" (INCL. 1 MOUNTING BRACKET PER 2FT)	910-01-DGS	
<i>EXAMPLE: FOR 17FT LENGTH TARP RAIL, 8 MOUNTING BRACKETS ARE INCLUDED</i>			

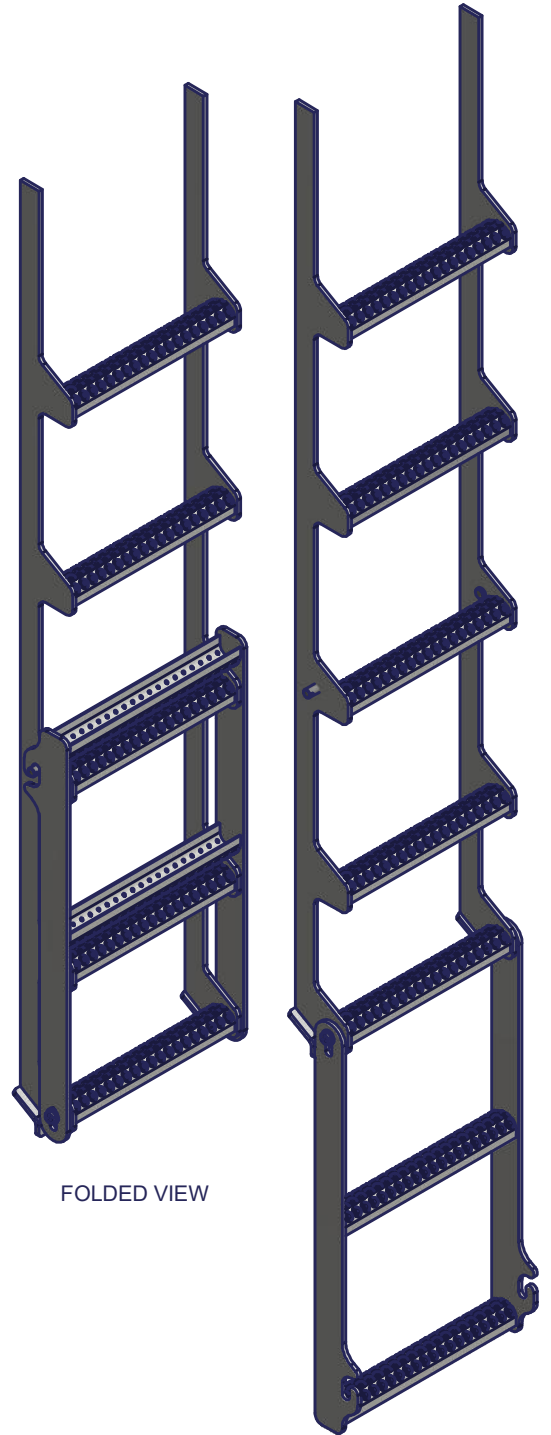


**910F**

24" to 90" SIDES



**910M**

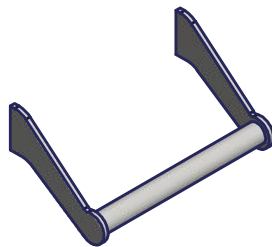


FOLDED VIEW

UNFOLDED VIEW

**910FM**

24" to 90" SIDES



**910S**



AUGUST 2017

PART:

**910F-910FM**

TITLE:

**LADDERS**

# PART # 910F-910FM-910S - LADDERS

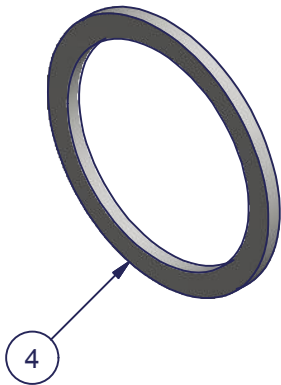
DESCRIPTION				
1.	<b>PART</b>	<b>TYPE CODE</b>		
	910	F	+ M	S
2.	<b>HEIGHT</b>	+		+
	24" side	24-30 (3 steps)	HINGED SECTION (adds 2 steps)	2
	30" side			
	36" side	36-42 (4 steps)		3
	42" side			5
	48" side	48-54 (5 steps)		6
	54" side			
	60" side	60-66 (6 steps)		7
	66" side			
	72" side	72-78 (7 steps)		8
	84" side			9
	96" side	84-90 (8 steps)		10
3.	<b>INSTALLATION</b>	+		
	Installed	I		
	Non-installed	N		

**EXAMPLES:**

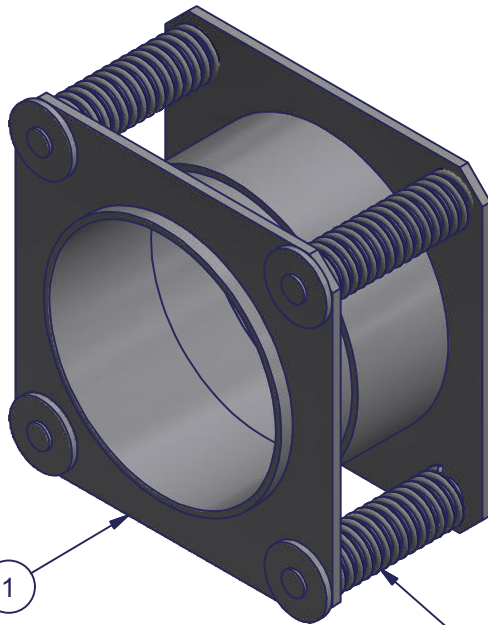
CODE 1	CODE 2
910F	910S
-	-
48-54	6
-	-
I	N
910F-48-54-I	910S-6-N

## ACCESSORIES

1	MOBILE STEPS AND MOUNTING HARDWARE	910M	

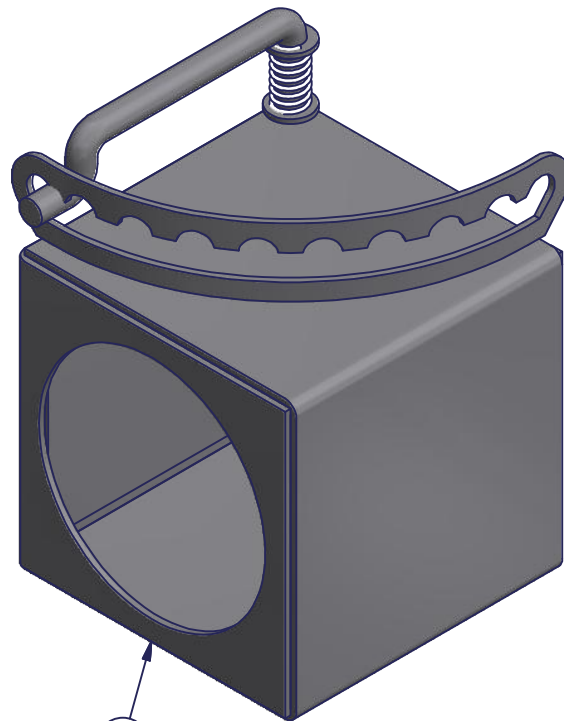


WEIGHT : 0.4 LBS (5" TO 4")



WEIGHT : 8.0 LBS

5



WEIGHT : 7.75 LBS (4" KIT)

WEIGHT : 7.5 LBS (5" KIT)

**COMPLETE KIT:**

**A** WEIGHT : 15.75 LBS (4" KIT)

**B** WEIGHT : 15.9 LBS (5" KIT)



AUGUST 2017

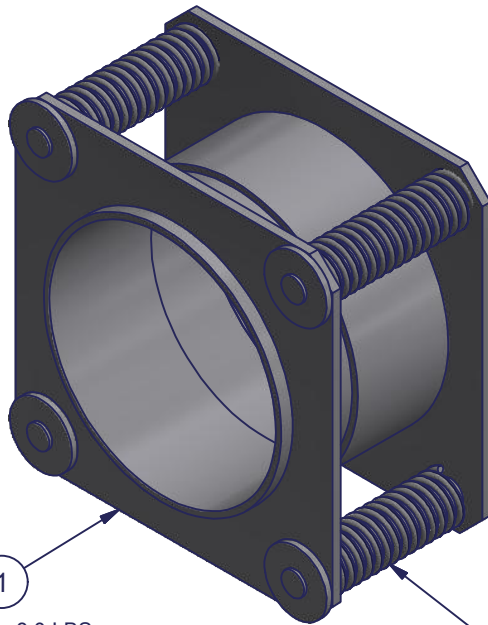
PART:

**180**

TITLE:

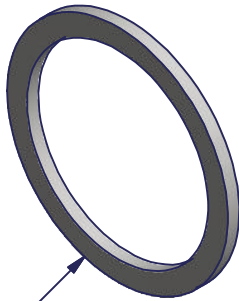
**ADJUSTABLE HEATING & SPRING BOX  
KIT**





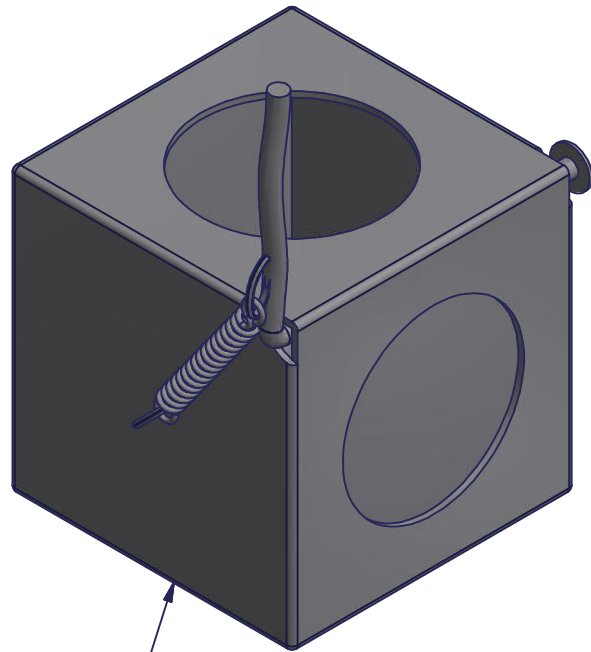
WEIGHT : 8.0 LBS

5



WEIGHT : 0.4 LBS (5" TO 4")

4



2C WEIGHT : 7.5 LBS (4" KIT)

3D WEIGHT : 7 LBS (5" KIT)

**COMPLETE KIT:**

**C** WEIGHT : 15.5 LBS (4" KIT)

**D** WEIGHT : 15.4 LBS (5" KIT)



AUGUST 2017

PART:

181

TITLE:

HEATING & SPRING BOX KIT

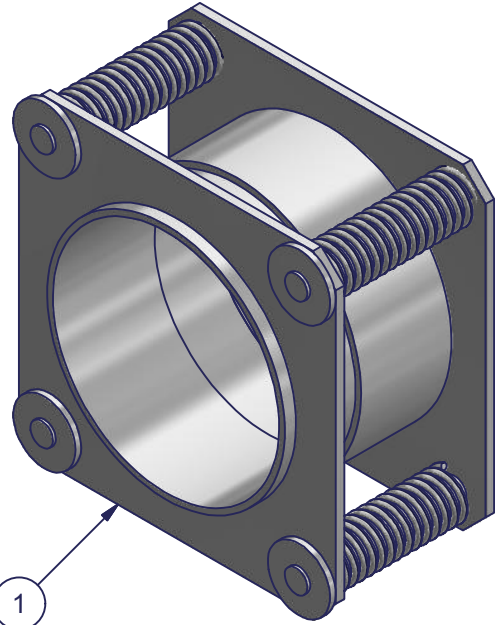


## PART # 181 - HEATING & SPRING BOX KIT

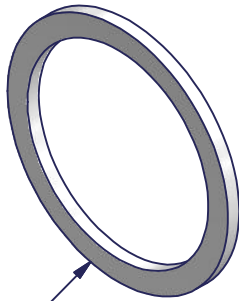
ITEM	DESCRIPTION	# BEAU-ROC	
<b>C</b>	<b>HEATING &amp; SPRING BOX KIT 4"</b>	<b>181-04-1X</b>	
2C	HEATING BOX 4"	181-4X	
<b>D</b>	<b>HEATING &amp; SPRING BOX KIT 5"</b>	<b>181-05-1X</b>	
3D	HEATING BOX 5"	181-5X	
	<i><b>COMMON PARTS</b></i>		
1	SPRING BOX	180-1X	
4	REDUCER RING (5" TO 4")	180-02	
	<i><b>REPLACEMENT PARTS</b></i>		
5	HEATING BOX SPRING	180-01-5	

**PARTS AND ACCESSORIES**

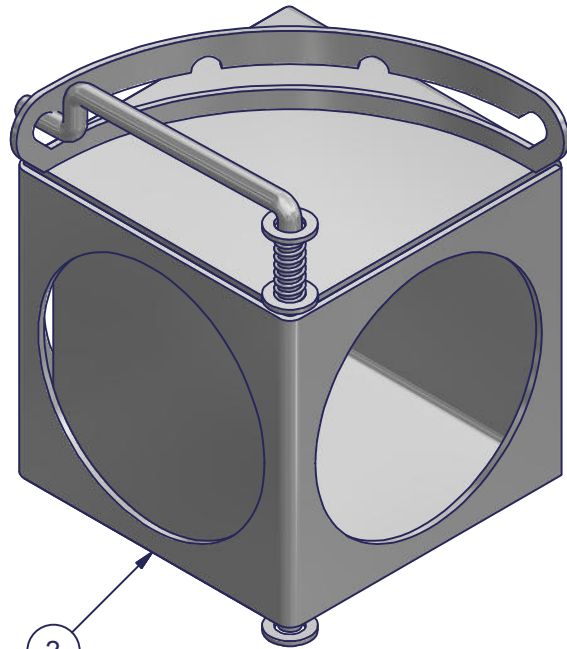
**AUGUST 2017**



WEIGHT : 8.2 LBS



WEIGHT : 0.44 LBS (5" TO 4")



WEIGHT : 7.4 LBS (5" KIT)

**COMPLETE KIT:**

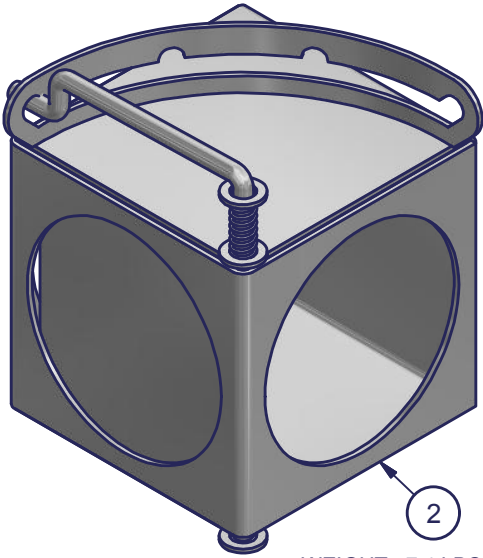
**E** WEIGHT : 16.04 LBS (5" KIT)

## PART # 182 - ADJUSTABLE HEATING & SPRING BOX KIT (SS 304)

ITEM	DESCRIPTION	# BEAU-ROC	
<b>E</b>	<b>ADJUSTABLE HEATING &amp; SPRING BOX KIT 5"</b> <i>STAINLESS STEEL 304</i>	<b>182-05-1X</b>	
1	SPRING BOX <i>(STAINLESS STEEL 304)</i>	182-1X	
2	HEATING BOX 5" <i>(STAINLESS STEEL 304)</i>	182-5X	
3	REDUCER RING 5" TO 4" <i>(STAINLESS STEEL 304)</i>	182-03	

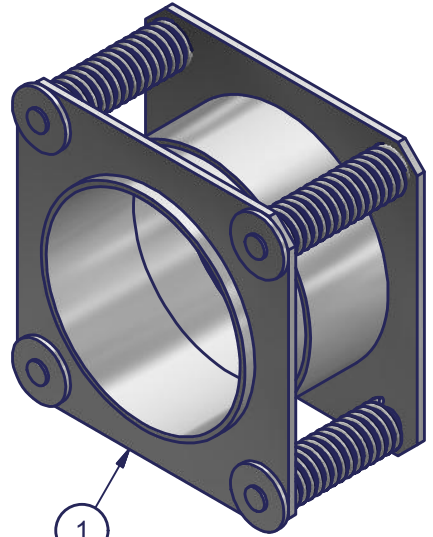
# COMPLETE KIT:

WEIGHT : 20.84 LBS



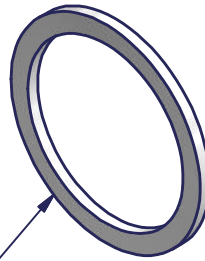
2

WEIGHT : 7.4 LBS (5" KIT)



1

WEIGHT : 8.2 LBS



3

WEIGHT : 0.44 LBS (5" TO 4")



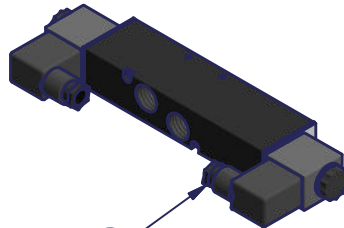
4

WEIGHT : 0.1 LBS



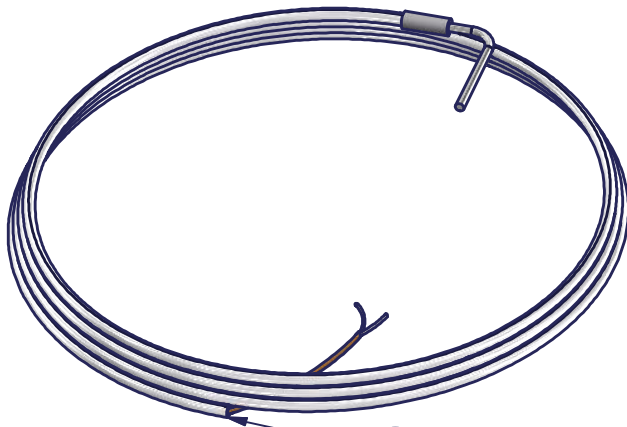
5

WEIGHT : 0.25 LBS



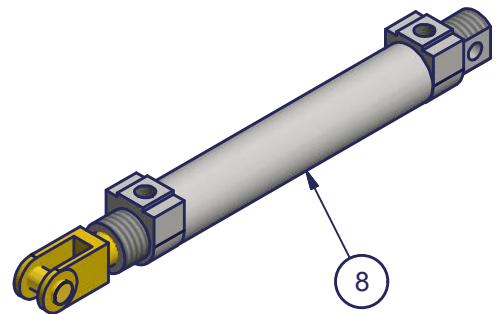
6

WEIGHT : 3.2 LBS



7

WEIGHT : 0.5 LBS



8

WEIGHT : 0.75 LBS



PART:

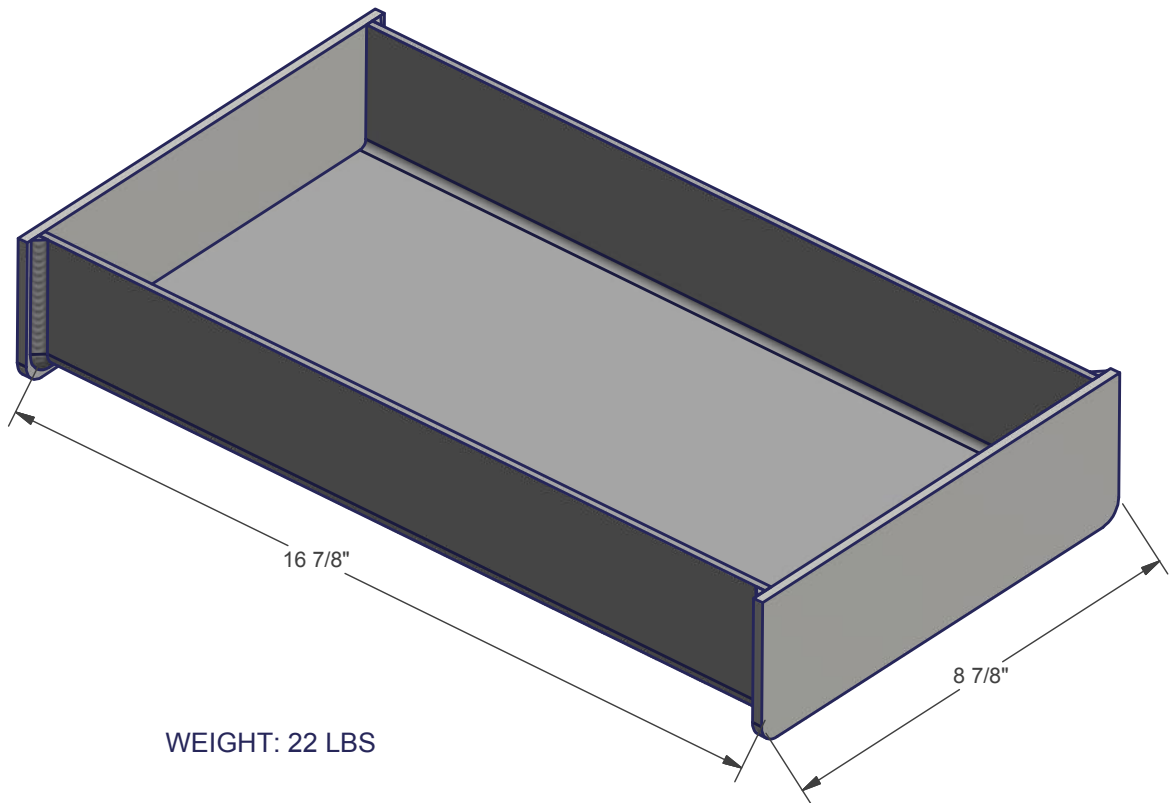
183

TITLE:

THERMO-COUPLED STAINLESS  
STEEL HEAT BOX KIT

## PART # 183 - THERMO-COUPLED HEAT BOX KIT (SS 304)

ITEM	DESCRIPTION	# BEAU-ROC	
	<b>THERMO-COUPLED HEAT BOX KIT 5"</b> <i>STAINLESS STEEL 304</i>	<b>183-05-1X</b>	
1	SPRING BOX ( <i>STAINLESS STEEL 304</i> )	182-1X	
2	HEATING BOX 5" ( <i>STAINLESS STEEL 304</i> )	182-5X	
3	REDUCER RING 5" TO 4" ( <i>STAINLESS STEEL 304</i> )	182-03	
4	HOSE FITTING	183-11	
5	TEMPERATURE DIGITAL CONTROLLER	183-12	
6	DOUBLE ACTION ELECTRO-PNEUMATIC VALVE ( <i>4 WAY 3 POSITION</i> )	811A-4W3PSV	
7	TEMPERATURE PROBE	183-14	
8	AIR CYLINDER ( <i>7/8" BORE X 4" STROKE</i> )	183-4X875	



PART:  
**180-20X**

TITLE:  
**SPRING BOX RE-POSITIONER**



**PART # 180-20X - SPRING BOX RE-POSITIONER**

<b>ITEM</b>	<b>DESCRIPTION</b>	<b># BEAU-ROC</b>	
	<b>SPRING BOX RE-POSITIONER</b>	<b>180-20X</b>	

BODY PROP  
WARNING LABEL

**DANGER**

- DO NOT GO UNDER RAISED BODY. IT MAY DROP UNEXPECTEDLY AND RESULT IN AN INJURY.

- OPERATE HOIST CONTROLS ONLY FROM INSIDE TRUCK CAB.

- NE PAS CIRULER SOUS UNE BENNE SOULEVÉE. ELLE POURRAIT S'ABAISSEUR SoudAINEMENT ET VOUS BLESSER SÉRIEUSEMENT.

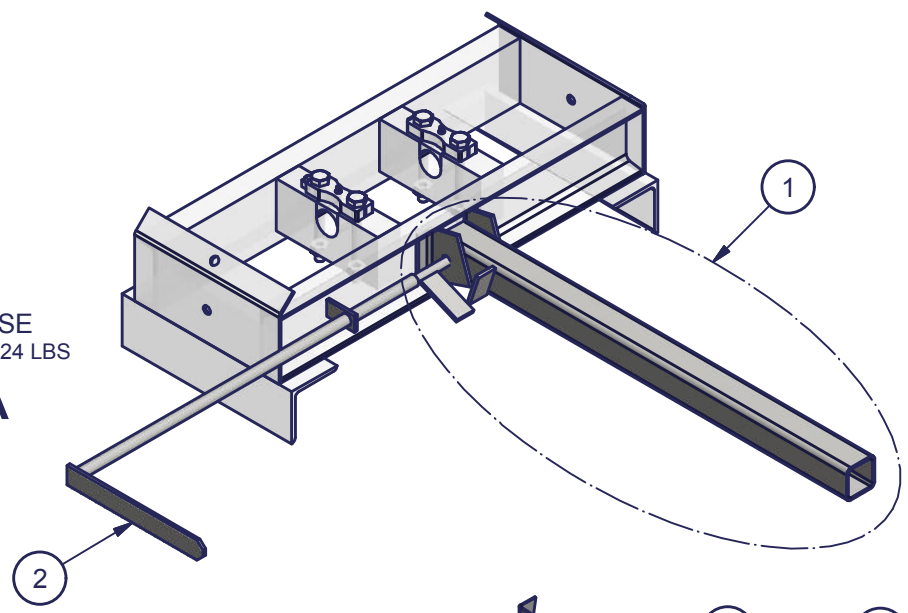
- MANIPULER LES CONTRÔLES DU CYLINDRE DE L'INTÉRIEUR DE LA CABINE.



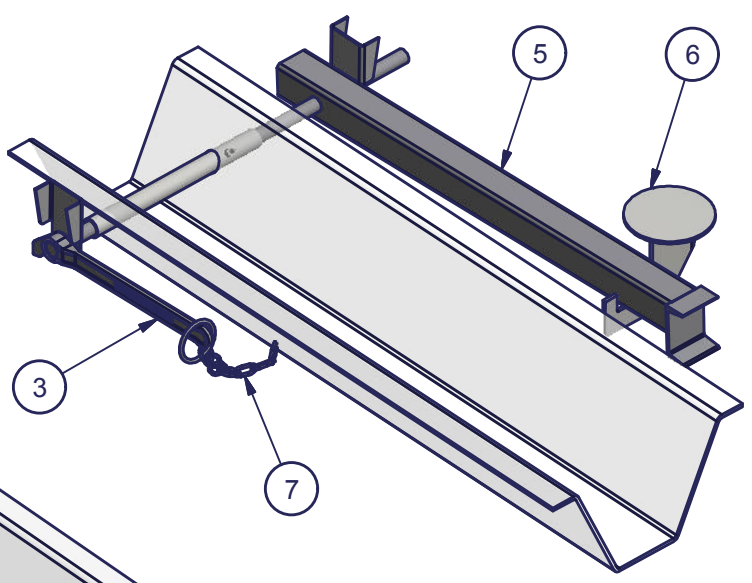
**BEAU-ROC INC.**

4

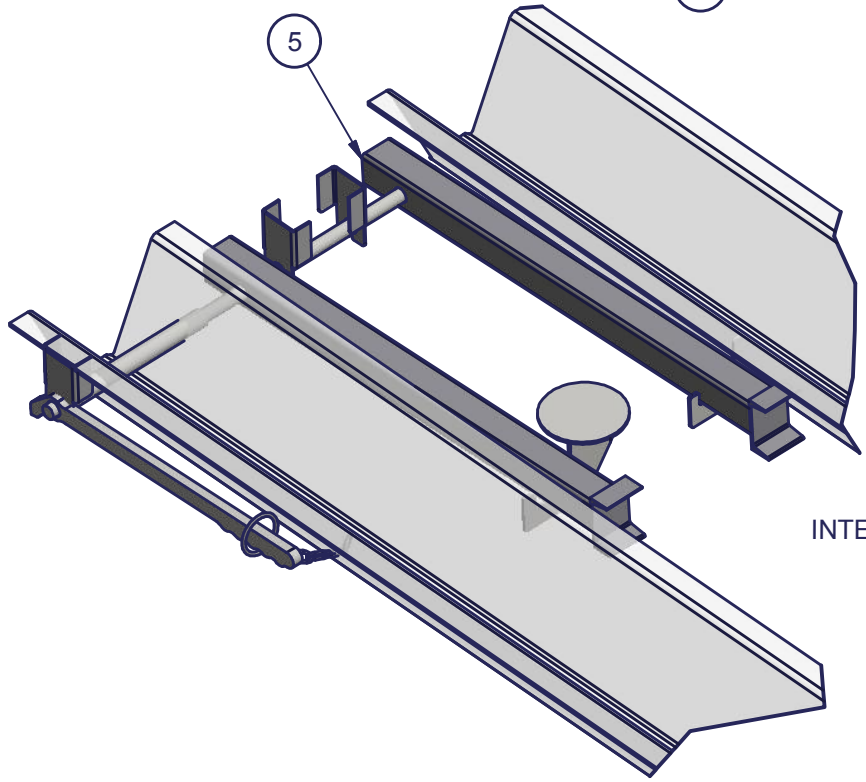
LOOSE  
WEIGHT: 24 LBS  
**A**



INTEGRATED SINGLE  
WEIGHT: 31 LBS  
**B**



INTEGRATED DOUBLE  
WEIGHT: 50 LBS  
**C**



PART:  
**270-271**

TITLE:  
**BODY PROP STD & INTEGRATED MODELS**

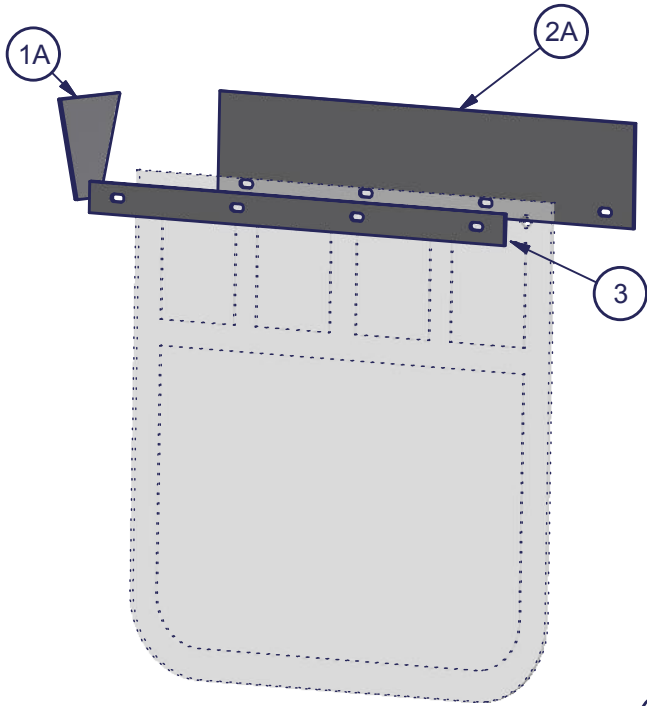


## PART # 270-271 - BODY PROP STD & INTEGRATED MODELS

ITEM	DESCRIPTION	# BEAU-ROC	
<b>A</b>	<b>BODY PROP KIT 8-45T LOOSE</b>	<b>270-06-45T</b>	
1	BODY PROP	270-01X	
2	PIPE HANDLE	270-07	
<b>B</b>	<b>INTEGRATED BODY PROP KIT</b>	<b>271-06-45T</b>	
	<b>INTEGRATED BODY PROP KIT (INSTALLED)</b>	<b>271-06-45TI</b>	
3	BODY PROP MOLDED HANDLE	271-01	
5	BODY PROP TUBE (2 1/2" X 2 1/2" X 3/16" tubing X 36" long)	271-03	
<b>C</b>	<b>INTEGRATED DOUBLE BODY PROP KIT</b>	<b>271-24-55T</b>	
	<b>INTEGRATED DOUBLE BODY PROP KIT (INSTALLED)</b>	<b>271-24-55TI</b>	
	<i>COMMON PARTS</i>		
4	BODY PROP WARNING LABEL	1003-270-01	
6	BODY PROP STOWING BRACKET	271-13X	
7	SAFETY CHAIN	812-04-01X	
	<b>NOTES: SOME RESTRICTIONS APPLY (Item B &amp; C)</b>		
	*12" Recess only.		
	*Standard sills (not applicable with I-Beams or "C" Channels).		
	*Not compatible with manual tailgate mechanism.		
	*May interfere with air tarp system on small bodies (12' & less).		

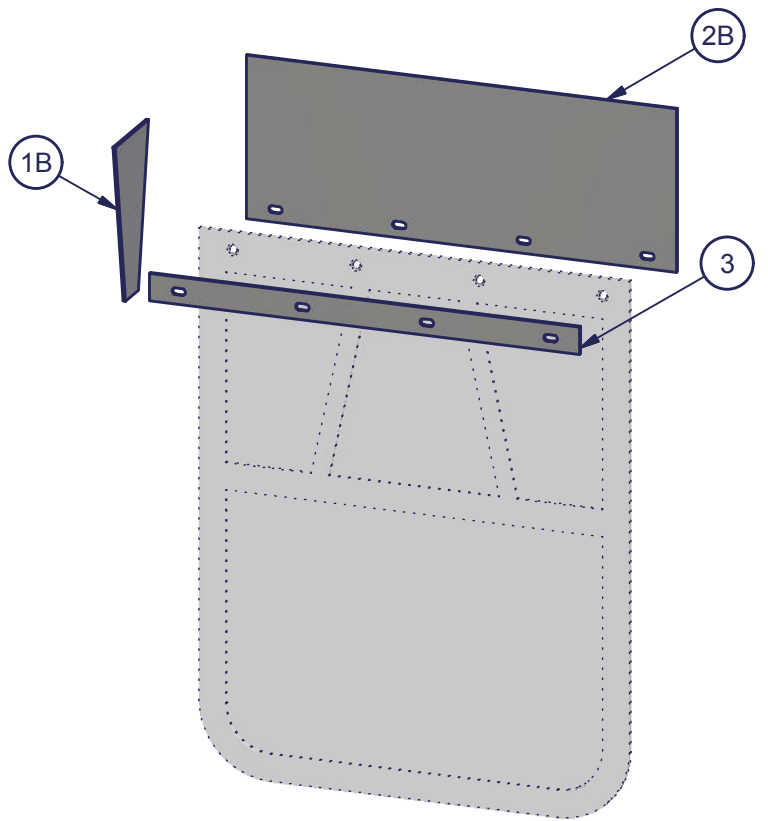
**PARTS AND ACCESSORIES**

**AUGUST 2017**



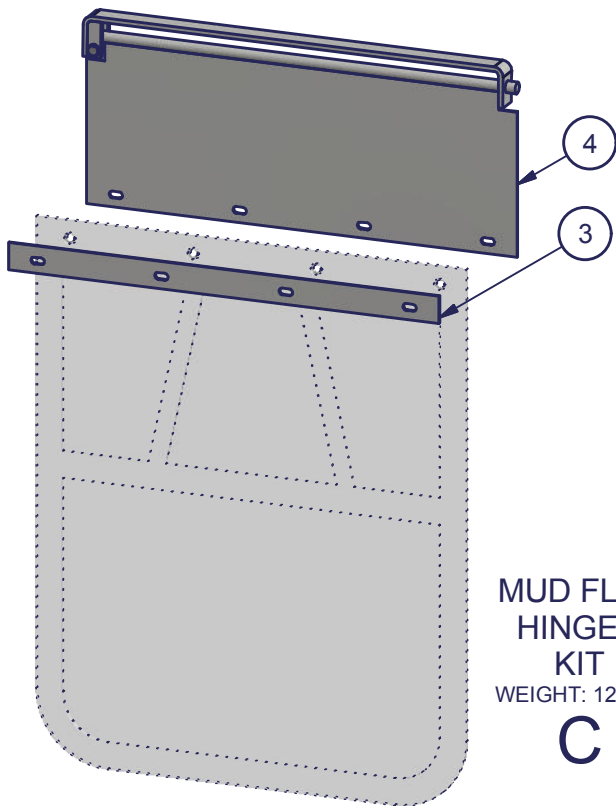
FRONT KIT  
WEIGHT: 6 LBS

**A**



REAR KIT  
WEIGHT: 10 LBS

**B**



MUD FLAP  
HINGED  
KIT  
WEIGHT: 12 LBS

**C**



AUGUST 2017

PART:

**160**

TITLE:

**MUD FLAP BRACKET KITS**

## PART # 160 - MUD FLAP BRACKET KITS

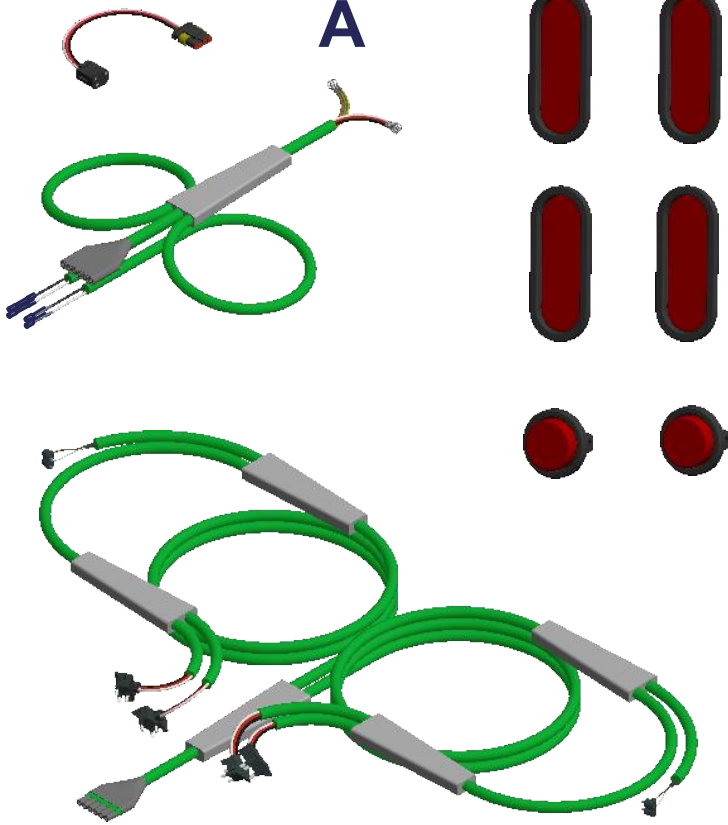
ITEM	DESCRIPTION	# BEAU-ROC	
<b>A-B</b>	<b>COMPLETE MUD FLAP BRACKET KIT</b> (QTY=2) <i>MUD FLAPS NOT INCLUDED</i>	<b>160-14X</b>	
<b>A-B</b>	<b>DOUBLE COMPLETE MUD FLAP BRACKET KIT</b> (QTY=4) <i>MUD FLAPS NOT INCLUDED</i>	<b>160-14X-2</b>	
<b>A</b>	<b>MUD FLAP BRACKET KIT 5" - FRONT</b> (QTY=2) <i>MUD FLAPS NOT INCLUDED</i>	<b>160-5X</b>	
1A	END STIFFENER (5" HIGH)	160-05-01	
2A	MUD FLAP PLATE (5" HIGH)	160-05-02	
<b>B</b>	<b>MUD FLAP BRACKET KIT 9" - REAR</b> (QTY=2) <i>MUD FLAPS NOT INCLUDED</i>	<b>160-9X</b>	
1B	END STIFFENER (9" HIGH)	160-09-01	
2B	MUD FLAP PLATE (9" HIGH)	160-09-02	
<b>A-C</b>	<b>COMPLETE MUD FLAP BRACKET HINGED KIT</b> (QTY=2) <i>MUD FLAPS NOT INCLUDED</i>	<b>160-15X</b>	
<b>C</b>	<b>MUD FLAP BRACKET HINGED KIT</b> (QTY=2) <i>MUD FLAPS NOT INCLUDED</i>	<b>160-4X</b>	
4	MUD FLAP HINGED PLATE	160-02	
	<b>COMMON PARTS</b>		
3	MUD FLAP BRACKET BRACE	160-01	

**PARTS AND ACCESSORIES**

**AUGUST 2017**

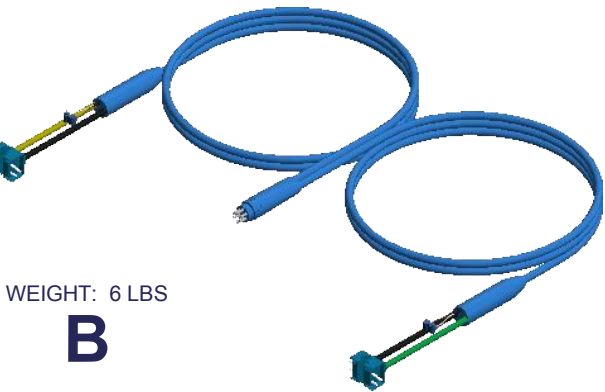
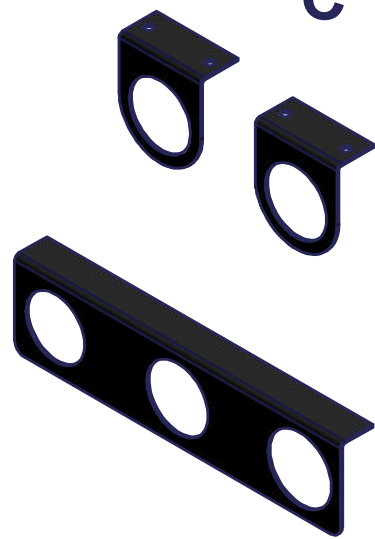
WEIGHT: 8 LBS

**A**



WEIGHT: 2 LBS

**C**



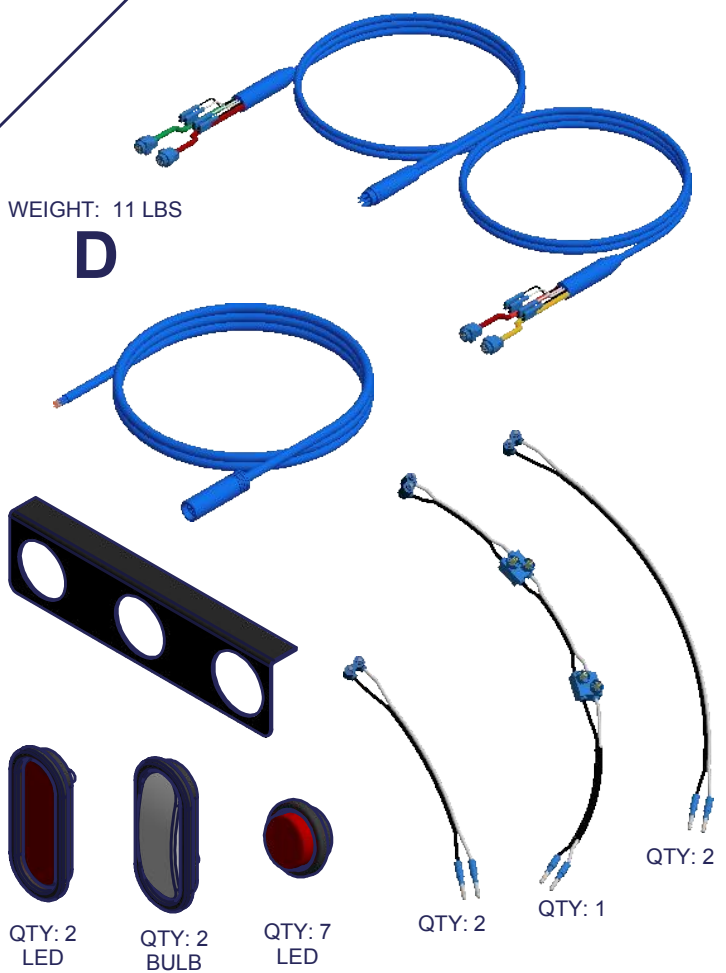
WEIGHT: 6 LBS

**B**



WEIGHT: 11 LBS

**D**



QTY: 2  
LED

QTY: 2  
BULB

QTY: 7  
LED

QTY: 2

QTY: 1

QTY: 2



PART:

**911**

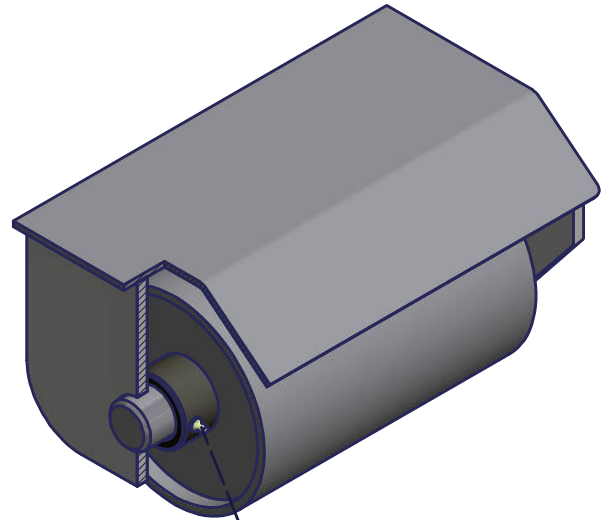
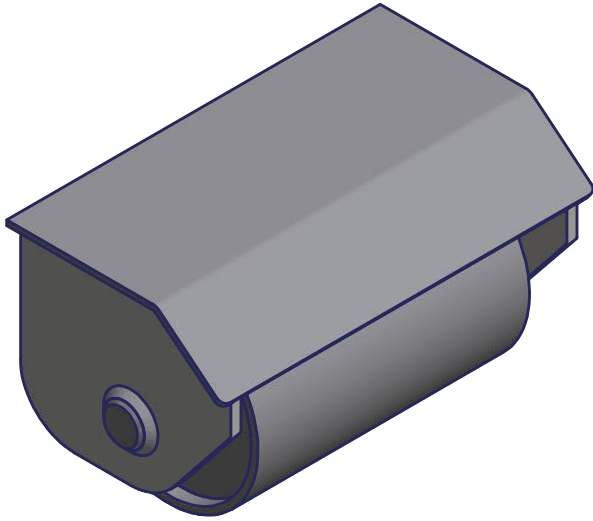
TITLE:

**WIRING HARNESS & LIGHT KITS**



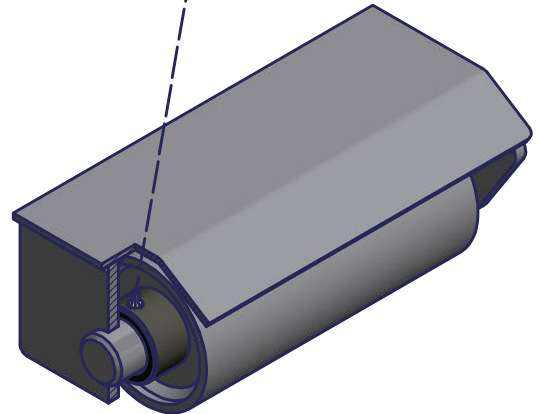
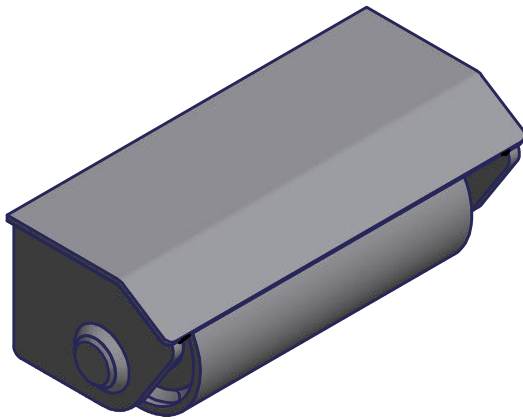
## PART # 911 - WIRING HARNESS & LIGHT KITS

ITEM	DESCRIPTION	# BEAU-ROC	
<b>A</b>	<b>WIRING HARNESS &amp; LIGHT KIT (VOLTFLEX)</b> <i>(2x round, 4x oval LED lights &amp; grommets)</i> <small>Note: Discontinued item, available while supplies last</small>	<b>911-03X</b>	
<b>B</b>	<b>WIRING HARNESS KIT (9 ENDS) (GROTE)</b>	<b>911-01X</b>	
<b>C</b>	<b>LIGHT BRACKET KIT</b>	<b>911-05X</b>	
<b>D</b>	<b>WIRING HARNESS &amp; LIGHT KIT (GROTE)</b> <i>(7x round, 2x oval LED, 2x oval bulbs lights, grommets &amp; 1x light bracket)</i>	<b>911-06X</b>	



STANDARD ROLLERS  
WEIGHT: 42 LBS ea.

A



SMALL ROLLERS  
WEIGHT: 30 LBS ea.

B



AUGUST 2017

PART:

750

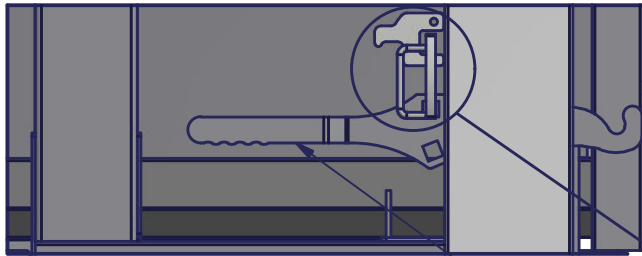
TITLE:

DIAMOND  
BODY LINE  
HOOK LIFT ROLLERS

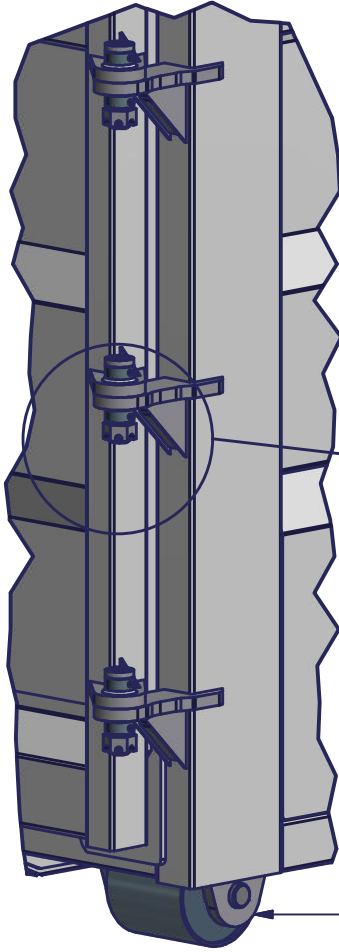


# PART # 750 - HOOK LIFT ROLLERS

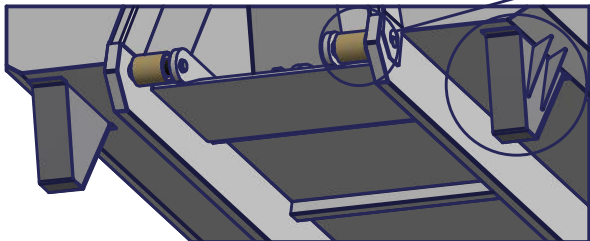
ITEM	DESCRIPTION	# BEAU-ROC	
A	STANDARD HOOK LIFT ROLLER KIT (6 5/8" DIA. X 10") (INSTALLED)	750-02XI	
	STANDARD HOOK LIFT ROLLER KIT (6 5/8" DIA. X 10") (NON-INSTALLED)	750-02X	
B	SMALL HOOK LIFT ROLLER KIT (4 1/2" DIA. X 10") (INSTALLED)	750-01XI	
	SMALL HOOK LIFT ROLLER KIT (4 1/2" DIA. X 10") (NON-INSTALLED) NOTE: install with <b>double-acting tailgate</b> mechanism.	750-01X	
	<b>COMMON PARTS</b>		
1	GREASE FITTING 5/16" DRIVE TYPE	GF-3125-DT	



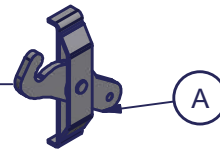
REAR DRIVER SIDE VIEW



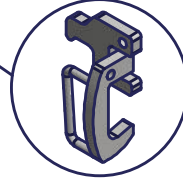
REAR HELPER SIDE VIEW



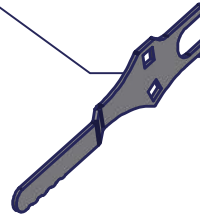
FRONT UNDERNEATH VIEW



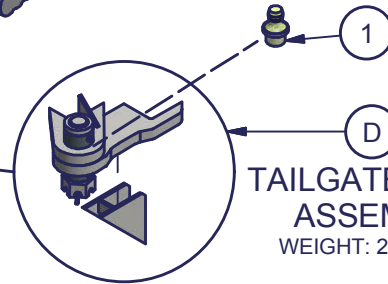
**TAILGATE LATCH ASSEMBLY**  
WEIGHT: 10 1/2 LBS ea.



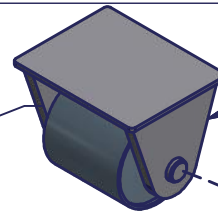
**SAFETY LOCK KIT**  
WEIGHT: 1 1/2 LBS ea.



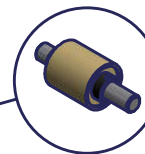
**LOCK HANDLE**  
WEIGHT: 7 LBS ea.



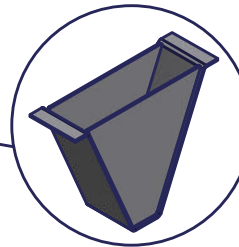
**TAILGATE HINGE ASSEMBLY**  
WEIGHT: 24 LBS ea.



**ROLLER ASSEMBLY**  
WEIGHT: 85 LBS ea.



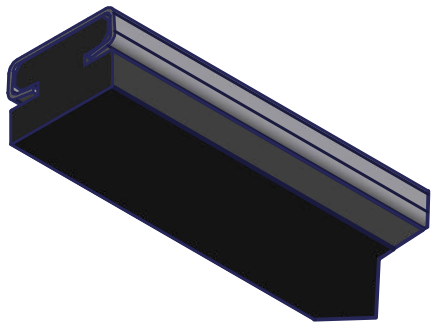
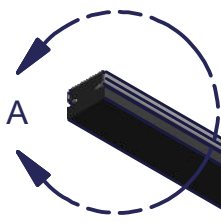
**FRONT ROLLER**  
WEIGHT: 14 LBS ea.



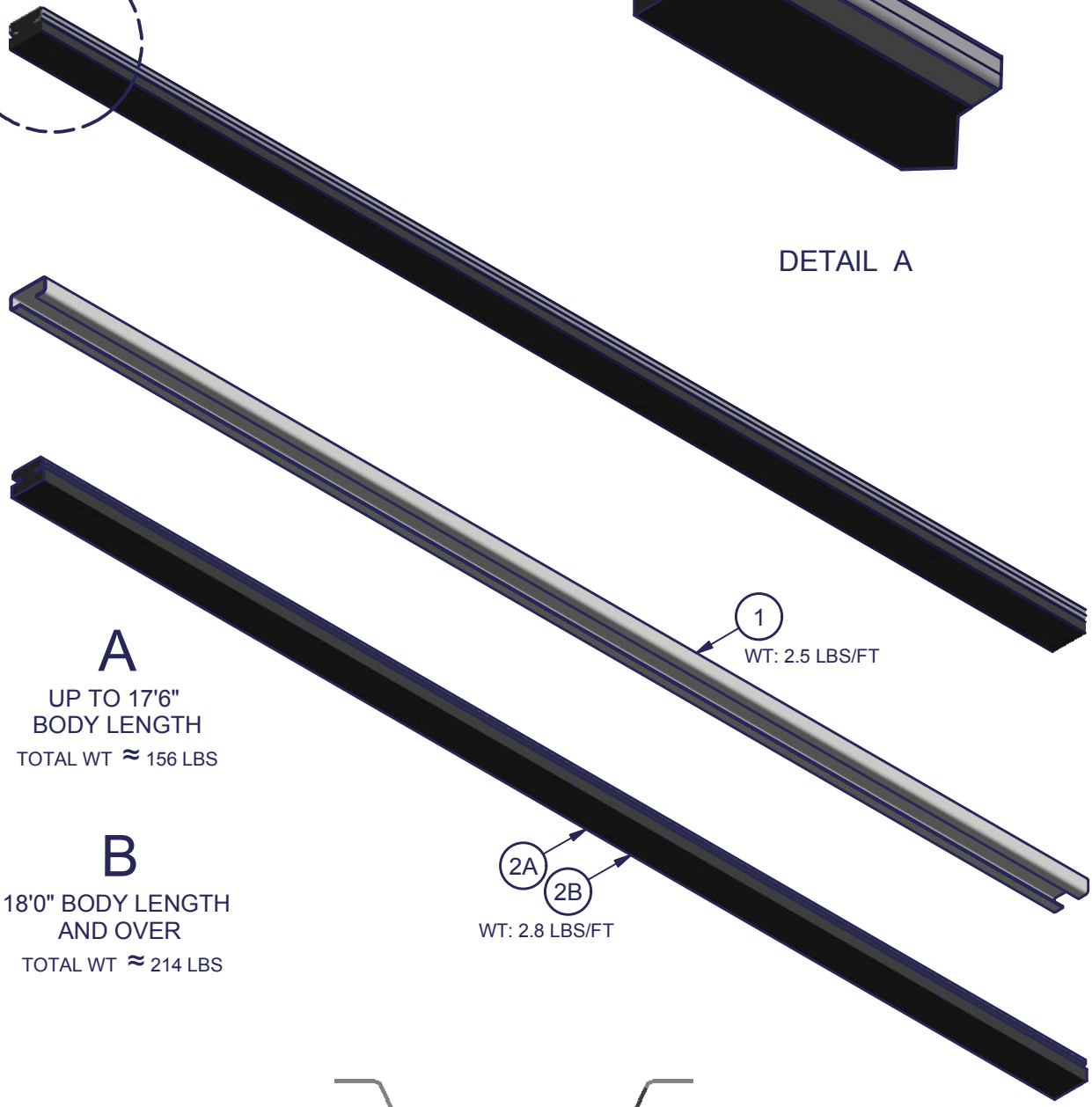
**FRONT FOOT REST**  
WEIGHT: 18 LBS ea.

## PART # 751 - ROLL-OFF REPLACEMENT PARTS

ITEM	DESCRIPTION	# BEAU-ROC	
A	ROLL-OFF TAILGATE LATCH ASSEMBLY <i>(EACH)</i>	751-01	
B	ROLL- OFF SAFETY LOCK <i>(EACH)</i>	751-07	
C	ROLL-OFF LOCK HANDLE <i>(EACH)</i>	751-08	
D	ROLL-OFF TAILGATE HINGE ASSEMBLY <i>(EACH)</i>	751-02	
E	ROLL-OFF ROLLER ASSEMBLY <i>(8 5/8" DIA. X 10") (EACH)</i>	751-04	
F	ROLL-OFF FRONT ROLLER <i>(EACH)</i>	751-05	
	<i>COMMON PARTS D-E &amp; F</i>		
1	GREASE FITTING 5/16" DRIVE TYPE	GF-3125-DT	
G	ROLL-OFF FRONT FOOT REST <i>(EACH)</i>	751-06	

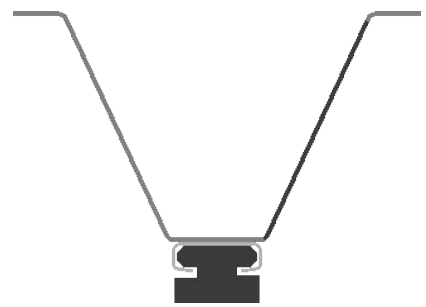


DETAIL A



**A**  
UP TO 17'6"  
BODY LENGTH  
TOTAL WT ≈ 156 LBS

**B**  
18'0" BODY LENGTH  
AND OVER  
TOTAL WT ≈ 214 LBS



PART:  
**187**

TITLE:  
**FULL LENGTH RUBBER  
ISOLATION MOUNT KITS**

# PART # 187 - FULL LENGTH RUBBER ISOLATION MOUNT KITS

ITEM	DESCRIPTION	# BEAU-ROC	
A	RUBBER ISOLATION MOUNT KIT <i>(UP TO 17'6" BODY)</i>	187-01X	
	RUBBER ISOLATION MOUNT KIT <i>(UP TO 17'6" BODY)</i> (INSTALLED)	187-01XI	
B	RUBBER ISOLATION MOUNT KIT <i>(18' BODY AND UP)</i>	187-02X	
	RUBBER ISOLATION MOUNT KIT <i>(18' BODY AND UP)</i> (INSTALLED)	187-02XI	
	<i>COMMON PARTS</i>		
1	RUBBER MOUNTING PLATE CHANNEL <i>(8' LONG)</i> (EACH)	187-03-8	
2	RUBBER EXTRUSION <i>(8' LONG)</i> (EACH)	187-01-080	

PARTS AND ACCESSORIES

AUGUST 2017

**BODY PROP  
WARNING LABEL**

**DANGER**

- DO NOT GO UNDER RAISED BODY. IT MAY DROP UNEXPECTEDLY AND RESULT IN AN INJURY.

- OPERATE HOIST CONTROLS ONLY FROM INSIDE TRUCK CAB.

- NE PAS CIRCULER SOUS UNE BENNE SOULEVÉE, ELLE POURRAIT S'ABAISSEUR SoudAINEMENT ET VOUS BLESSER SÉRIEUSEMENT.

- MANIPULER LES CONTRÔLES DU CYLINDRE DE L'INTÉRIEUR DE LA CABINE.






1

**DUMP BODY GENERAL  
WARNING LABEL**

**WARNING**



**SAFE**      **UNSAFE**

UNSAFE: LOAD UNEVENLY DISTRIBUTED



**FOR SAFE UNLOADING:**

- EVEN LOAD DISTRIBUTION
- FIRM, SOLID GROUND
- LEVEL, FLAT SURFACE

UNSAFE: UNEVEN OR UNSTABLE GROUND

**READ INSTRUCTIONS BEFORE USING DUMP BODY**

UNSAFE: ON SLOPE OR INCLINE

- During unloading, DO NOT ALLOW anyone to stand or move near the body and hoist. STAY AWAY FROM TAILGATE AT ALL TIMES.
- Operator must be in full control of operations at all times while unloading.
- Unlock tailgate before unloading. Keep locked while vehicle is in motion.
- When empty dump box is up or partially upward for maintenance or service (of cylinder) always block securely to avoid accidental lowering by use of a body prop.
- When truck is not in use, dump box must rest on frame (lowered position). Remove key from ignition to avoid tampering by unauthorized personnel.

**BEAUROC** TEL: (613) 443-0044  
WWW.BEAUROC.COM

MODEL: \_\_\_\_\_  
SERIAL: \_\_\_\_\_  
DATE: \_\_\_\_\_ WEIGHT: \_\_\_\_\_

**MADE IN CANADA** 1003-910-03-A

2

**DOUBLE ACTING TAILGATE  
WARNING LABEL**

**CAUTION**

**TAILGATE MUST BE CLOSED & LOCKED BEFORE TOP LATCHES ARE RELEASED**

LA PORTE DOIT ÊTRE FERMÉE ET BARRÉE AVANT DE L'ABAISSEUR EN RETIRANT LES TIGES DE PIVOT SUPÉRIEURES



COMPUERTA TRASERA TIENE QUE ESTAR CERRADA CON CERRADURA DE ABAJO ANTES DE REMOVER CIERRES Y GANCHOS DE ARRIBA



3

**HIGHLIFT & AUTOMATIC  
WARNING LABEL**

**WARNING**

**NEVER STAND UNDERNEATH TAILGATE IT MAY FALL WITHOUT NOTICE**

NE JAMAIS ALLER SOUS UNE PORTE SOULEVÉE, ELLE POURRAIT TOMBER SoudAINEMENT



5

**TAILGATE  
WARNING LABEL**

**CAUTION**

**STAY CLEAR TAILGATE MAY OPEN UNEXPECTEDLY**

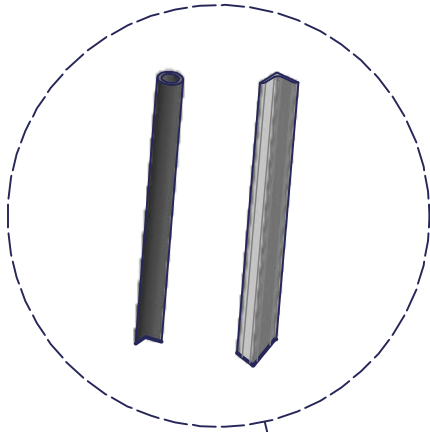
RESTER À L'ÉCART LA PORTE PEUT S'OUVRIR SoudAINEMENT




4

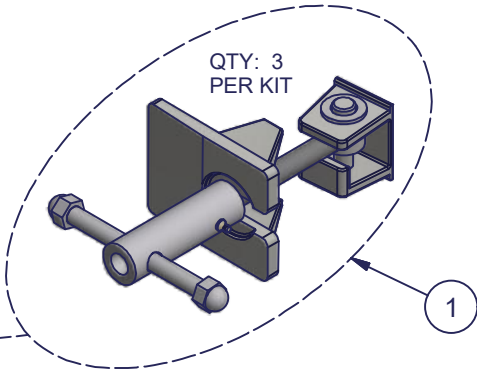
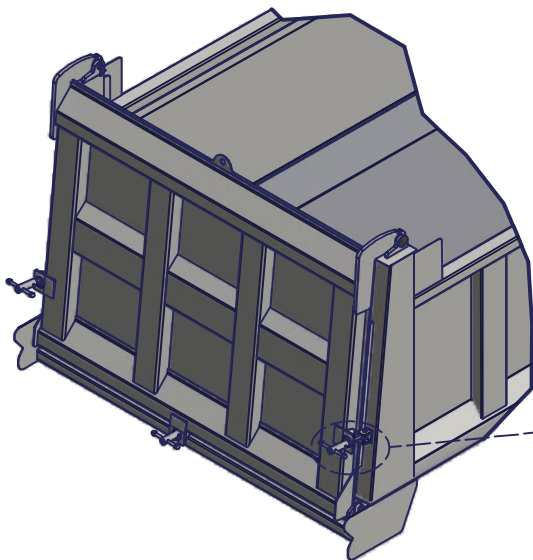
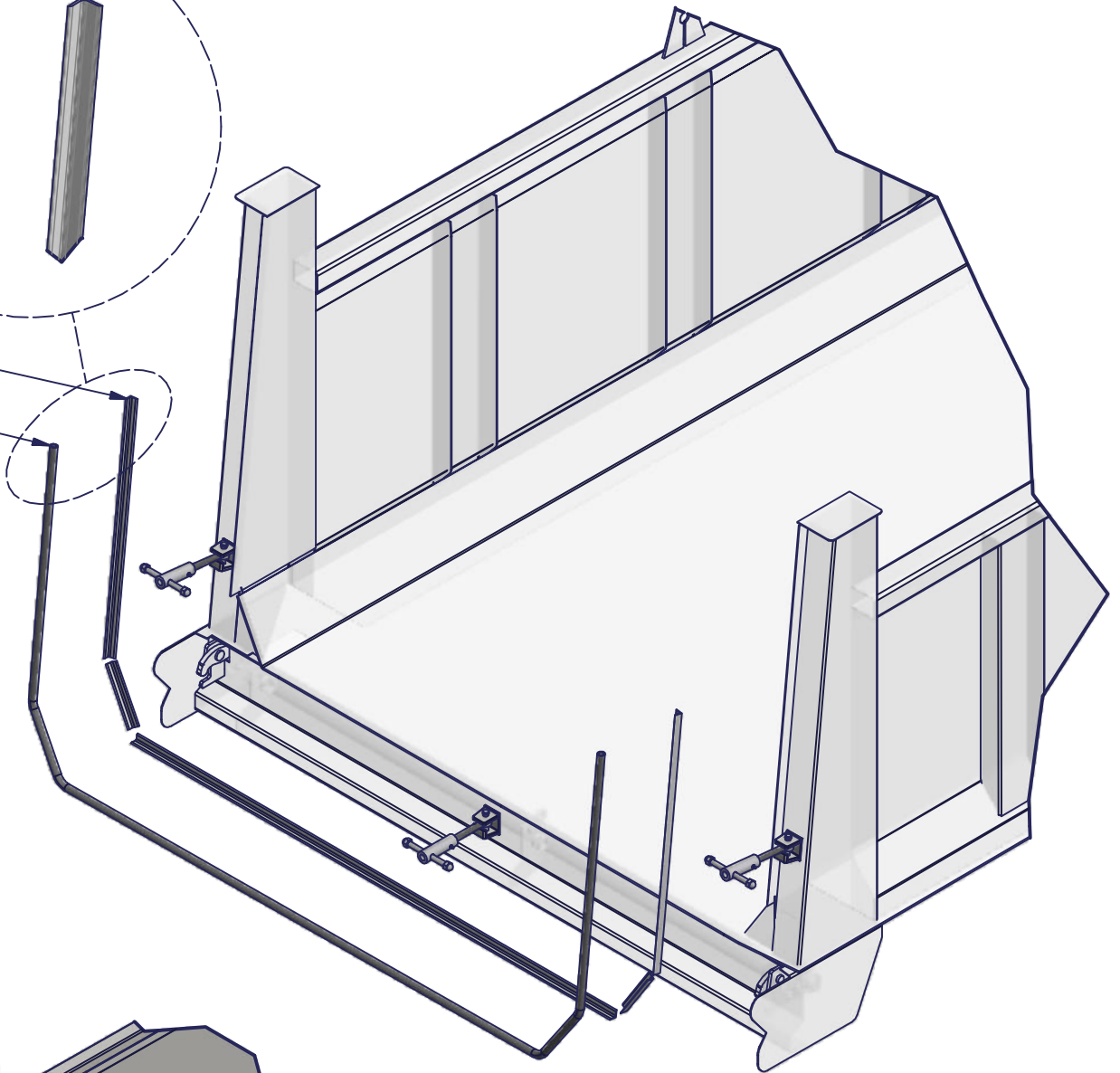






2

3



**NOTE: DIAMOND MODEL TAILGATES MUST BE MADE TO BE 1" WIDER WITH WATER TIGHT SYSTEM INSTALLATIONS.**



OCTOBER 2017

PART:

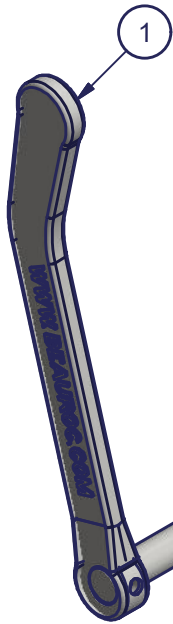
808

TITLE:

WATER TIGHT TAILGATE KIT

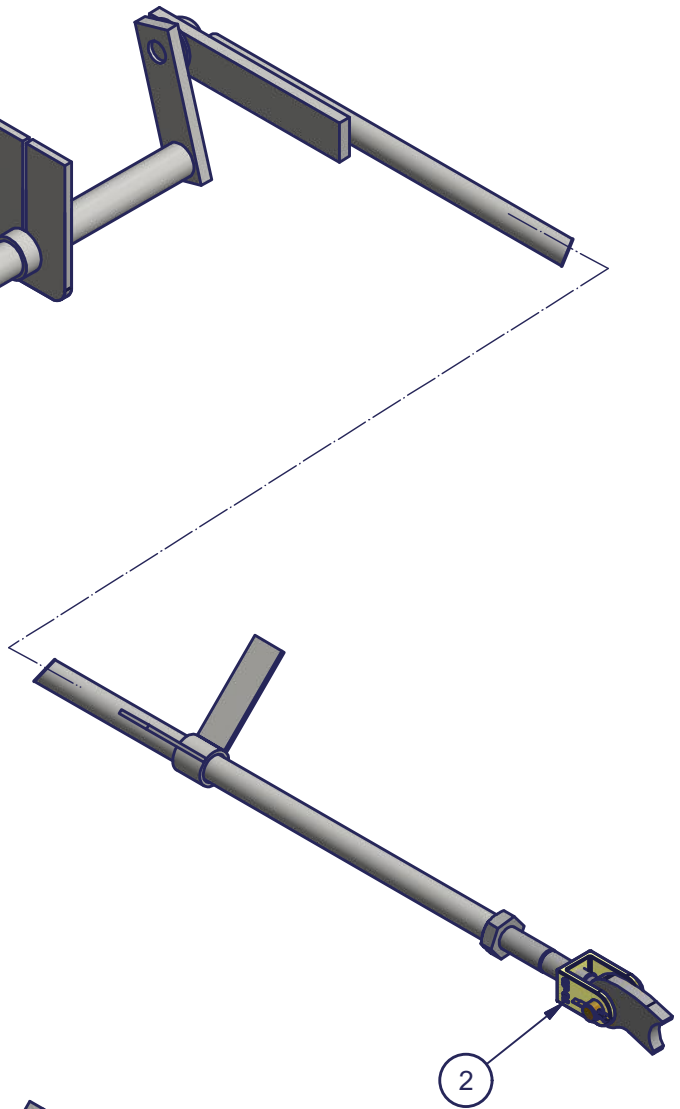
# PART # 808 - WATER TIGHT TAILGATE KIT

ITEM	DESCRIPTION	# BEAU-ROC	
	<b>WATER TIGHT TAILGATE</b> <i>(INSTALLED)</i>	<b>808-1XI</b>	
1	TAILGATE SAFETY LOCK <i>(EACH)</i>	273-01X	
2	ANGLE IRON <i>(1" X 1" X 1/4")</i>	808-01-02	
3	RUBBER HOSE	808-01-03	



COMPLETE KIT  
WEIGHT: 22 LBS

**A**



KIT WITHOUT ROD  
WEIGHT: 15 LBS

**B**



OCTOBER 2017

PART:

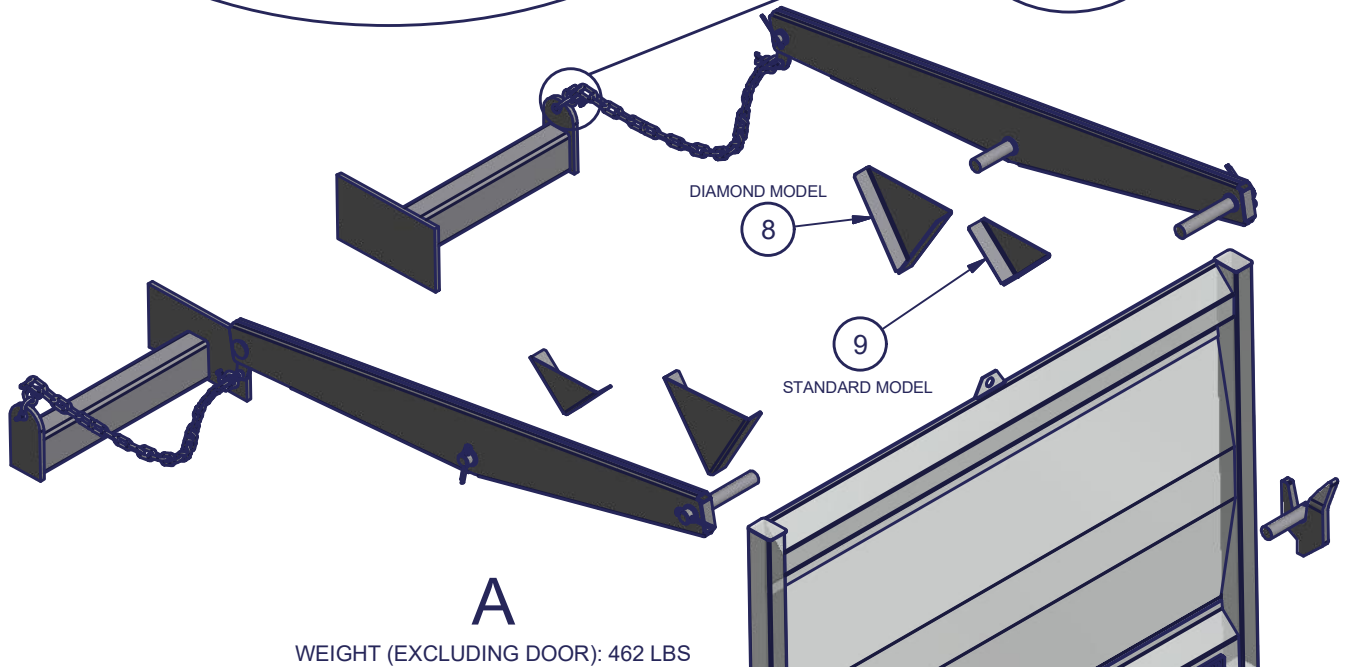
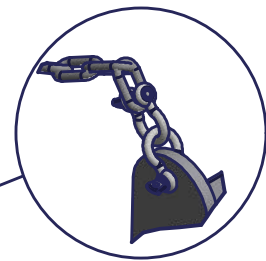
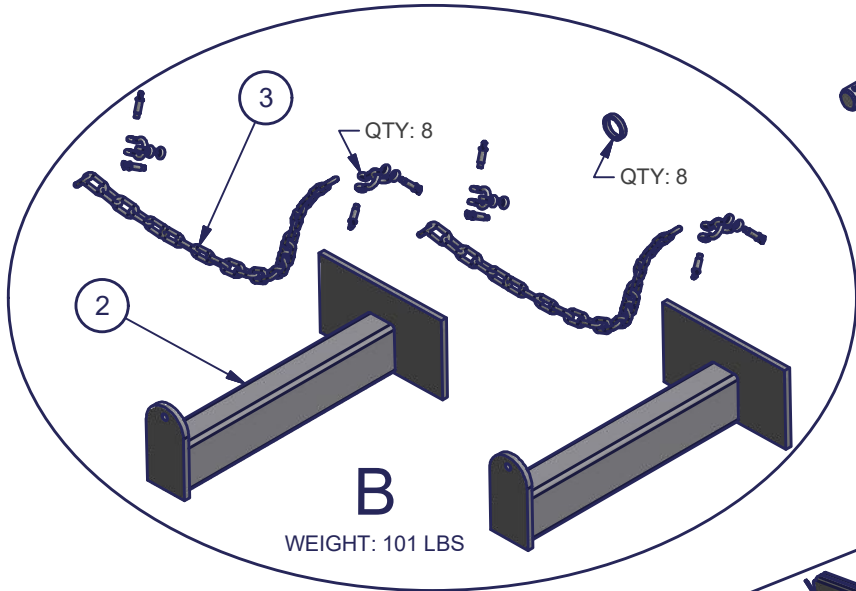
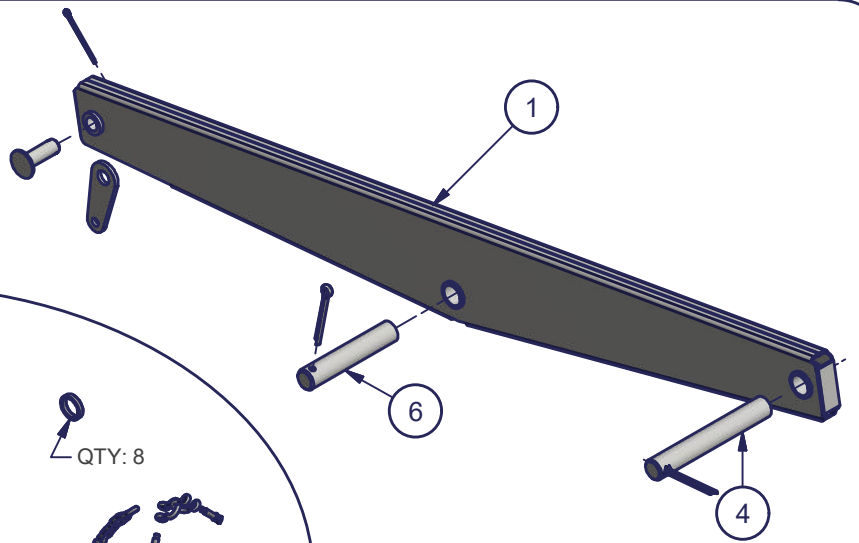
**810**

TITLE:

**MANUAL OPENING  
TAILGATE KIT**

## PART # 810 - MANUAL OPENING TAILGATE KIT

ITEM	DESCRIPTION	# BEAU-ROC	
<b>A</b>	<b>MANUAL OPENING TAILGATE KIT</b>	<b>810-1X</b>	
	<b>MANUAL OPENING TAILGATE KIT <i>(INSTALLED)</i></b>	<b>810-1XI</b>	
<b>B</b>	<b>MANUAL OPENING TAILGATE KIT <i>(WITHOUT ROD)</i></b>	<b>810-1X-02</b>	
	<b><i>COMMON PARTS</i></b>		
1	STANDARD MOLDED BEAU-ROC HANDLE	801-02	
2	1/2" YOKE KIT WITH THREADED ROD	812-07-01C	





## PART # 811 - AUTOMATIC OPENING TAILGATE KIT

ITEM	DESCRIPTION	# BEAU-ROC	
<b>A</b>	<b>AUTOMATIC OPENING TAILGATE KIT</b> <i>(STANDARD MODEL)</i>	<b>811-1X</b>	
	<b>AUTOMATIC OPENING TAILGATE KIT</b> <i>(DIAMOND MODEL)</i>	<b>811-1X-D</b>	
	<b>AUTOMATIC OPENING TAILGATE KIT</b> <i>(INSTALLED)</i>	<b>811-1XI</b>	
<b>B</b>	<b>CHASSIS ATTACHMENT ARM KIT</b>	<b>811-2X</b>	
1	LEFT OR RIGHT ARM <i>(DRIVER OR HELPER) (EACH)</i>	811-01-10X	
2	LEFT OR RIGHT FRAME ATTACHMENT <i>(DRIVER OR HELPER) (EACH)</i>	811-01-11X	
3	GRADE 30 PROOF COIL CHAIN <i>(1/2" X 10 FT) (EACH)</i>	811-01-13	
4	ARM END PIN <i>(13" X 1 7/8") (EACH)</i>	811-09	
5	LOWER TAILGATE PIN <i>(8" X 1 7/8") (EACH)</i>	811-10	
6	ARM PIVOT PIN <i>(10" X 1 7/8") (EACH)</i>	811-07	
7	HIGH-LIFT & AUTOMATIC TAILGATE WARNING LABEL	1003-811-01	
8	PIVOT MOUNTING BRACKET <i>(DIAMOND MODEL) (EACH)</i>	811-01-14	
9	PIVOT MOUNTING BRACKET <i>(STANDARD MODEL) (EACH)</i>	811-01-15	
	<b>NOTE: 18" sloped rear posts.</b>		

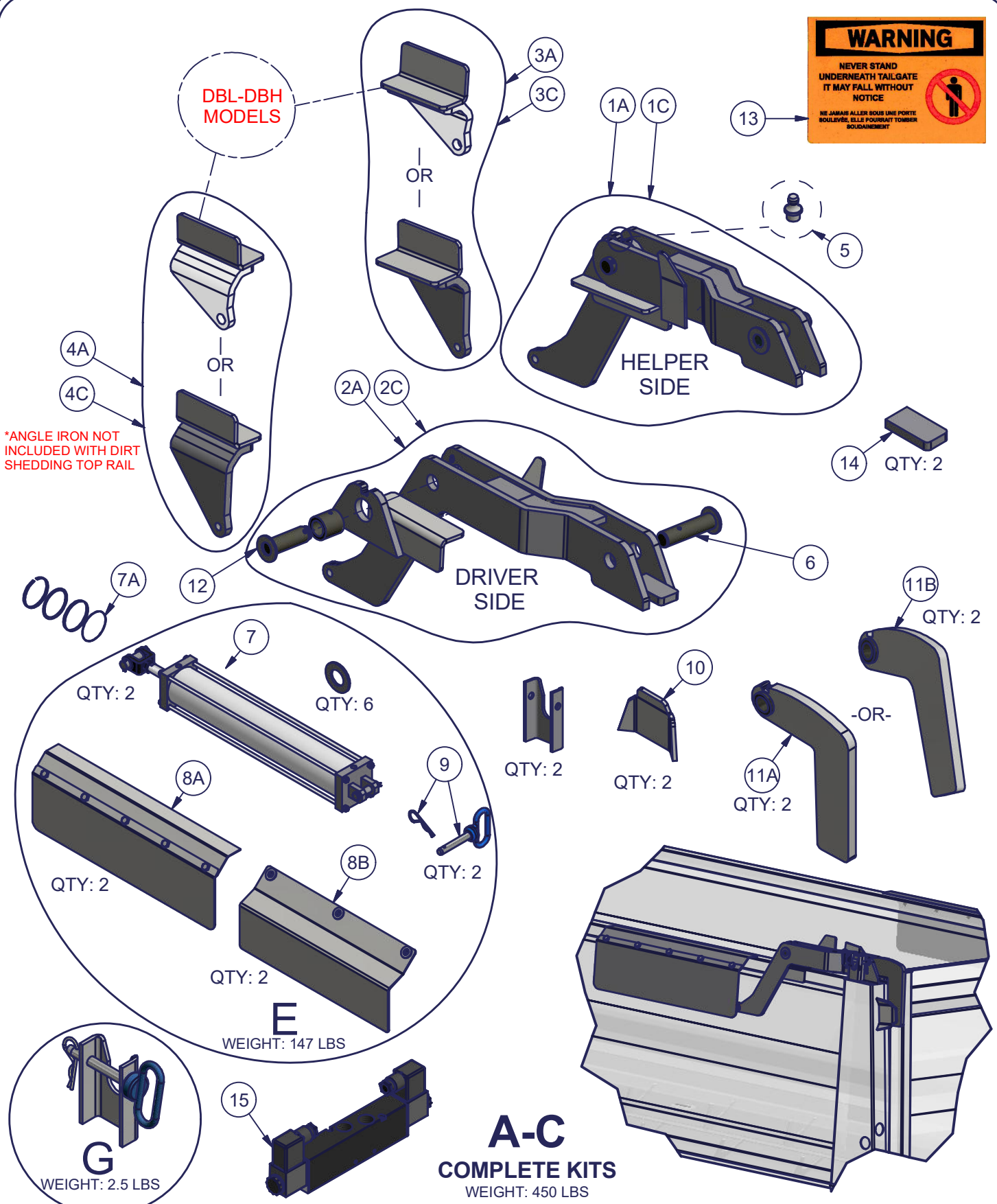
**WARNING**

NEVER STAND UNDERNEATH TAILGATE IT MAY FALL WITHOUT NOTICE

NE JAMAIS ALLER SOUS UNE PORTE BOULÈVÈR, ELLE POURRAIT TOMBER SOUDAINEMENT

**DBL-DBH MODELS**

\*ANGLE IRON NOT INCLUDED WITH DIRT SHEDDING TOP RAIL



VALVE SOLD SEPARATELY

**A-C**  
**COMPLETE KITS**  
 WEIGHT: 450 LBS

**E**  
 WEIGHT: 147 LBS

**G**  
 WEIGHT: 2.5 LBS

<p>OCTOBER 2017</p>	<p>PART:</p> <p><b>811 A-C</b></p>	<p>TITLE:</p> <p><b>AIR HIGH LIFT TAILGATE KIT</b></p>
---------------------	------------------------------------	--

## PART # 811A-C - AIR HIGH LIFT TAILGATE KIT

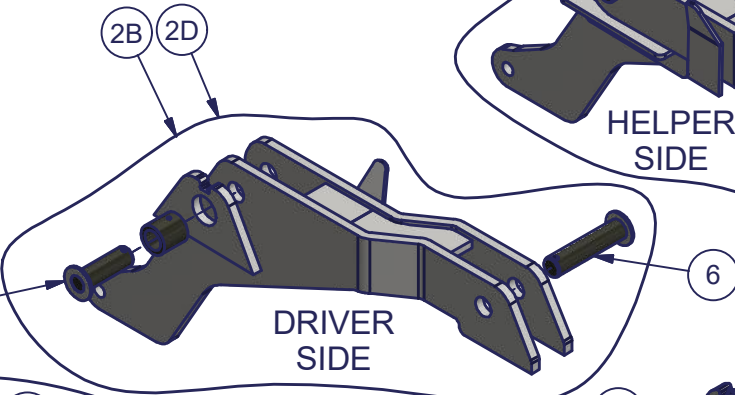
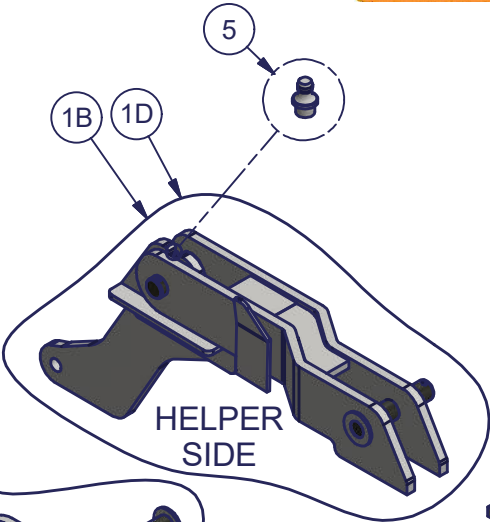
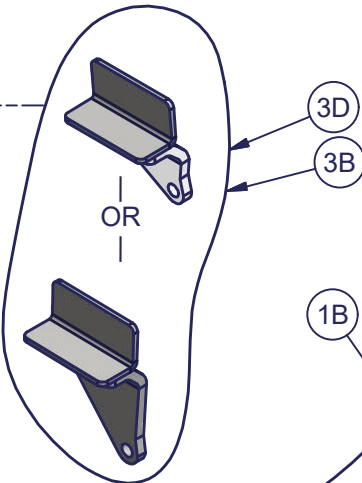
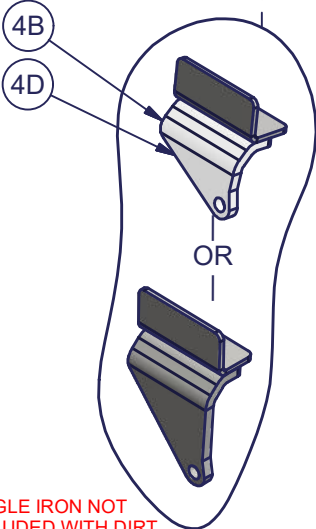
ITEM	DESCRIPTION	# BEAU-ROC	
<b>A</b>	<b>AIR HIGH LIFT TAILGATE KIT (STANDARD)</b>	<b>811A-1X</b>	
	<b>AIR HIGH LIFT TAILGATE KIT (STANDARD - INSTALLED)</b>	<b>811A-1XI</b>	
1A	HELPER'S SIDE ARM KIT (STANDARD)	811A-01-1D	
2A	DRIVER'S SIDE ARM KIT (STANDARD)	811A-01-1G	
3A	HELPER'S SIDE FIXED END KIT (STANDARD)	811A-01-2D	
4A	DRIVER'S SIDE FIXED END KIT (STANDARD)	811A-01-2G	
<b>C</b>	<b>AIR HIGH LIFT TAILGATE KIT (DBL/DBH MODELS)</b>	<b>811C-1X</b>	
	<b>AIR HIGH LIFT TAILGATE KIT (DBL/DBH MODELS - INSTALLED)</b>	<b>811C-1XI</b>	
1C	HELPER'S SIDE ARM KIT (DBL/DBH MODELS)	811C-01-1D	
2C	DRIVER'S SIDE ARM KIT (DBL/DBH MODELS)	811C-01-1G	
3C	HELPER'S SIDE FIXED END KIT (DBL/DBH MODELS)	811C-01-2D	
4C	DRIVER'S SIDE FIXED END KIT (DBL/DBH MODELS)	811C-01-2G	
<b>E</b>	<b>CYLINDER &amp; SAFETY COVER KIT (STANDARD TOP RAILS)</b>	<b>811A-2X</b>	
	<b>CYLINDER &amp; SAFETY COVER KIT (DIRT SHEDDING TOP RAILS)</b>	<b>811A-2X-4X4</b>	
<b>G</b>	<b>HIGH LIFT TAILGATE LOCKING PIN &amp; BRACKET (EACH)</b>	<b>811A-3X</b>	
	<b>COMMON PARTS</b>		
5	GREASE FITTING 5/16" DRIVE TYPE	GF-3125-DT	
6	EXTRA STRONG PIN (1 1/2" DIA. X 6 1/2" PIN) (EACH)	811A-03-2S	
7	DOUBLE ACTING AIR CYLINDER (24" STROKE X 4" DIA. BORE) (EACH)	811A-BH424	
7A	HIGH LIFT AIR CYLINDER SEAL KIT	811A-BH-04	
8A	CYLINDER SAFETY COVER (STANDARD TOP RAIL - WELDED COVER) (EACH)	811A-01	
8B	CYLINDER SAFETY COVER (DIRT SHEDDING TOP RAIL - BOLTED COVER) (EACH)	811A-01-4X4	
9	SAFETY LOCKING PIN (EACH)	811A-02	
10	HIGH LIFT TAILGATE GUIDE (EACH)	811A-01-08	
11A	EXTRA STRONG STRAIGHT MOBILE HINGE (1" THICK) (EACH)	805-03-3X	
11B	EXTRA STRONG SLANTED MOBILE HINGE (1" THICK) (EACH)	805-05-3X	
12	EXTRA STRONG HINGE PIN (1 1/2" DIA X 4 1/2" PIN) (EACH)	805-03-2S	
13	HIGH-LIFT & AUTOMATIC TAILGATE WARNING LABEL	1003-811-01	
14	HINGE SUPPORT BLOCK (AIR KIT) (EACH)	811A-01-05	
15	DOUBLE ACTION ELECTRO-PNEUMATIC VALVE (4 WAY 3 POSITION)	811A-4W3PSV	
	<b>NOTE: if slanted kit required, keep us informed when sending your purchase order (9A or 9B).</b>		

**PARTS AND ACCESSORIES**

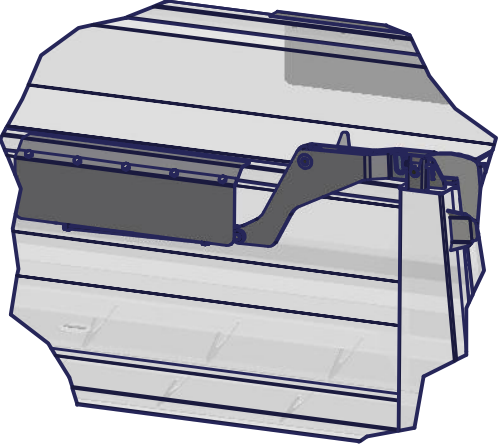
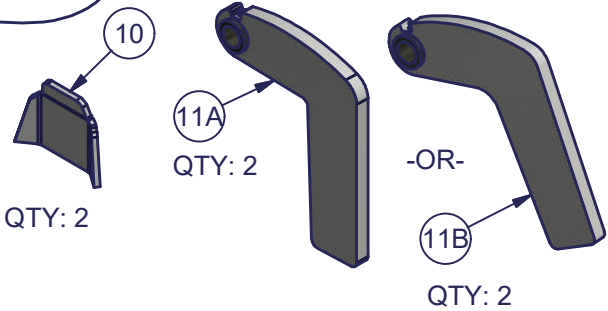
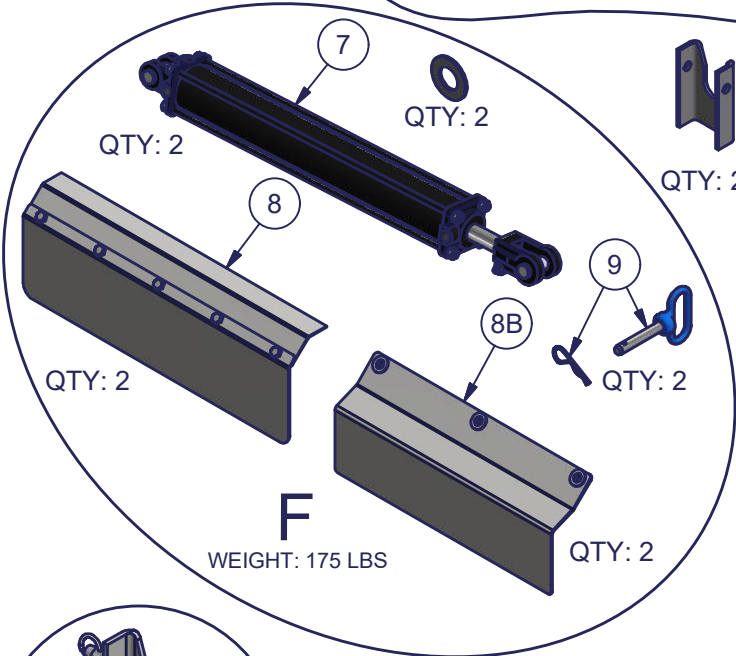
**OCTOBER 2017**



DBL-DBH MODELS



\*ANGLE IRON NOT INCLUDED WITH DIRT SHEDDING TOP RAIL



**B-D**  
**COMPLETE KITS**  
 WEIGHT: 477 LBS



PART: **811B-D** TITLE: **HYDRAULIC HIGH LIFT TAILGATE**

## PART # 811B-D - HYDRAULIC HIGH LIFT TAILGATE KIT

ITEM	DESCRIPTION	# BEAU-ROC	
<b>B</b>	<b>HYDRAULIC HIGH LIFT TAILGATE KIT (STANDARD)</b>	<b>811B-1X</b>	
	<b>HYDRAULIC HIGH LIFT TAILGATE KIT (STANDARD - INSTALLED)</b>	<b>811B-1XI</b>	
1B	HELPER'S SIDE ARM KIT (STANDARD)	811B-01-1D	
2B	DRIVER'S SIDE ARM KIT (STANDARD)	811B-01-1G	
3B	HELPER'S SIDE FIXED END KIT (STANDARD)	811B-01-2D	
4B	DRIVER'S SIDE FIXED END KIT (STANDARD)	811B-01-2G	
<b>D</b>	<b>HYDRAULIC HIGH LIFT TAILGATE KIT (DBL/DBH MODELS)</b>	<b>811D-1X</b>	
	<b>HYDRAULIC HIGH LIFT TAILGATE KIT (DBL/DBH - INSTALLED)</b>	<b>811D-1XI</b>	
1D	HELPER'S SIDE ARM KIT (DBL/DBH MODELS)	811D-01-1D	
2D	DRIVER'S SIDE ARM KIT (DBL/DBH MODELS)	811D-01-1G	
3D	HELPER'S SIDE FIXED END KIT (DBL/DBH MODELS)	811D-01-2D	
4D	DRIVER'S SIDE FIXED END KIT (DBL/DBH MODELS)	811D-01-2G	
<b>F</b>	<b>CYLINDER &amp; SAFETY COVER KIT (STANDARD TOP RAILS)</b>	<b>811B-2X</b>	
	<b>CYLINDER &amp; SAFETY COVER KIT (DIRT SHEDDING TOP RAILS)</b>	<b>811B-2X-4X4</b>	
<b>G</b>	<b>HIGH LIFT TAILGATE LOCKING PIN &amp; BRACKET (EACH)</b>	<b>811A-3X</b>	
	<b>COMMON PARTS</b>		
5	GREASE FITTING 5/16" DRIVE TYPE	GF-3125-DT	
6	EXTRA STRONG PIN (1 1/2" DIA. X 6 1/2" PIN) (EACH)	811A-03-2S	
7	DOUBLE ACTING HYDRAULIC CYLINDER (24" STROKE X 3" DIA. BORE) (EACH)	811B-24X3H	
8A	CYLINDER SAFETY COVER (STANDARD TOP RAIL - WELDED COVER) (EACH)	811A-01	
8B	CYLINDER SAFETY COVER (DIRT SHEDDING TOP RAIL - BOLTED COVER) (EACH)	811A-01-4X4	
9	SAFETY LOCKING PIN (EACH)	811A-02	
10	HIGH LIFT TAILGATE GUIDE (EACH)	811A-01-08	
11A	EXTRA STRONG STRAIGHT MOBILE HINGE (1" THICK) (EACH)	805-03-3X	
11B	EXTRA STRONG SLANTED MOBILE HINGE (1" THICK) (EACH)	805-05-3X	
12	EXTRA STRONG HINGE PIN (1 1/2" DIA X 4 1/2" PIN) (EACH)	805-03-2S	
13	HIGH-LIFT & AUTOMATIC TAILGATE WARNING LABEL	1003-811-01	
14	HINGE SUPPORT BLOCK (AIR KIT) (EACH)	811A-01-05	
	<b>NOTE: if slanted kit required, keep us informed when sending your purchase order (8A or 8B).</b>		

**PARTS AND ACCESSORIES**

**OCTOBER 2017**

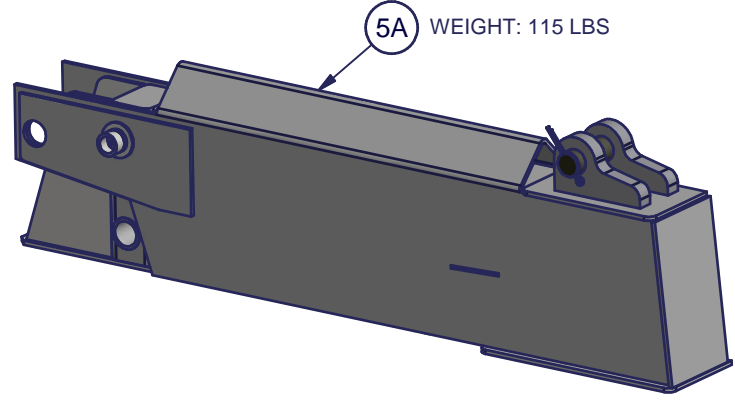
**WARNING**

NEVER STAND  
UNDERNEATH TAILGATE  
IT MAY FALL WITHOUT  
NOTICE

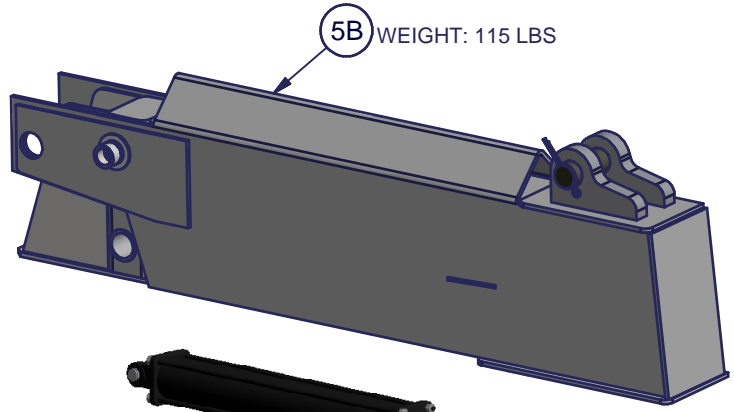
NE JAMAIS ALLER SOUS UNE PORTE  
SOULEVÉE, ELLE POURRAIT TOMBER  
SOUDAINEMENT



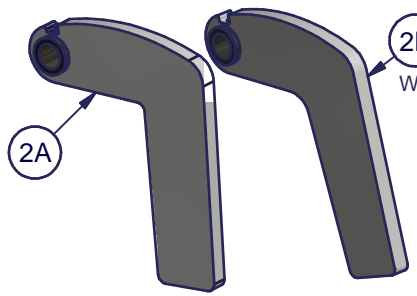
4



5A WEIGHT: 115 LBS



5B WEIGHT: 115 LBS



2A

2B

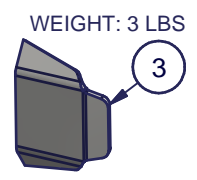
WEIGHT: 26 LBS

WEIGHT: 26 LBS



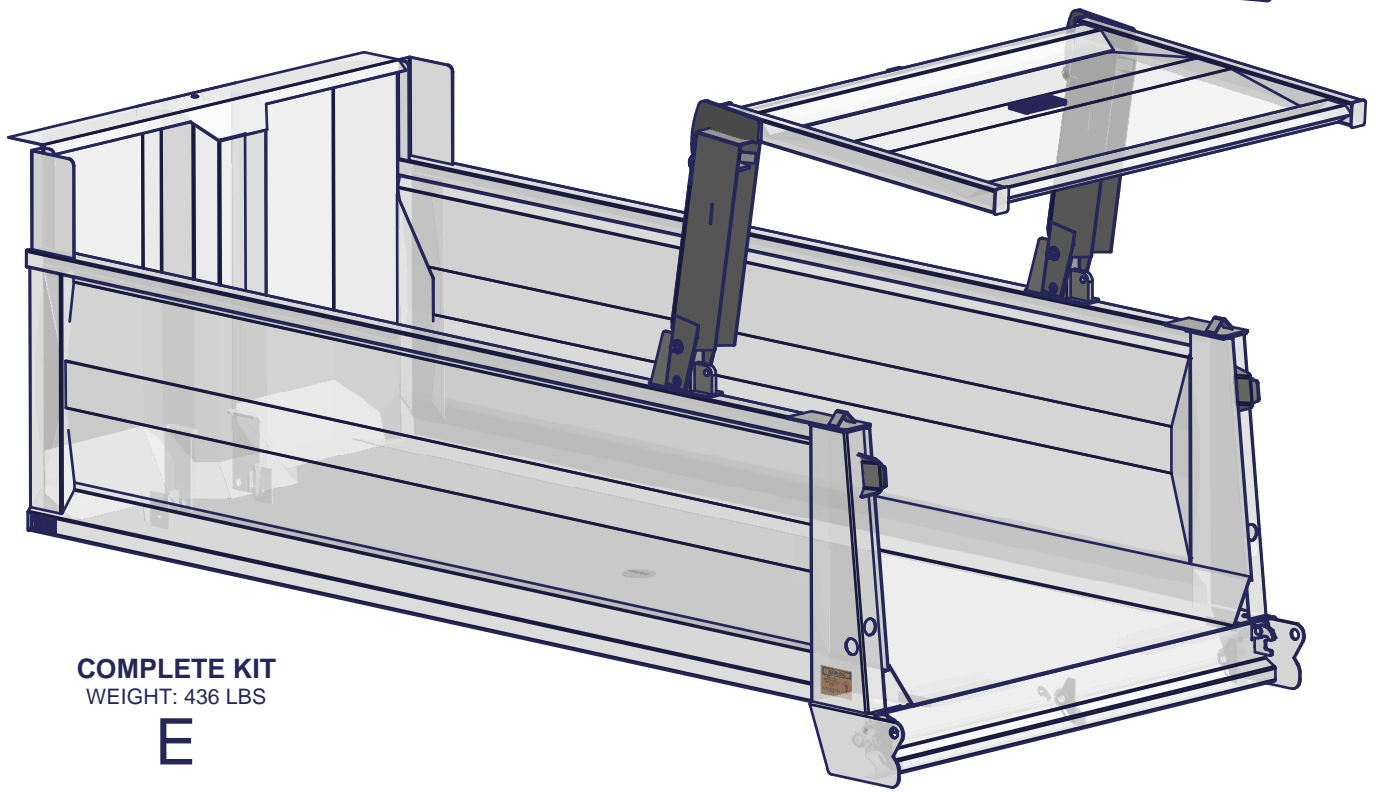
WEIGHT: 30 LBS

1



WEIGHT: 3 LBS

3



**COMPLETE KIT**  
WEIGHT: 436 LBS

**E**

**BEAU-ROC**  
INC.

OCTOBER 2017

PART:

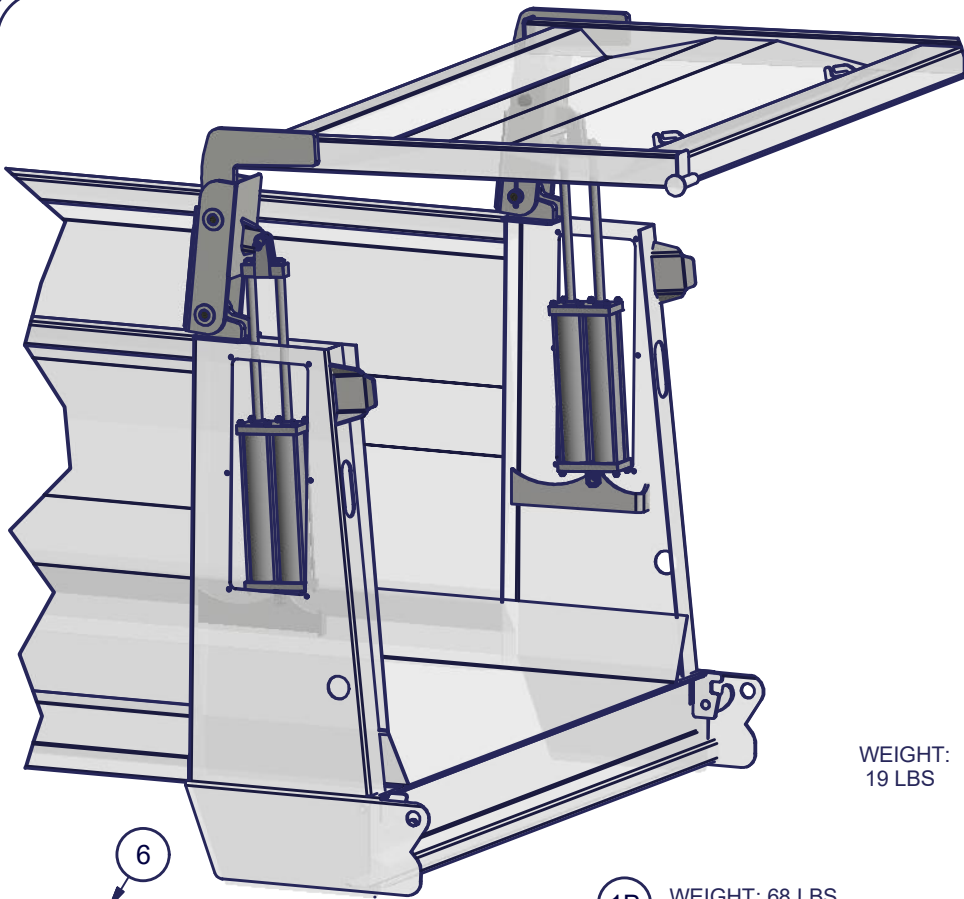
**811E**

TITLE:

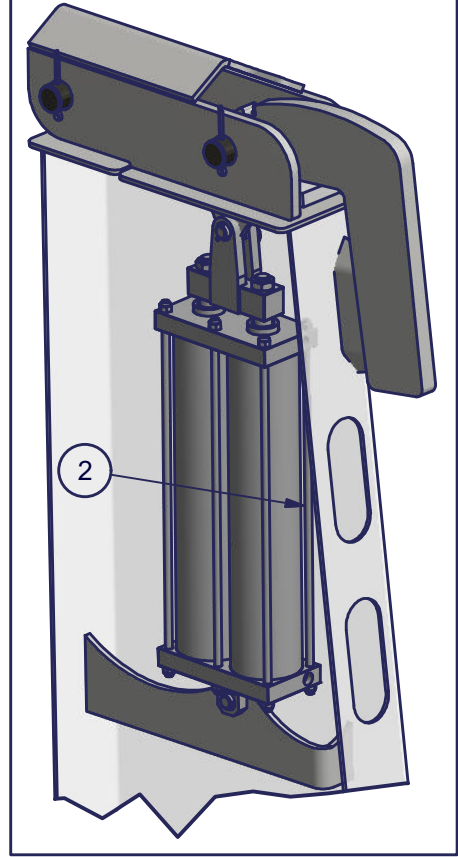
**COMPACT HYDRAULIC  
HIGH LIFT KIT**

# PART # 811E - COMPACT HYDRAULIC HIGH LIFT TAILGATE KIT

ITEM	DESCRIPTION	# BEAU-ROC	
E	<b>COMPACT HYDRAULIC HIGH LIFT TAILGATE KIT</b>	811E-1X	
	<b>COMPACT HYDRAULIC HIGH LIFT TAILGATE KIT (INSTALLED)</b>	811E-1XI	
1	DOUBLE ACTING HYDRAULIC CYLINDER (8" STROKE X 3" DIA. BORE) (EACH)	811E-MT38H	
2A	EXTRA STRONG <b>STRAIGHT</b> MOBILE HINGE (1" THICK) (EACH)	805-03-3X	
2B	EXTRA STRONG <b>SLANTED</b> MOBILE HINGE (1" THICK) (EACH)	805-05-3X	
3	HIGH-LIFT TAILGATE GUIDE (EACH)	811A-01-08	
4	HIGH-LIFT & AUTOMATIC TAILGATE WARNING LABEL	1003-811-01	
5A	HELPER'S SIDE COMPACT ARM KIT	811E-01-1D	
5B	DRIVERS SIDE COMPACT ARM KIT	811E-01-1G	
<b>NOTE: if slanted kit required, keep us informed when sending your purchase order (8A or 8B).</b>			



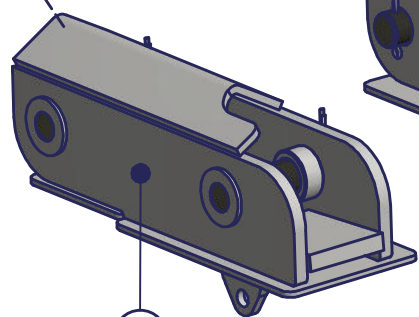
**A COMPLETE KIT**  
(HELPER SIDE SHOWN)  
WEIGHT: 232 LBS



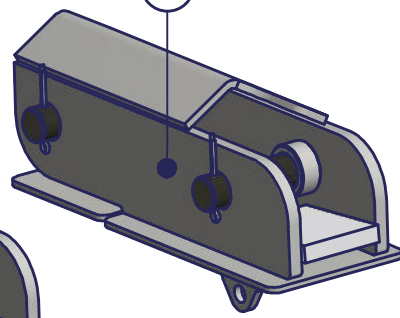
WEIGHT:  
19 LBS

6  
QTY: 6

1B WEIGHT: 68 LBS



1A WEIGHT: 68 LBS



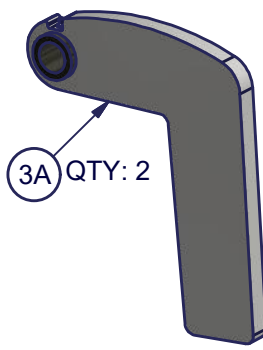
8

**WARNING**

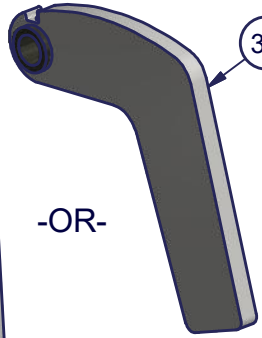
NEVER STAND  
UNDERNEATH TAILGATE  
IT MAY FALL WITHOUT  
NOTICE

NE JAMAIS ALLER SOUS UNE PORTE  
SOULEVEE, ELLE POURRAIT TOMBER  
SOUDAINEMENT

QTY: 2



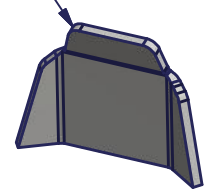
3A QTY: 2



3B

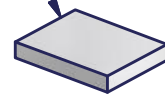
-OR-  
WEIGHT: 26 LBS

5 QTY: 2

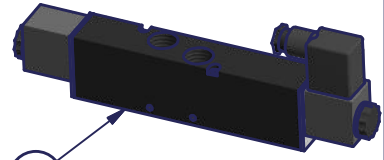


WEIGHT: 3 LBS

4 QTY: 2



WEIGHT: 4 LBS



7 VALVE SOLD SEPERATELY

**BEAU-ROC**  
INC.  
OCTOBER 2017

PART:  
**811F**

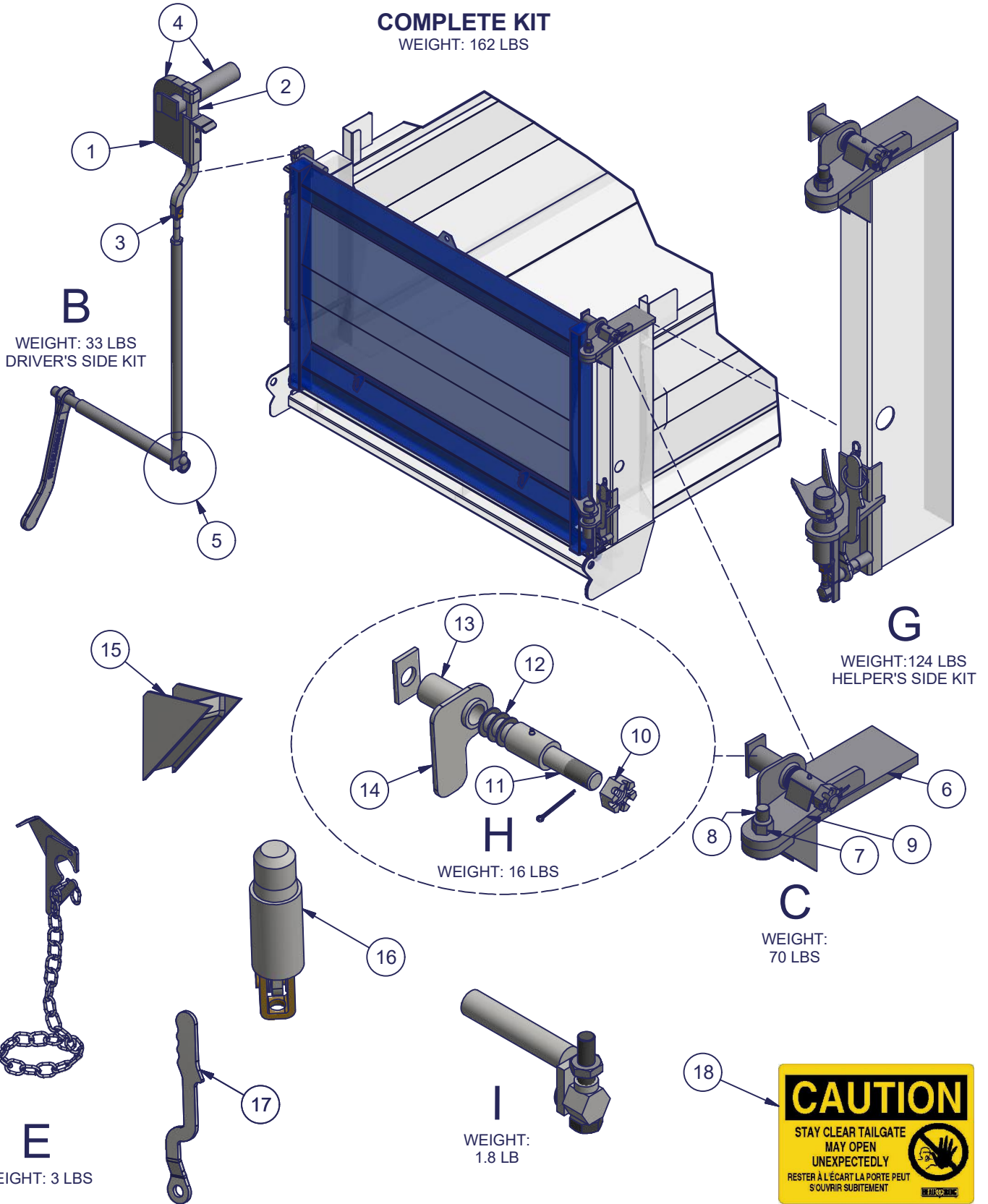
TITLE:  
**INTERNAL AIR HIGH LIFT**

## PART # 811F - INTERNAL AIR HIGH LIFT TAILGATE KIT

ITEM	DESCRIPTION	# BEAU-ROC	
<b>F</b>	<b>INTERNAL AIR HIGH LIFT TAILGATE KIT (INSTALLED)</b>	<b>811F-1XI</b>	
1A	HELPER'S SIDE COMPACT ARM KIT	811F-01-1D	
1B	DRIVERS SIDE COMPACT ARM KIT	811F-01-1G	
2	DOUBLE ACTING AIR CYLINDER (17" STROKE X 3 1/2" DIA. DOUBLE BORE)(EACH)	811F-BH3.517D	
3A	EXTRA STRONG <b>STRAIGHT</b> MOBILE HINGE (1" THICK) (EACH)	805-03-3X	
3B	EXTRA STRONG <b>SLANTED</b> MOBILE HINGE (1" THICK) (EACH)	805-05-3X	
4	HINGE SUPPORT BLOCK (AIR KIT) (EACH)	811A-01-05	
5	HIGH-LIFT TAILGATE GUIDE (EACH)	811A-01-08	
6	GREASE FITTING 5/16" DRIVE TYPE	GF-3125-DT	
7	DOUBLE ACTION ELECTRO-PNEUMATIC VALVE (4 WAY 3 POSITION)	811A-4W3PSV	
8	HIGH-LIFT & AUTOMATIC TAILGATE WARNING LABEL	1003-811-01	
<b style="color: red;">NOTE: if slanted kit required, keep us informed when sending your purchase order (8A or 8B).</b>			

**PARTS AND ACCESSORIES** **OCTOBER 2017**

**A**  
**COMPLETE KIT**  
 WEIGHT: 162 LBS



## PART # 812 - MANUAL SIDE OPENING TAILGATE KIT (BARN DOOR)

ITEM	DESCRIPTION	# BEAU-ROC	
<b>A</b>	<b>MANUAL SIDE OPENING TAILGATE KIT</b>	<b>812-1X</b>	
	<b>MANUAL SIDE OPENING TAILGATE (INSTALLED)</b>	<b>812-1XI</b>	
<b>B</b>	<b>MANUAL TAILGATE OPENING SYSTEM (DRIVER'S SIDE)</b>	<b>812-2X</b>	
1	DRIVER'S SIDE PIVOT BRACE	812-02-01	
2	DRIVER'S LOCK BAR (3/4" X 7/8")	812-02-05	
3	1/2" YOKE KIT WITH THREADED ROD	812-07-01C	
4	LOCK HANDLE ARM ASSEMBLY (2" O.D. X 9" LONG)	812-02-02X	
5	HANDLE SWIVEL	812-02-03X	
<b>C</b>	<b>OPENING KIT (UPPER HELPER'S SIDE KIT)</b>	<b>812-3X</b>	
6	FIXED HINGE	812-03-25	
7	NYLON INSERT LOCK NUT 1 1/4-12 UNF	HN12125	
8	HEX BOLT 1 1/4-12 UNF X 4 1/2 GRADE 8	HB12125-450-8	
9	MOBILE HINGE	812-03-30	
<b>E</b>	<b>TAILGATE SAFETY CHAIN LOCK KIT</b>	<b>812-5X</b>	
<b>G</b>	<b>MANUAL TAILGATE OPENING (HELPER'S SIDE)</b>	<b>812-7X</b>	
<b>H</b>	<b>UPPER HELPER'S SIDE PIN KIT</b>	<b>812-8X</b>	
10	CASTLE LOCK NUT 1 1/2-12 UNF	1500-CN	
11	1 1/2" X 11 1/4" ROD THREADED ONE END 1 1/2-12 UNF	812-03-24	
12	2 1/4" OD X 1 1/2" ID WASHER (QTY=3)	812-03-26	
13	BUSHING (2 1/4" OD X 1 5/8" ID X 4 7/8")	812-03-27	
14	UPPER PIN "L" BRACKET	812-03-31	
<b>I</b>	<b>ECCENTRIC MECHANISM (SIDE OPENING TAILGATE)</b>	<b>812-9X</b>	
	<b>MISCELLANEOUS</b>		
15	HINGE PLATE SUPPORT ASSEMBLY	812-03-32	
16	LOCK PIN	812-04-35X	
17	OPENING HANDLE LEVER	812-04-47	
18	TAILGATE WARNING LABEL	1003-800-01	

**PARTS AND ACCESSORIES**

**OCTOBER 2017**



## SECTION 6 - LATCHING MECHANISMS & PARTS

PART #	DESCRIPTION	PAGE
<b>BOLSTER KITS</b>		
706	STANDARD TAILGATE LATCH BOLSTER KIT	601-602
708	DOUBLE ACTING LATCH BOLSTER KIT	603-604
710A	ASPHALT TAIL BOLSTER KIT	605-606
<b>LATCHES</b>		
700-701 702-708	STD & DOUBLE ACTING DISCONTINUED LATCH MODELS	607-608
701-705 710	ASPHALT TAIL DISCONTINUED LATCH MODELS	609-610

PARTS AND ACCESSORIES

OCTOBER 2017

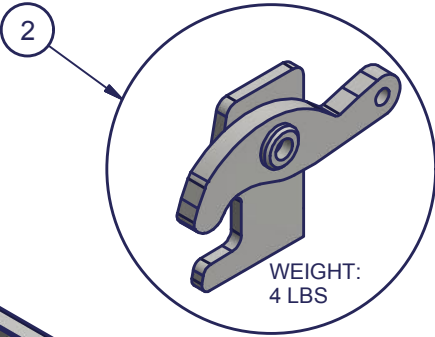
STYLE:



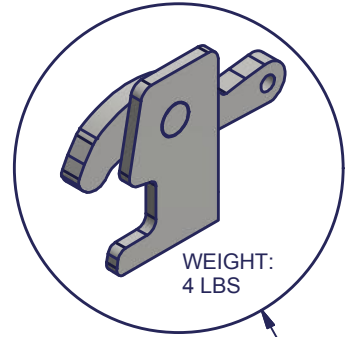
A) STD



B) MUNICIPAL

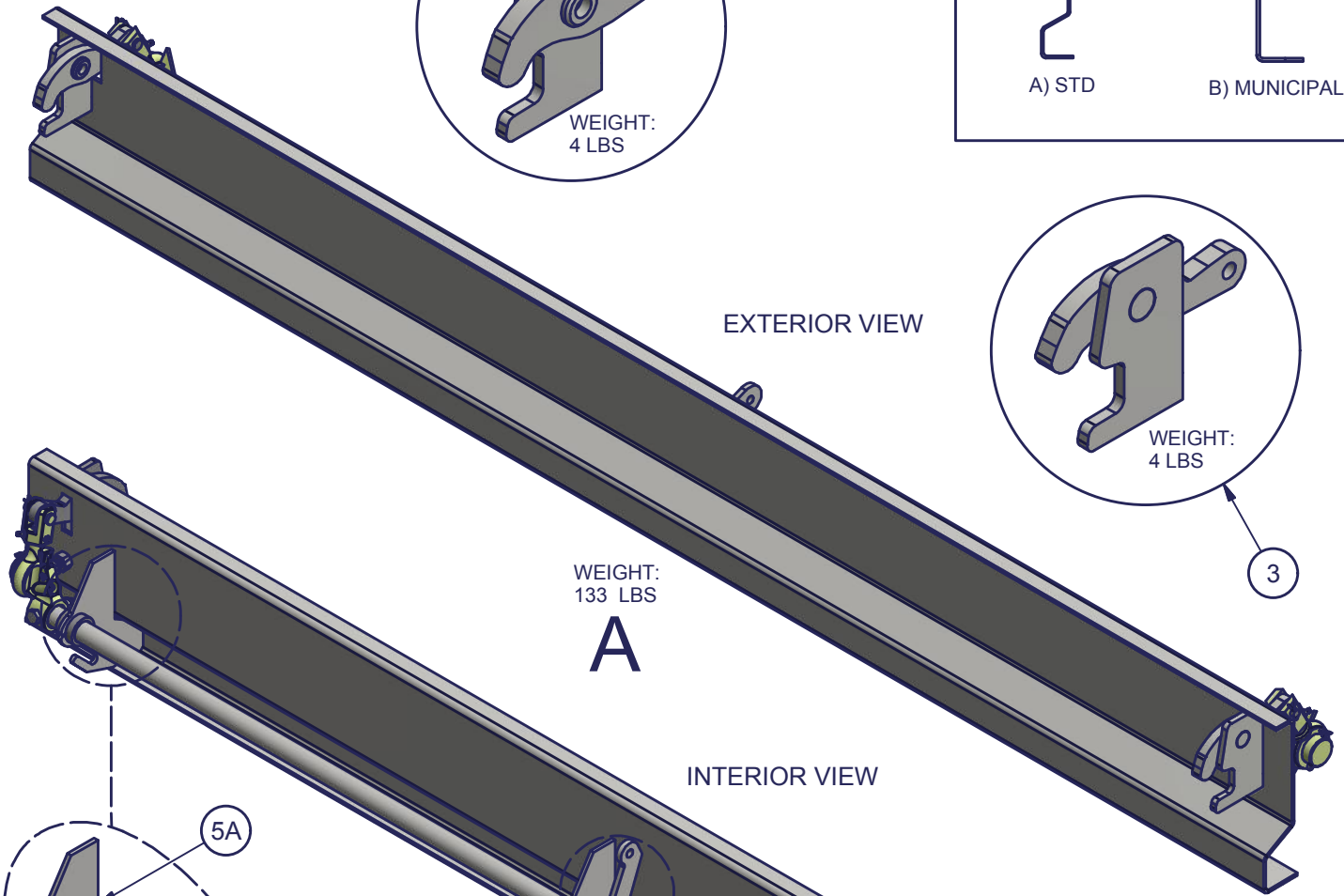


WEIGHT:  
4 LBS



WEIGHT:  
4 LBS

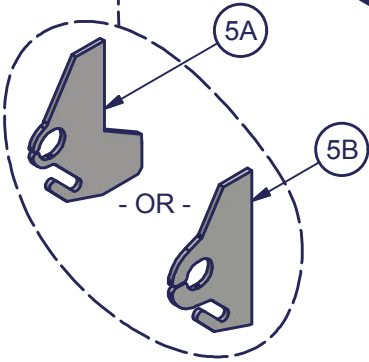
EXTERIOR VIEW



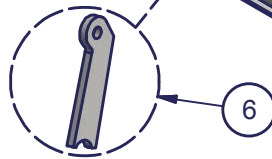
WEIGHT:  
133 LBS

A

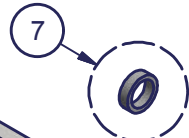
INTERIOR VIEW



- OR -



4  
96"  
BODY

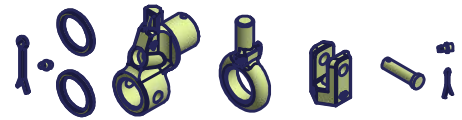
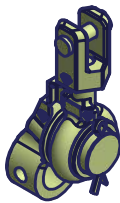


WEIGHT:  
4 LBS

**NOT INCLUDED IN  
BOLSTER KIT**



1  
WEIGHT:  
4 1/2 LBS



ZINC CHROMATED  
PARTS



SEPTEMBER 2017

PART:

706

TITLE:

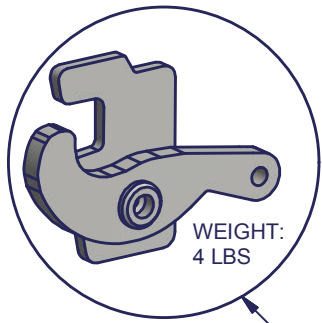
STANDARD TAILGATE LATCH  
BOLSTER KIT

## PART # 706 - STANDARD TAILGATE LATCH BOLSTER KIT

ITEM	DESCRIPTION	# BEAU-ROC	
<b>A</b>	<b>96 3/4" BOLSTER KIT STD</b> <i>(96" WIDE DUMP BODY)</i>	<b>706-097X</b>	
	<b>100 3/4" BOLSTER KIT STD</b> <i>(102" WIDE DUMP BODY)</i>	<b>706-101X</b>	
<b>B</b>	<b>96 3/4" BOLSTER KIT</b> <i>(96" WIDE DUMP BODY) (MUNICIPAL STYLE)</i>	<b>706-097X-M</b>	
	<b>100 3/4" BOLSTER KIT</b> <i>(102" WIDE DUMP BODY) (MUNICIPAL STYLE)</i>	<b>706-101X-M</b>	
	<b>COMMON PARTS A-B</b>		
4	CROSS SHAFT <i>(L=89 1/4") (96" BODY WIDTH)</i>	706-09	
	<b>COMMON PARTS</b>		
1	ECCENTRIC LEVER & U HEXAGON ASSEMBLY <i>(EACH)</i>	706-02X	
2	STANDARD LEFT LOCK KIT <i>(DRIVER)</i>	706-3X-G	
3	STANDARD RIGHT LOCK KIT <i>(HELPER)</i>	706-3X-D	
5A	CROSS SHAFT BRACKET <i>(EACH)</i>	706-08	
5B	CROSS SHAFT BRACKET <i>(EACH) (MUNICIPAL STYLE)</i>	706-08-M	
6	AIR CYLINDER LEVER	706-10	
7	CROSS SHAFT SPACER <i>(EACH)</i>	706-07	
8	AIR CYLINDER BRACKET	706-13X	

**CAUTION**  
 TAILGATE MUST BE CLOSED & LOCKED BEFORE TOP LATCHES ARE RELEASED  
 COMPUERTA TRASERA TIENE QUE ESTAR CERRADA CON CERRADURA DE ABALADO ANTES DE REMOVER CERRRES Y GANCHOS DE ARRIBA

9



WEIGHT:  
4 LBS

2

STYLE:

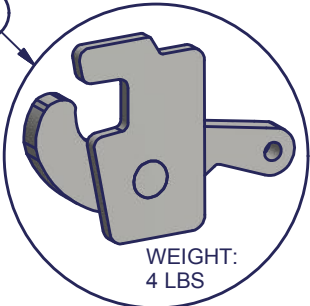


A) STD



B) MUNICIPAL

3



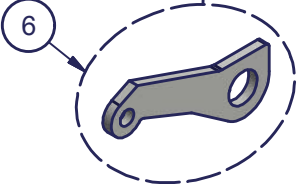
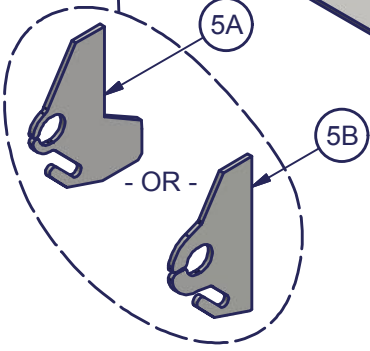
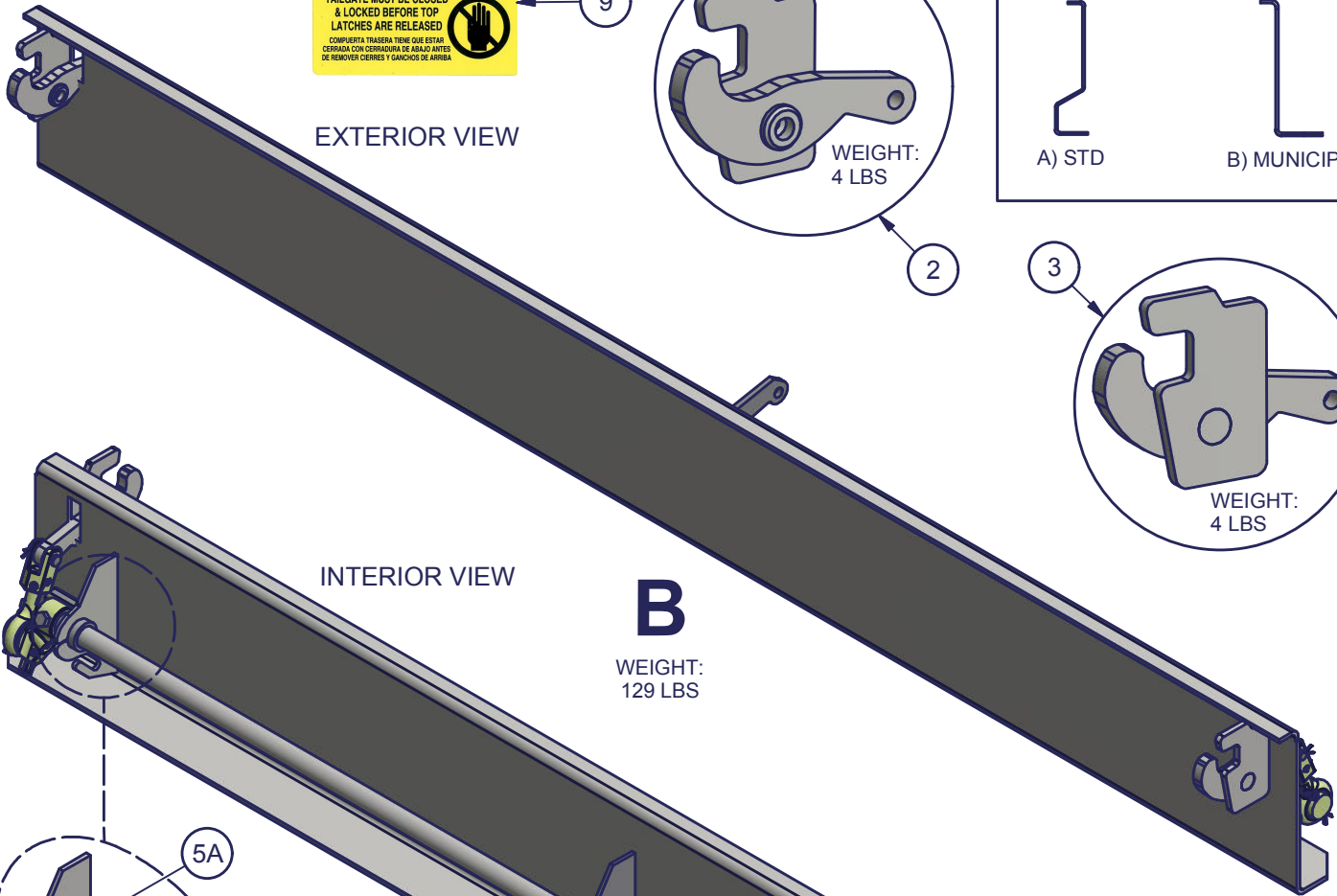
WEIGHT:  
4 LBS

EXTERIOR VIEW

INTERIOR VIEW

**B**

WEIGHT:  
129 LBS



6

96" BODY 4

7

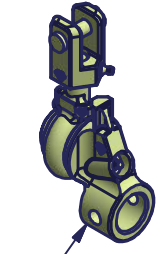


8

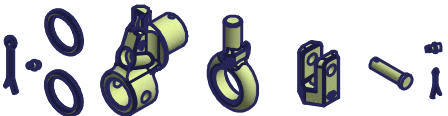
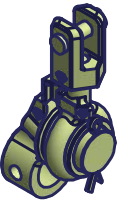


WEIGHT:  
4 LBS

**NOT INCLUDED  
IN BOLSTER KIT**



1 WEIGHT:  
4 1/2 LBS



ZINC CHROMATED  
PARTS

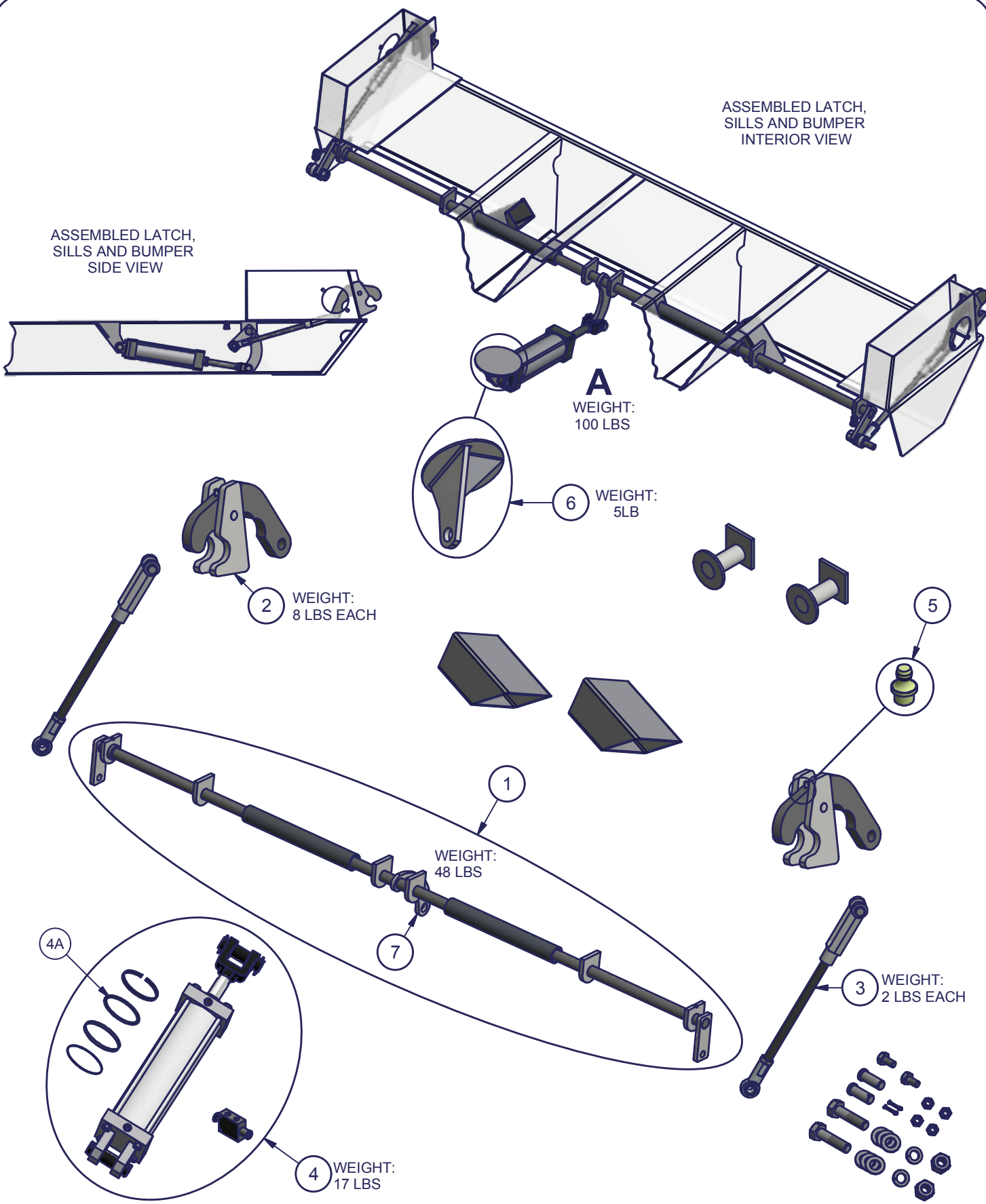
**BEAU-ROC**  
INC.  
SEPTEMBER 2017

PART:  
**708**

TITLE:  
**DOUBLE ACTING LATCH  
BOLSTER KIT**

## PART # 708 - DOUBLE ACTING LATCH BOLSTER KIT

ITEM	DESCRIPTION	# BEAU-ROC	
<b>A</b>	<b>96 3/4" BOLSTER KIT FOR DOUBLE ACTING</b> <i>(96" WIDE DUMP BODY)</i>	<b>708-097X</b>	
	<b>100 3/4" DOUBLE ACTING BOLSTER KIT</b> <i>(102" WIDE DUMP BODY)</i>	<b>708-101X</b>	
<b>B</b>	<b>96 3/4" BOLSTER KIT FOR DOUBLE ACTING</b> <i>(96" WIDE DUMP BODY) (MUNICIPAL STYLE)</i>	<b>708-097X-M</b>	
	<b>100 3/4" DOUBLE ACTING BOLSTER KIT</b> <i>(102" WIDE DUMP BODY) (MUNICIPAL STYLE)</i>	<b>708-101X-M</b>	
	<b>COMMON PARTS A-B</b>		
4	CROSS SHAFT <i>(L= 89 1/4") (96" BODY WIDTH)</i>	706-09	
	<b>COMMON PARTS</b>		
1	ECCENTRIC LEVER & U HEXAGON ASSEMBLY <i>(EACH)</i>	708-02X	
2	DOUBLE ACTING LEFT LOCK KIT <i>(DRIVER)</i>	708A-3X-G	
3	DOUBLE ACTING RIGHT LOCK KIT <i>(HELPER)</i>	708A-3X-D	
5A	CROSS SHAFT BRACKET <i>(EACH)</i>	706-08	
5B	CROSS SHAFT BRACKET <i>(EACH) (MUNICIPAL STYLE)</i>	706-08-M	
6	DOUBLE ACTING AIR CYLINDER LEVER	708-10	
7	CROSS SHAFT SPACER <i>(EACH)</i>	706-07	
8	AIR CYLINDER BRACKET	706-13X	
9	DOUBLE ACTING TAILGATE WARNING LABEL	1003-708-01	

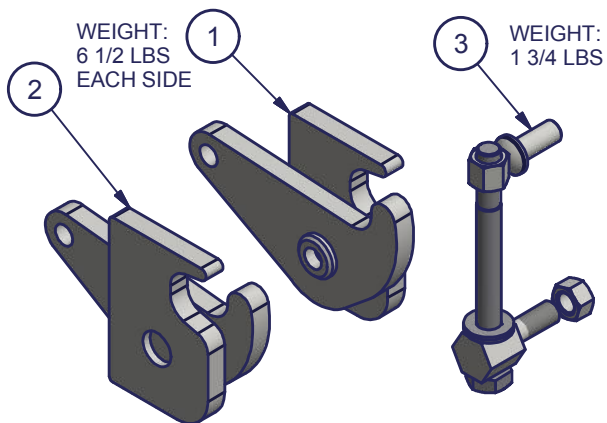


## PART # 710A - ASPHALT TAIL BOLSTER KIT

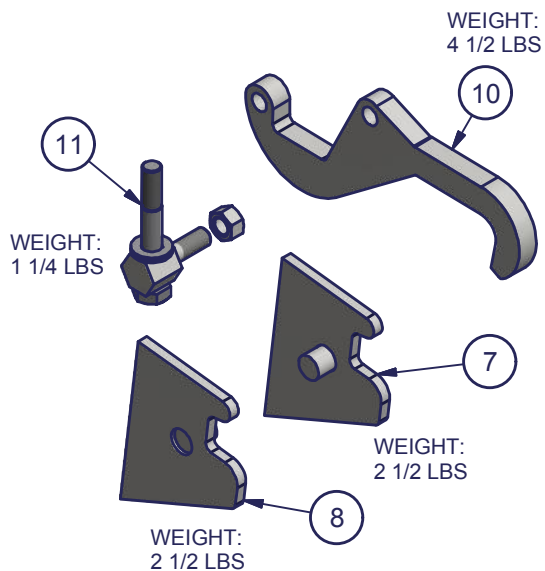
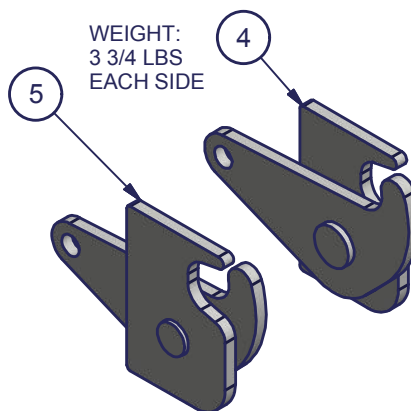
ITEM	DESCRIPTION	# BEAU-ROC	
<b>A</b>	<b>ASPHALT TAILGATE LATCHING MECHANISM KIT</b>	<b>710A-01X</b>	
1	91" CROSS SHAFT ASSEMBLY	710A-09	
2	ASPHALT LOCK KIT <i>(EACH)</i>	710A-3X	
3	ECCENTRIC LEVER & U HEXAGON KIT <i>(EACH)</i>	710A-02X	
4	ASPHALT TAILGATE CYLINDER WITH VALVE <i>(3 1/4" BORE X 10" STROKE)</i>	710A-BH3.2510	
4A	ASPHALT TAILGATE CYLINDER SEAL KIT	710A-BH-03	
5	GREASE FITTING 5/16" DRIVE TYPE	GF-3125-DT	
6	ASPHALT AIR CYLINDER BRACKET	710A-13X	
7	ASPHALT AIR CYLINDER LEVER	710A-10	
8	HARDWARE KIT 710A	HW-710A-1	
	<i><b>KIT INCLUDES:</b></i>		
	<i>2X HEX BOLT 3/4-10 UNC X 3 GRADE 5</i>		
	<i>2X HEX NUT 3/4-10 UNC</i>		
	<i>6X HARDENED FLAT WASHER 3/4 SAE</i>		
	<i>2X LOCK WASHER 3/4 GRADE 5</i>		
	<i>2X CLEVIS PIN 3/4 DIA. X 2</i>		
	<i>2X EXTENDED PRONG COTTER PIN 5/32 DIA. X 1 1/2</i>		
	<i>2X HEX BOLT 1/2-13 UNC X 1 GRADE 5</i>		
	<i>4X HEX NUT 1/2-13 UNC</i>		

**PARTS AND ACCESSORIES**

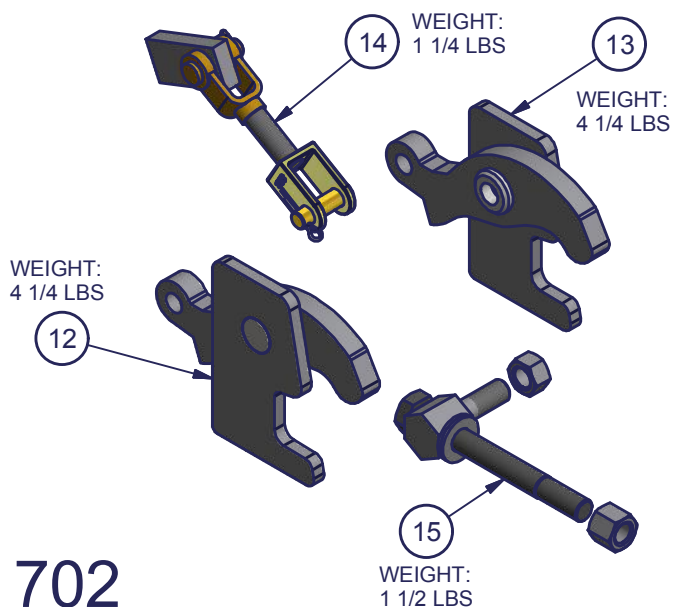
**OCTOBER 2017**



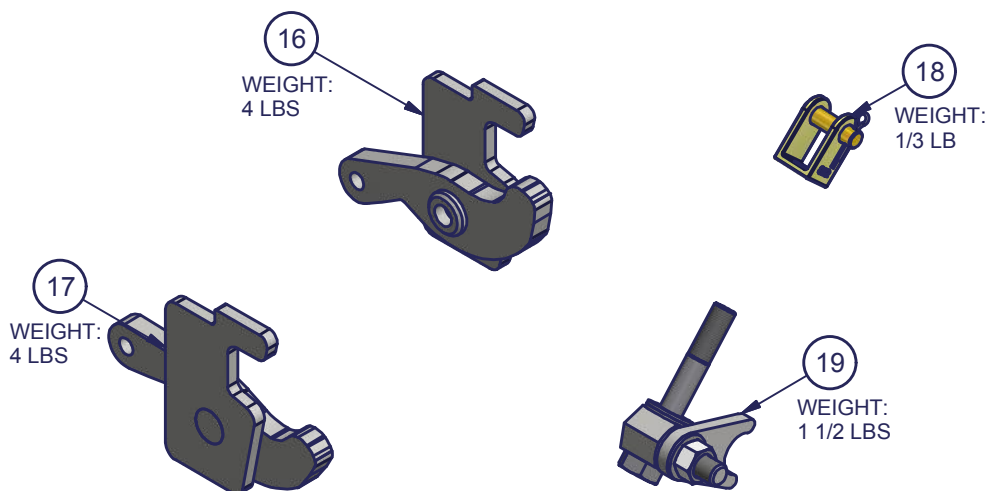
700



701



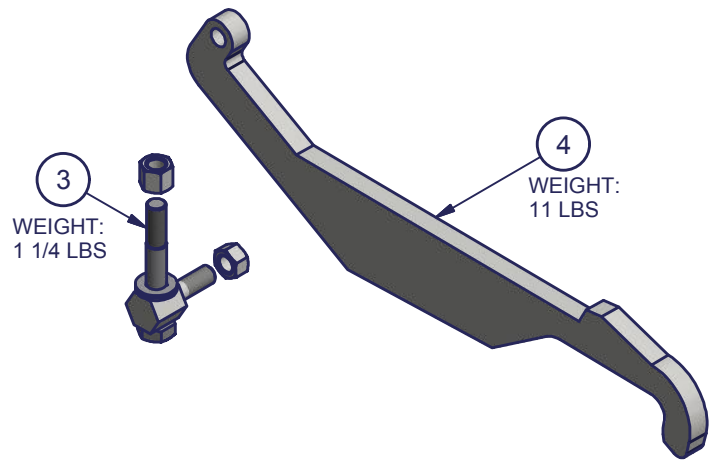
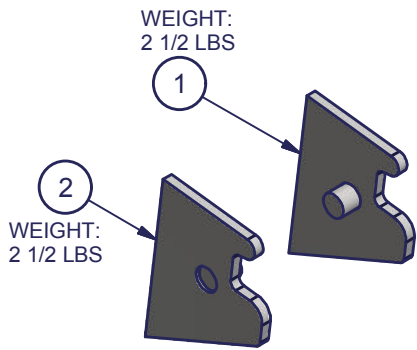
702



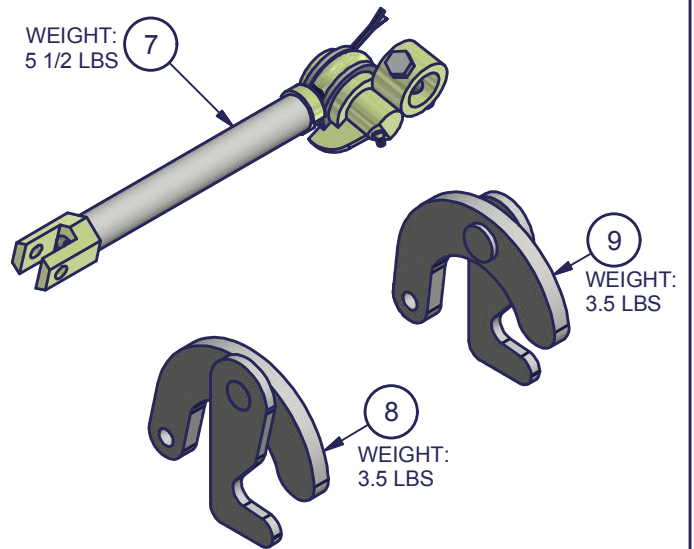
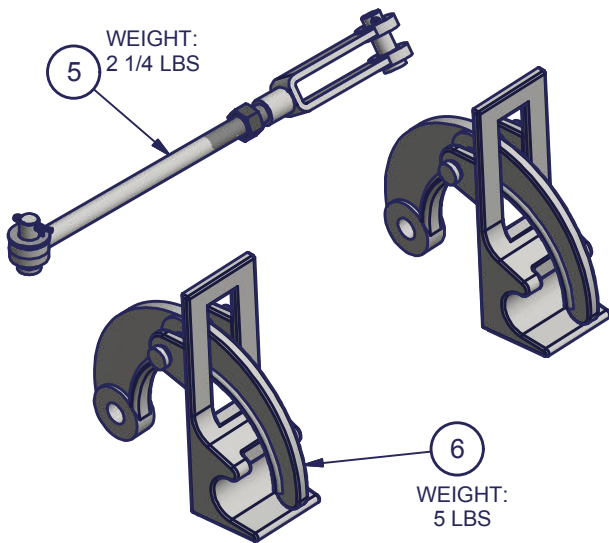
708

**PART # 700-701-702-708 - STD & DOUBLE ACTING DISCONTINUED LATCH MODELS**

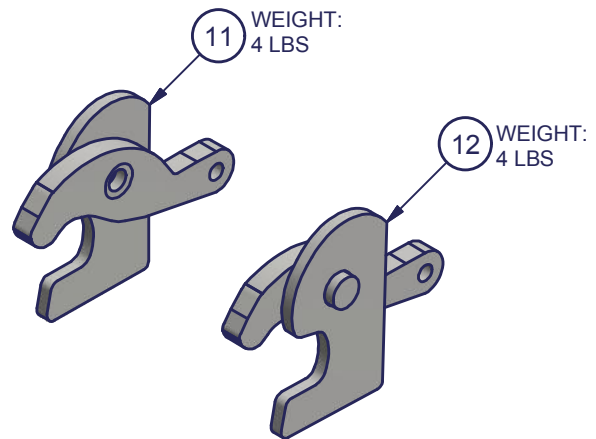
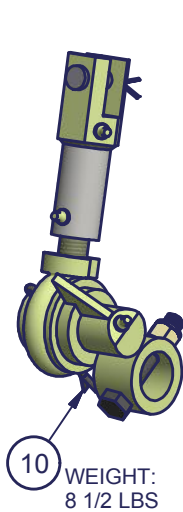
ITEM	DESCRIPTION	# BEAU-ROC	
<b>700</b>	<b>1984 TO FEBRUARY 1997</b>		
1	5/8" RIGHT LOCK KIT <i>(STANDARD MODEL - HELPER)</i>	700-3X-D	
2	5/8" LEFT LOCK KIT <i>(STANDARD MODEL - DRIVER)</i>	700-3X-G	
3	7 " ECCENTRIC LEVER KIT <i>(STANDARD MODEL)</i>	700-6X	
4	3/8" RIGHT LOCK KIT <i>(LES MODEL - HELPER)</i>	700-4X-D	
5	3/8" LEFT LOCK KIT <i>(LES MODEL - DRIVER)</i>	700-4X-G	
<b>701</b>	<b>1984 TO FEBRUARY 1997</b>		
7	3/8" RIGHT LOCK KIT <i>(HELPER)</i>	701-3X-D	
8	3/8" LEFT LOCK KIT <i>(DRIVER)</i>	701-3X-G	
10	MOBILE LOCKER - TYPE B	701-03-02	
11	4 1/2" ECCENTRIC LEVER KIT - TYPE B	701-6X	
<b>702</b>	<b>MARCH 1999 TO JUNE 2001</b>		
12	LEFT LOCK KIT TYPE C-D <i>(DRIVER)</i>	702-3X-G	
13	RIGHT LOCK KIT TYPE C-D <i>(HELPER)</i>	702-3X-D	
14	ECCENTRIC LEVER & U HEXAGON KIT	702-6X	
15	6" ECCENTRIC LEVER KIT	702-6X1	
<b>708</b>	<b>MARCH 1999 TO DECEMBER 2006</b>		
16	DOUBLE ACTING RIGHT LOCK KIT <i>(HELPER)</i>	708-3X-D	
17	DOUBLE ACTING LEFT LOCK KIT <i>(DRIVER)</i>	708-3X-G	
18	1/2" YOKE KIT	812-07-01C	
19	ECCENTRIC LEVER KIT	708-06X	



701



705



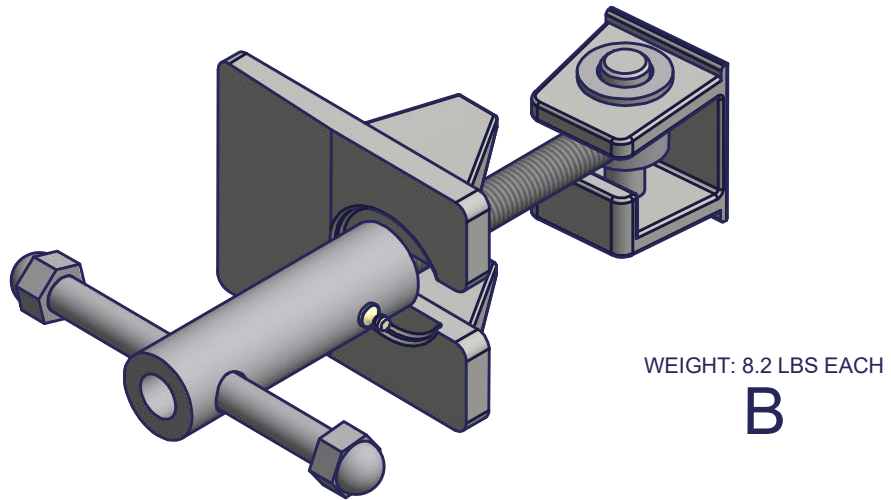
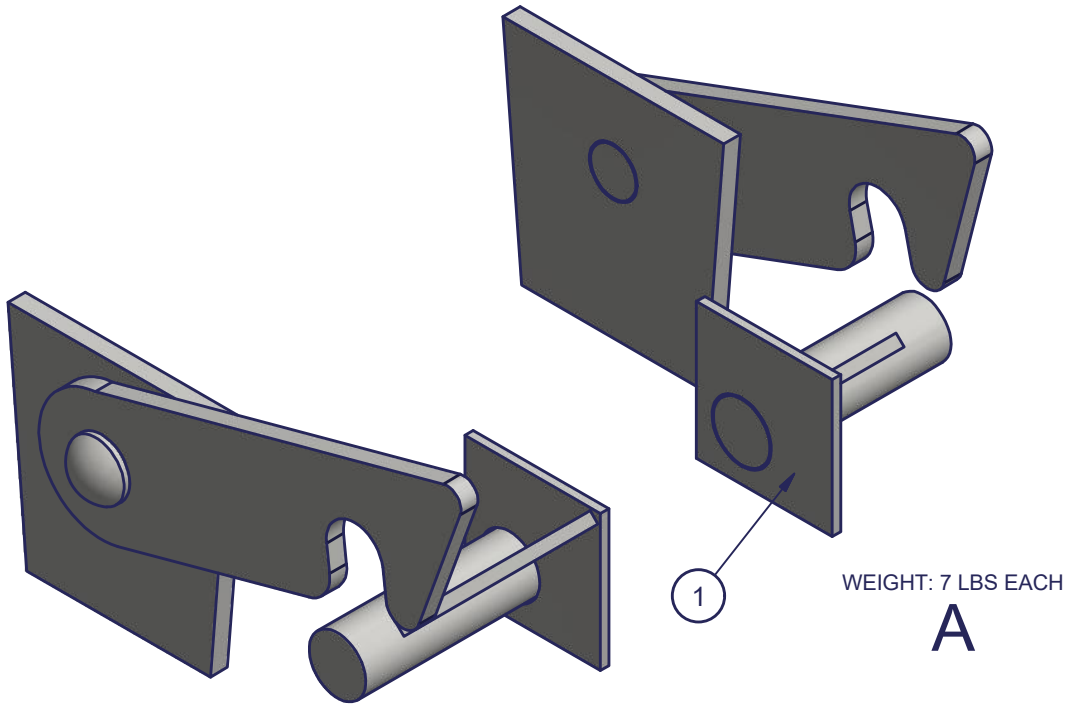
710



## PART # 701-705-710 - ASPHALT TAIL DISCONTINUED LATCH MODELS

ITEM	DESCRIPTION	# BEAU-ROC	
<b>701</b>	<b>MARCH 1997 TO FEBRUARY 1999</b>		
1	3/8" RIGHT LOCK KIT (HELPER)	701-3X-D	
2	3/8" LEFT LOCK KIT (DRIVER)	701-3X-G	
3	4 1/2" ECCENTRIC LEVER KIT - TYPE B	701-6X	
4	3/4" ASPHALT TAIL MOBILE LOCKER	701-03-04	
<b>705</b>	<b>JULY 2001 TO END 2001</b>		
5	ECCENTRIC LEVER KIT FOR ASPHALT TAIL	705-6X	
6	ASPHALT TAIL LATCH (EACH)	705-1X	
7	ASPHALT TAIL ECCENTRIC	706-06X1	
8	ASPHALT TAIL LATCH LEFT (DRIVER)	705-2X-G	
9	ASPHALT TAIL LATCH RIGHT (HELPER)	705-2X-D	
<b>710</b>	<b>JANUARY 2002 TO AUGUST 2006</b>		
10	ECCENTRIC LEVER & U HEXAGON KIT	710-02X	
11	ASPHALT LEFT LOCK KIT (DRIVER)	710-3X-G	
12	ASPHALT RIGHT LOCK KIT (HELPER)	710-3X-D	

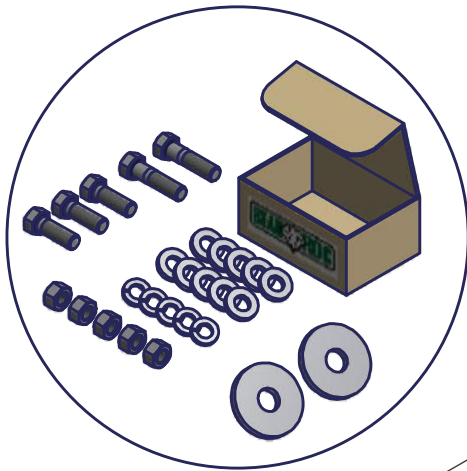






### PART # 272-273 - TAILGATE SAFETY LOCK KITS

ITEM	DESCRIPTION	# BEAU-ROC	
A	TAILGATE SAFETY LOCK KIT - LATCH TYPE <i>(1-LEFT &amp; 1-RIGHT)</i>	272-01X	
	TAILGATE SAFETY LOCK KIT - LATCH TYPE <i>(1-LEFT &amp; 1-RIGHT)</i> <i>(INSTALLED)</i>	272-01XI	
1	DOOR LOCK PIN	272-04	
B	TAILGATE SAFETY LOCK - LOCK VISE TYPE <i>(EACH)</i>	273-01X	
	TAILGATE SAFETY LOCK - LOCK VISE TYPE <i>(EACH)</i> <i>(INSTALLED)</i>	273-01XI	



1

WEIGHT: 1 1/2 LB

96 1/2"

AVAILABLE LENGTHS:

8 in. 100 LBS

10 in. 120 LBS

12 in. 140 LBS

STANDARD  
BOLSTER

A

96 1/2"

AVAILABLE LENGTHS:

8 in. 102 LBS

10 in. 122 LBS

12 in. 142 LBS

MUNICIPAL STYLE  
BOLSTER

B



DECEMBER 2017

PART:

280

TITLE:

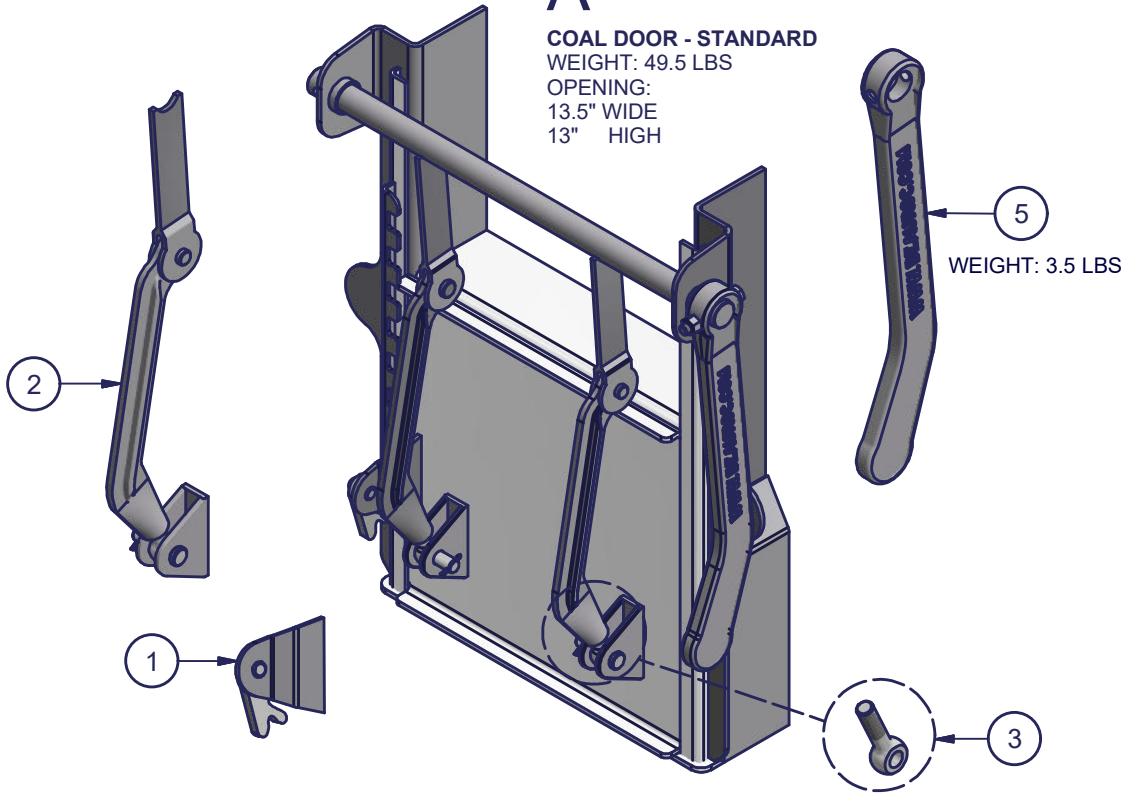
ASPHALT APRON

## PART # 280 - ASPHALT APRON

ITEM	DESCRIPTION	# BEAU-ROC	
<b>A</b>	<b>ASPHALT APRON (STANDARD BOLSTER)</b>		
	8" (INSTALLED)	280-08XI	
	8" (NOT INSTALLED)	280-08X	
	10" (INSTALLED)	280-10XI	
	10" (NOT INSTALLED)	280-10X	
	12" (INSTALLED)	280-12XI	
	12" (NOT INSTALLED)	280-12X	
<b>B</b>	<b>ASPHALT APRON (MUNICIPAL STYLE BOLSTER)</b>		
	8" (INSTALLED)	280-08XI-M	
	8" (NOT INSTALLED)	280-08X-M	
	10" (INSTALLED)	280-10XI-M	
	10" (NOT INSTALLED)	280-10X-M	
	12" (INSTALLED)	280-12XI-M	
	12" (NOT INSTALLED)	280-12X-M	
	<b>COMMON PARTS</b>		
1	HARDWARE KIT 280	HW-280-1	
	<b>KIT INCLUDES:</b>		
	2X SIDE CUSTOM WASHER 3/4" ID X 2 3/8" OD X 1/4"		
	2X HEX BOLT 5/8-11 UNC X 1 3/4 GRADE 5		
	3X HEX BOLT 5/8-11 UNC X 1 1/2 GRADE 5		
	5X LOCK WASHER 5/8		
	10X UNHARDENED FLAT WASHER 5/8 USS		
	5X NYLON INSERT LOCK NUT 5/8-11 UNC GRADE 5		

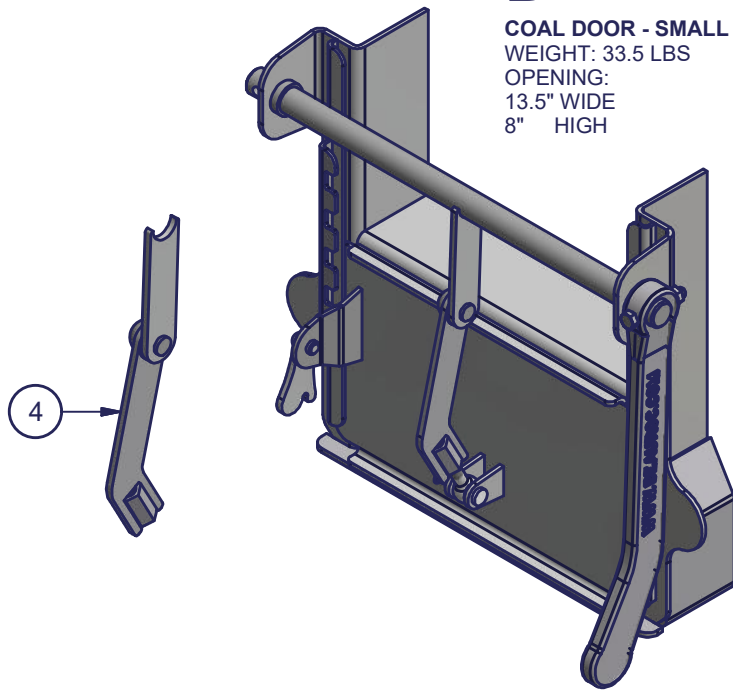
# A

**COAL DOOR - STANDARD**  
WEIGHT: 49.5 LBS  
OPENING:  
13.5" WIDE  
13" HIGH

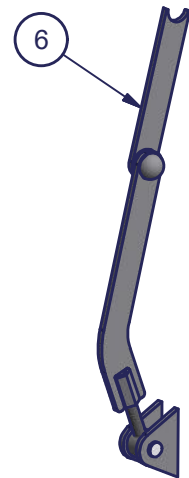


# B

**COAL DOOR - SMALL**  
WEIGHT: 33.5 LBS  
OPENING:  
13.5" WIDE  
8" HIGH



**DISCONTINUED PART**



**NOTE: FOR STANDARD  
COAL DOOR ONLY**



DECEMBER 2017

PART:

**801**

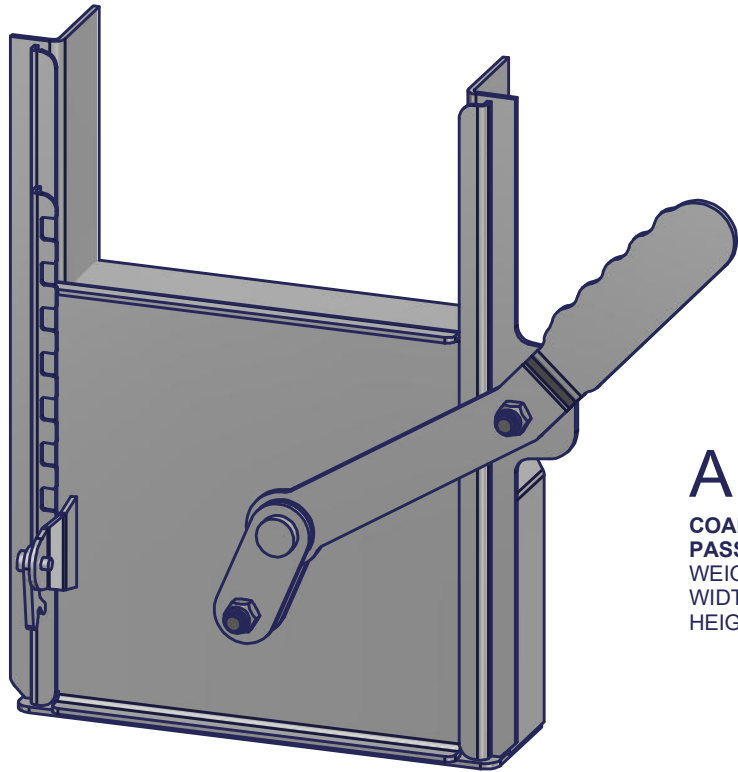
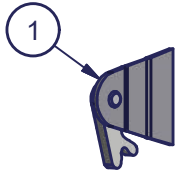
TITLE:

**COAL DOOR - STANDARD AND  
SMALL MODELS**

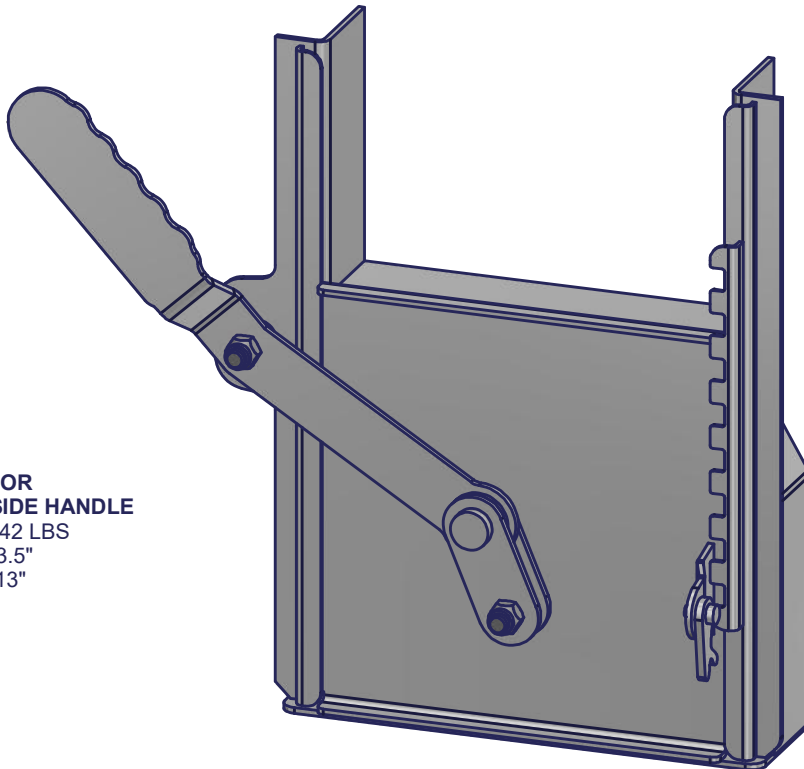


# PART # 801 - COAL DOOR STANDARD & SMALL MODELS

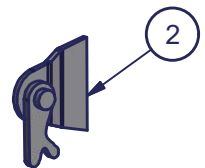
ITEM	DESCRIPTION	# BEAU-ROC	
<b>A</b>	<b>COAL DOOR STANDARD (13" HIGH OPENING)</b>	<b>801-1X</b>	
	<b>COAL DOOR STANDARD (13" HIGH OPENING) (INSTALLED)</b>	<b>801-1XI</b>	
1	LOCK HANDLE - PASSENGER SIDE	801-01-D	
2	HANDLE ADJUSTMENT BRACKET ASSEMBLY (STD COAL DOOR)	801-07	
3	TENSION ADJUSTER	801-05-08	
<b>B</b>	<b>COAL DOOR SMALL (8" HIGH OPENING)</b>	<b>801-2X</b>	
	<b>COAL DOOR SMALL (8" HIGH OPENING) (INSTALLED)</b>	<b>801-2XI</b>	
4	HANDLE ADJUSTMENT BRACKET (SMALL COAL DOOR)	801-5X	
	<i><b>COMMON PARTS</b></i>		
5	COAL DOOR BEAU-ROC MOLDED HANDLE	801-02	
	<i><b>DISCONTINUED PARTS</b></i>		
6	HANDLE ADJUSTMENT BRACKET ASSEMBLY (STD COAL DOOR) (OLD)	801-05	



**A**  
COAL DOOR  
PASSENGER SIDE HANDLE  
WEIGHT: 42 LB  
WIDTH: 13.5"  
HEIGHT: 13"



**B**  
COAL DOOR  
DRIVER SIDE HANDLE  
WEIGHT: 42 LBS  
WIDTH: 13.5"  
HEIGHT: 13"



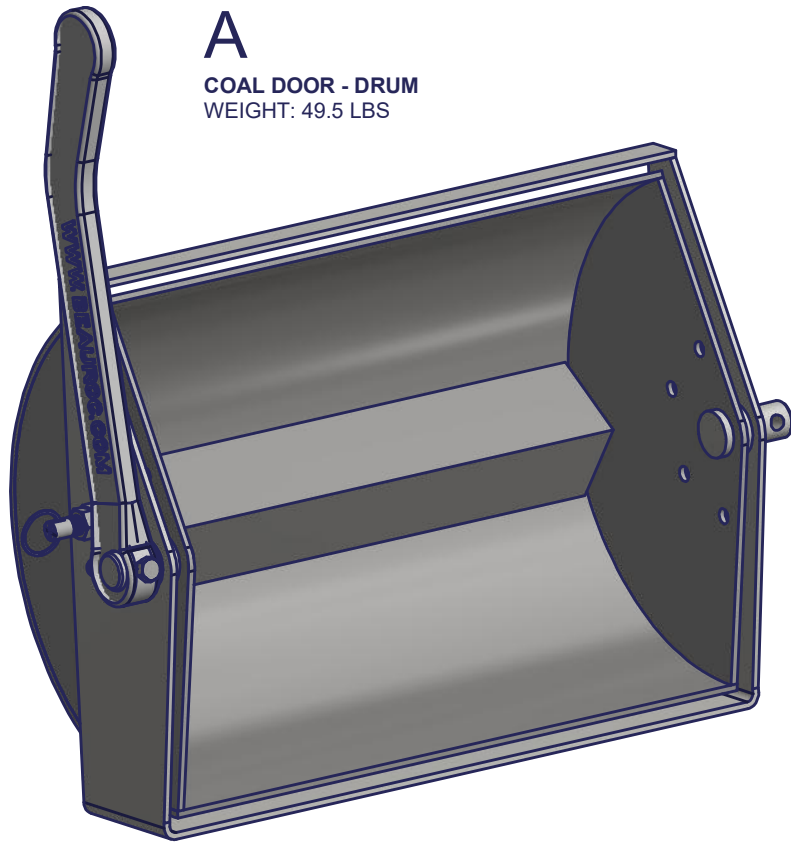
## PART # 801 - COAL DOOR SIDE HANDLE MODELS

ITEM	DESCRIPTION	# BEAU-ROC	
<b>A</b>	<b>HELPER SIDE HANDLE COAL DOOR (13" HIGH OPENING)</b>	<b>801-3X-D</b>	
	<i>HELPER SIDE HANDLE COAL DOOR (13" HIGH OPENING)</i> <i>(INSTALLED)</i>	<b>801-3X-DI</b>	
1	LOCK HANDLE - PASSENGER SIDE	801-01-D	
<b>B</b>	<b>DRIVER SIDE HANDLE COAL DOOR (13" HIGH OPENING)</b>	<b>801-3X-G</b>	
	<i>DRIVER SIDE HANDLE COAL DOOR (13" HIGH OPENING)</i> <i>(INSTALLED)</i>	<b>801-3X-GI</b>	
2	LOCK HANDLE - DRIVER SIDE	802-01-G	

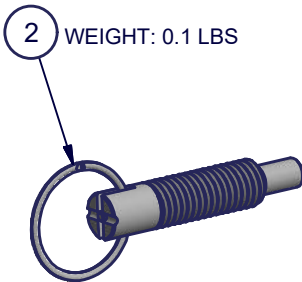
1 WEIGHT: 3.5 LBS



**A**  
COAL DOOR - DRUM  
WEIGHT: 49.5 LBS



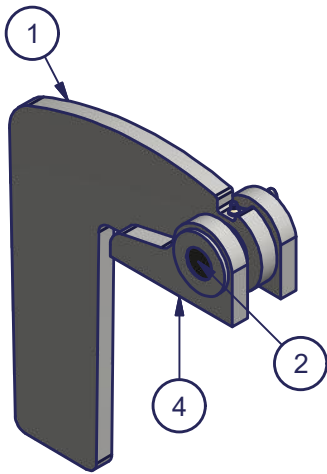
2 WEIGHT: 0.1 LBS





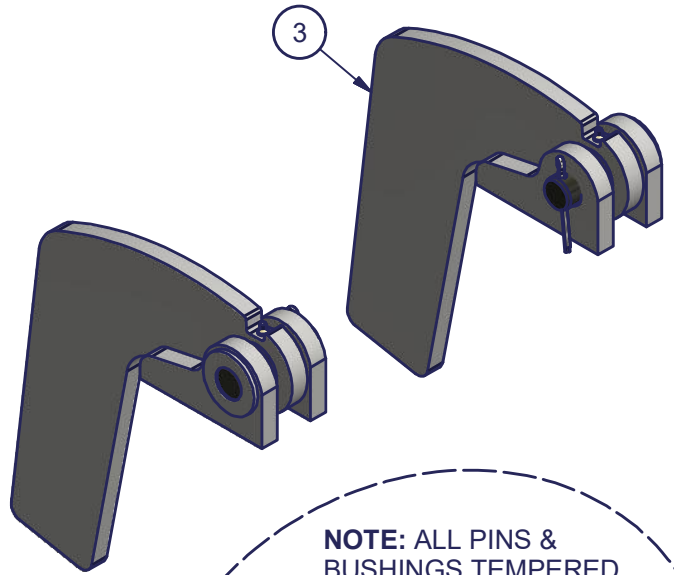
**A**

(3/4" THICK)  
WEIGHT: 51.1 LBS/ SET



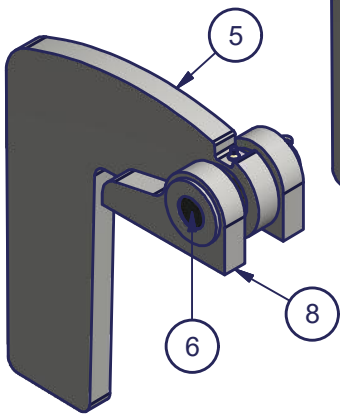
**B**

(3/4" THICK)  
WEIGHT: 51.6 LBS/ SET

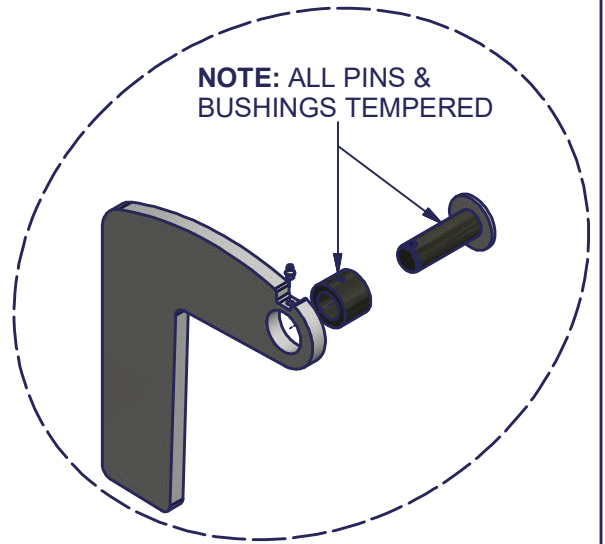


**C**

(1" THICK)  
WEIGHT: 69.6 LBS/ SET



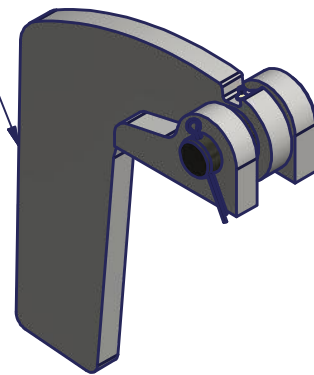
**NOTE: ALL PINS & BUSHINGS TEMPERED**



**9**



**7**



**D**

(1" THICK)  
WEIGHT: 70.3 LBS/ SET

## PART # 805 - UPPER TAILGATE HINGE KIT

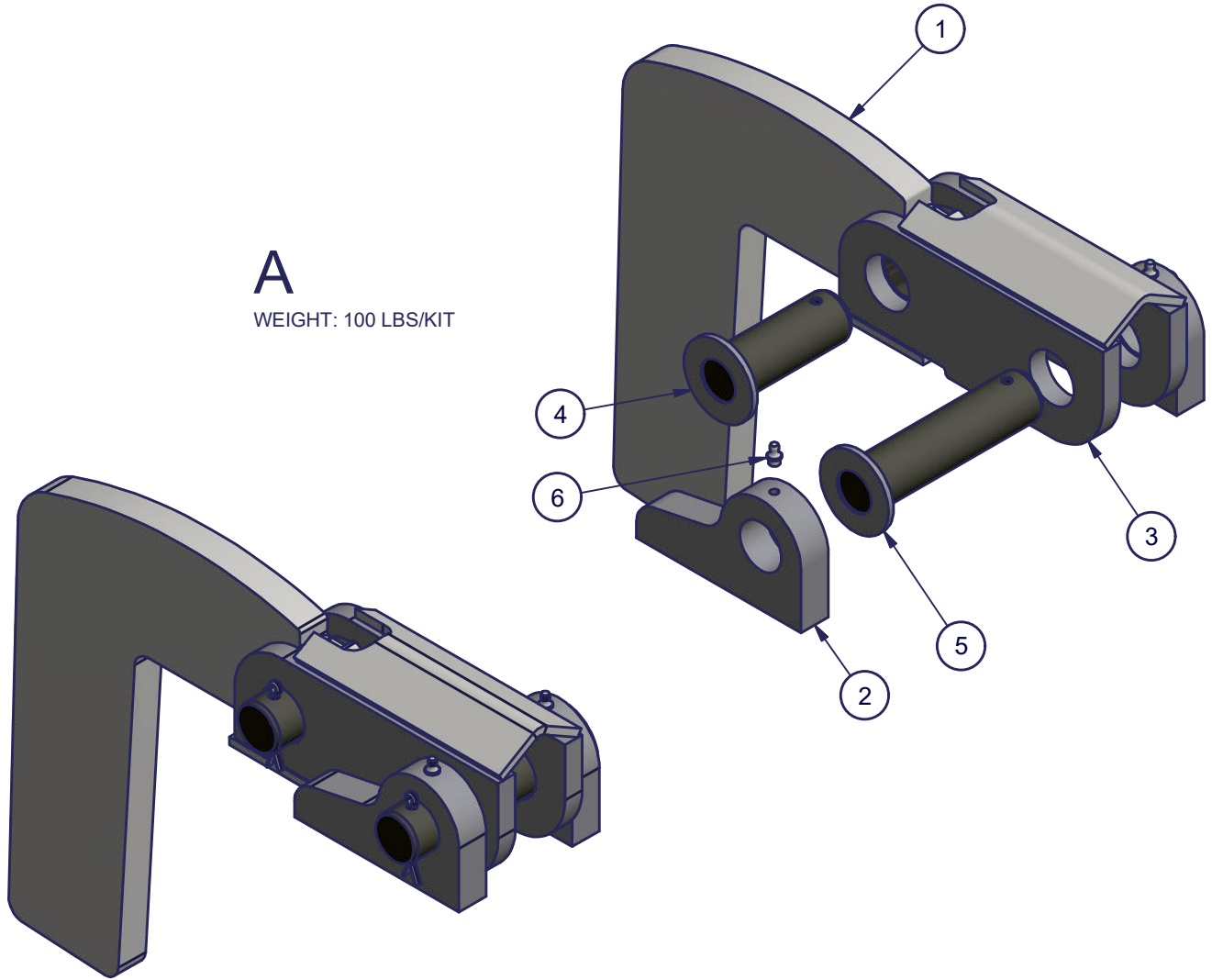
ITEM	DESCRIPTION	# BEAU-ROC	
<b>A</b>	<b>STANDARD TAILGATE HINGE KIT (3/4" THICK)</b>	<b>805-1X</b>	
1	STANDARD MOBILE HINGE (3/4" THICK) (EACH)	805-01-3X	
<b>B</b>	<b>SLANTED TAILGATE HINGE KIT (3/4" THICK)</b>	<b>805-2X</b>	
3	SLANTED MOBILE HINGE (3/4" THICK) (EACH)	805-02-3X	
	<b>COMMON PARTS (A &amp; B)</b>		
2	STANDARD PIN (1 1/4" DIA. X 3 3/4") (EACH)	805-01-2S	
4	STANDARD FIXED HINGE (3/4" THICK) (EACH)	805-01-01	
<b>C</b>	<b>EXTRA STRONG TAILGATE HINGE KIT (1" THICK) (HTT, DH MODELS &amp; HIGH LIFT TAILGATES)</b>	<b>805-3X</b>	
	<b>EXTRA STRONG TAILGATE HINGE KIT UPGRADE (UPGRADE FROM 3/4" THICK TO 1" THICK) (INSTALLED)</b>	<b>805-3XI</b>	
5	EXTRA STRONG MOBILE HINGE (1" THICK) (EACH)	805-03-3X	
<b>D</b>	<b>EXTRA STRONG SLANTED TAILGATE HINGE KIT (1" THICK) (HTT, DH MODELS, HIGH LIFT TAILGATES &amp; ASPHALT TAILGATES )</b>	<b>805-5X</b>	
	<b>EXTRA STRONG SLANTED TAILGATE HINGE KIT UPGRADE (UPGRADE FROM 3/4" THICK TO 1" THICK) (INSTALLED)</b>	<b>805-5XI</b>	
7	EXTRA STRONG SLANTED MOBILE HINGE (1" THICK) (EACH)	805-05-3X	
	<b>COMMON PARTS (C &amp; D)</b>		
6	EXTRA STRONG PIN (1 1/2" DIA. X 4 1/2") (EACH)	805-03-2S	
8	EXTRA STRONG FIXED HINGE (1" THICK) (EACH)	805-03-01	
	<b>COMMON PARTS (A,B,C &amp; D)</b>		
9	GREASE FITTING 5/16" DRIVE TYPE	GF-3125-DT	
	<b>NOTE: SLANTED HINGES INSTALLED ON 12" &amp; 16" SLOPED BODIES</b>		

**PARTS AND ACCESSORIES**

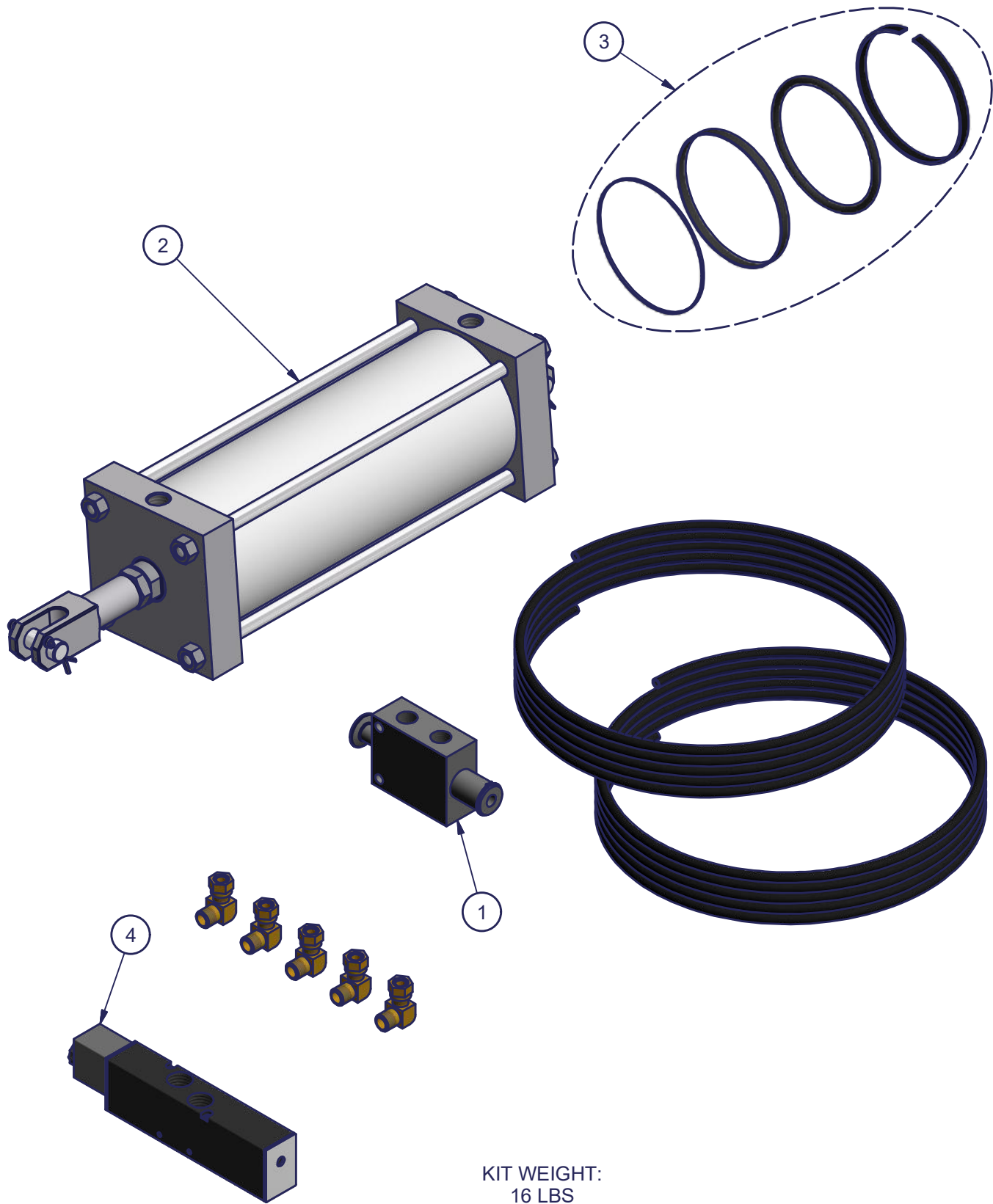
**DECEMBER 2017**

A

WEIGHT: 100 LBS/KIT







KIT WEIGHT:  
16 LBS

**A**



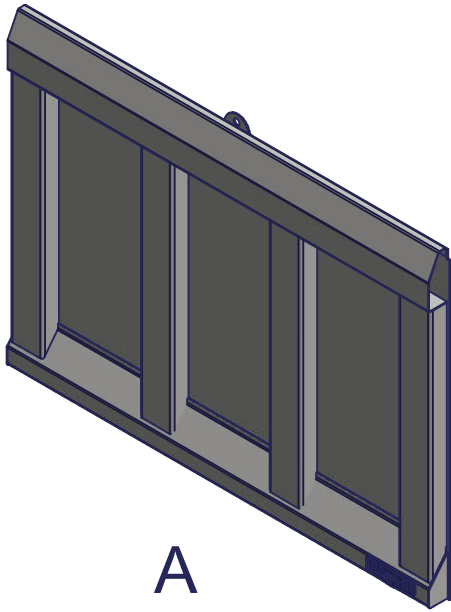
# PART # 815 - TAILGATE AIR CYLINDER KIT

ITEM	DESCRIPTION	# BEAU-ROC	
<b>A</b>	<b>3 1/2" DIA. AIR CYLINDER KIT</b> <i>KIT INCLUDES:</i> 1x AIR CYLINDER 3 1/2" BORE X 8" STROKE 1x PUSH-PULL AIR VALVE 1x 90° ELBOW FITTING 2x AIR BRAKE HOSE SAE J844 TYPE A 1/4" OD	<b>815-BH3.58</b>	
	<i>REPLACEMENT PARTS</i>		
1	PUSH-PULL AIR VALVE	BH-VALVE-02	
2	3 1/2" DIA. AIR CYLINDER ONLY	815-BH3.58-01	
3	TAILGATE CYLINDER SEAL KIT	815-BH-02	
	<i>OPTIONAL PARTS</i>		
4	SINGLE ACTING ELEC.-PNEUMATIC VALVE <i>(4 WAY 2 POSITION SPRING RETURN)</i>	815-4W2PSV	

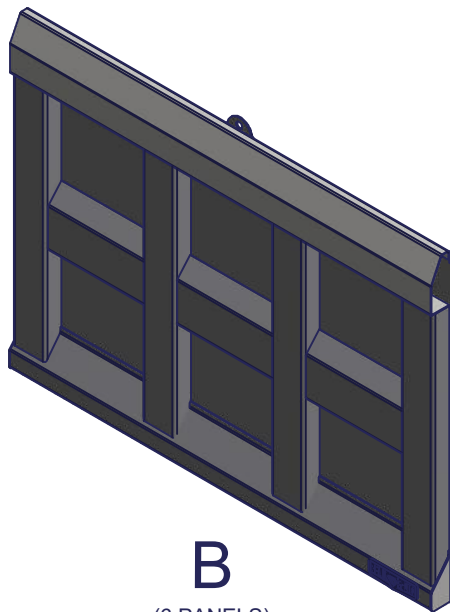
PARTS AND ACCESSORIES

DECEMBER 2017

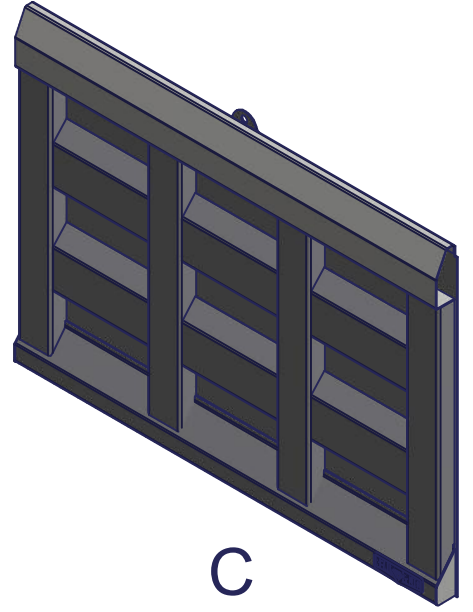
# STANDARD MODELS



**A**  
(3 PANELS)  
MODEL: LS

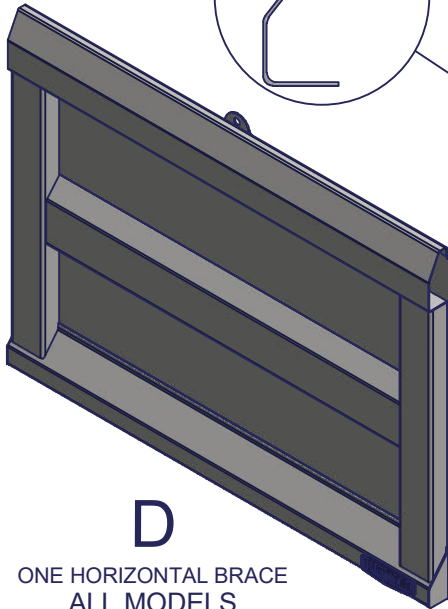
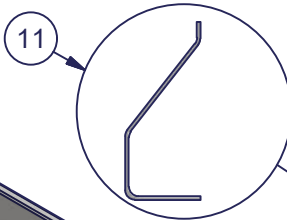
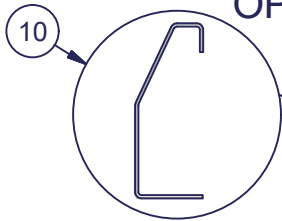


**B**  
(6 PANELS)  
MODELS: HS, LT  
HT, HTNE, LTT, DBL

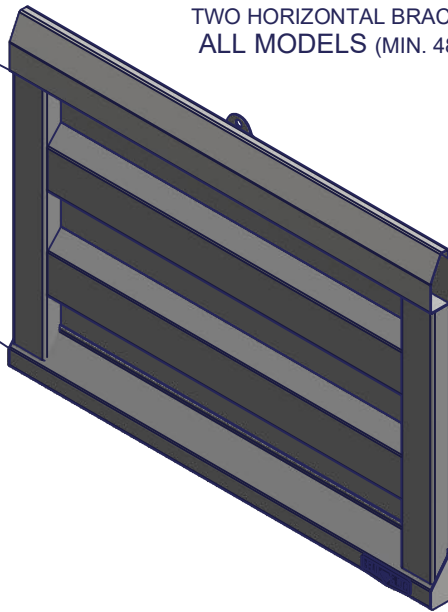


**C**  
(9 PANELS)  
MODELS: HTT, DBH

# OPTIONAL MODELS



**D**  
ONE HORIZONTAL BRACE  
ALL MODELS

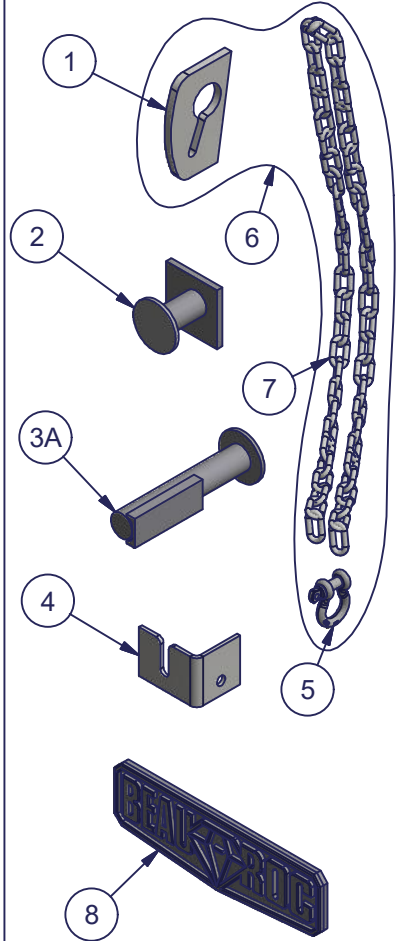


**E**  
TWO HORIZONTAL BRACES  
ALL MODELS (MIN. 48")



9

# TAILGATE PARTS



# PART # 800 - TRADITIONAL TAILGATE MODELS

MODELS	HEIGHT ↓	TAILGATE CHART (89 1/2" WIDE TRADITIONAL TAILGATE)					
	MATERIAL →	44-W	AR225	HARDOX 450			
	THICKNESS →	3/16"	1/4"	3/16"	1/4"	3/8"	1/2"
	CODE →	1	2	3	4	5	6
A A-B-D A-B-C-D-E	30"						
	36"						
	42"						
	48"						
	54"						
	60"						
	66"						
	72"						

Ex 1: 6 panel tailgate, 60" high made of HARDOX 3/16"

CODE:	SERIES	MODEL	HEIGHT	MATERIAL	CODE
Code 1:	800 -	B	60 -	3	800-B60-3

Ex 2: two horizontal braces tailgate, 54" high made of AR225 1/4"

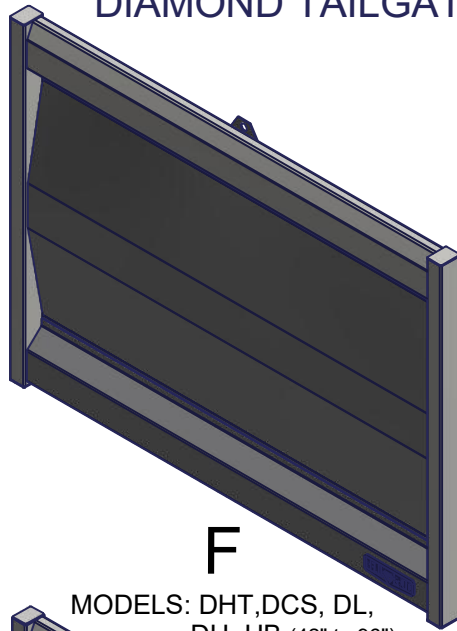
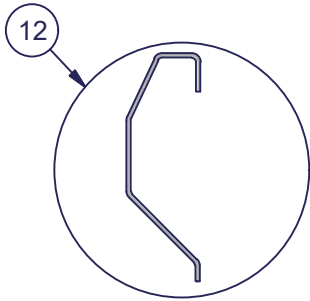
Code 2:	SERIES	MODEL	HEIGHT	MATERIAL	CODE
	800 -	E	54 -	2	800-E54-2

**Note:** for replacement tailgates, it is always best to order with serial number of dump body.

## ACCESSORIES

ITEM	DESCRIPTION	# BEAUROC
1	3/8" CHAIN BANJO (EACH)	800-02-02
2	TAILGATE PIN (3" LONG) (DOUBLE ACTING & ASPHALT) (EACH)	800-2X
3A	STANDARD TAILGATE LOCKING PIN (1 1/4" DIA. X 7" LONG) (EACH)	800-06
3B	DIAMOND TAILGATE LOCKING PIN (1 1/4" DIA. X 5 1/4" LONG) (EACH) see p.713	800A-06D
4	TAILGATE CHAIN KEEPER KIT (1 LEFT & 1 RIGHT)	800-02-06X
5	3/8" SHACKLE (EACH)	800-02-08
6	48" CHAIN, 3/8" BANJO & SHACKLES (STD OPENING TAILGATE) (2 of each item)	800-01-09X
7	CHAIN (3/8", GRADE 70) (EACH) - SPECIFY LENGTH EX: 800-02-076	800-02-LXX
8	DUMP BODY TAILGATE LOGO (3" X 10")	800-02-05
9	TAILGATE WARNING LABEL (GENERAL)	1003-800-01
10	DIRT SHEDDING TOP BRACE (TRADITIONAL TAILGATE) (A36-3/16") *	800-03-T96
11	DIRT SHEDDING BOTTOM BRACE (TRADITIONAL TAILGATE) (A36-3/16") *	800-03-B96
12	DIRT SHEDDING TOP BRACE (DIAMOND TAILGATE) (A36-3/16") *	800A-03-T96
13A	DIRT SHEDDING BOTTOM BRACE (ONE FOLD DIAMOND TAILGATE) (A36-3/16") *	800A-03-BD96
13B	DIRT SHEDDING BOTTOM BRACE (TWO FOLD DIAMOND TAILGATE) (A36-3/16") *	800A-03-B96
	* Dump body serial number required	
	**Note: other widths call Beau Roc	

# DIAMOND TAILGATES

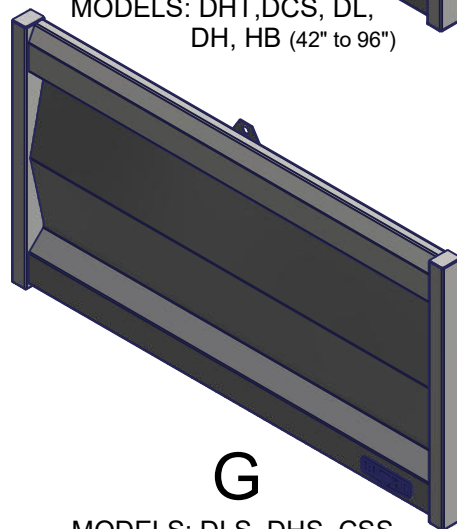
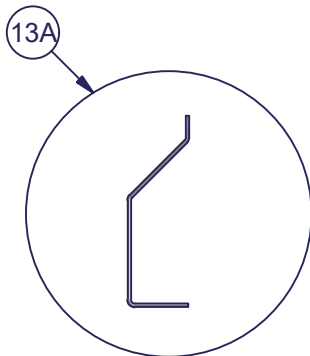


**F**

MODELS: DHT,DCS, DL,  
DH, HB (42" to 96")

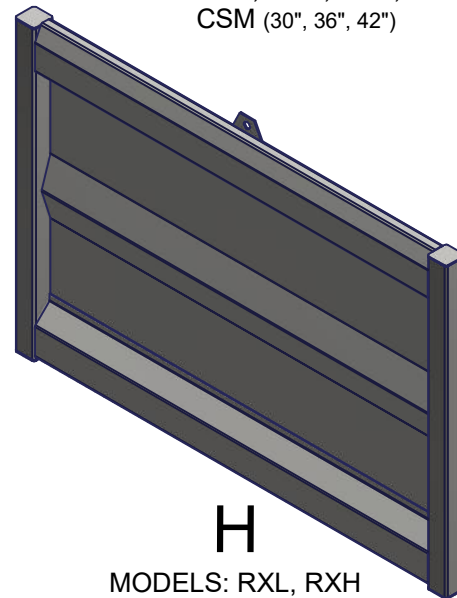
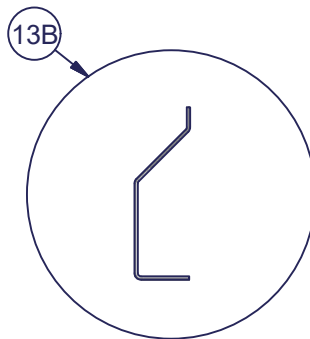


SEE P. 718



**G**

MODELS: DLS, DHS, CSS,  
CSM (30", 36", 42")



**H**

MODELS: RXL, RXH  
(42" TO 66")

### DIAMOND TAILGATE PARTS

1

2

3B

4

5

6

7

8

WEIGHT : 2.3 LBS

SEE P. 718

# PART # 800A - DIAMOND TAILGATE MODELS

MODELS		HEIGHT ↓	TAILGATE CHART (89" WIDE DIAMOND TAILGATE)					
		MATERIAL →	44-W	AR225	HARDOX 450			STRENX
		THICKNESS →	3/16"	1/4"	3/16"	1/4"	3/8"	3/16"
		CODE →	1	2	3	4	5	7
F	G	30"						
		36"						
		42"						
	H	48"						
		54"						
		60"						
		66"						
		72"						
		84"						
96"								

**Ex 1:** Diamond one fold tailgate, 36" high, made of STRENX 3/16"

CODE	SERIES	MODEL	HEIGHT	MATERIAL	CODE
Code 1:	800A -	G	36 -	7	800A-G36-7

**Ex 2:** Diamond two fold tailgate, 66" high, made of HARDOX 1/4"

Code 2:	800A -	F	66 -	4	800A-F66-4
---------	--------	---	------	---	------------

**Note(s):** 1) For replacement tailgates, it is always best to order with serial number of dump body.  
2) For parts see page 718.

## TAILGATE CODES: BEAU-ROC DUMP BODY MODELS

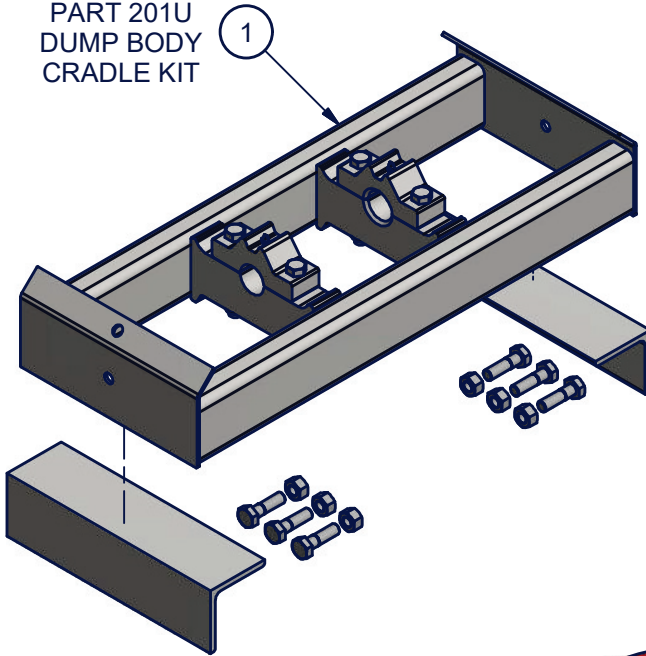
*Note: this table gives the default tailgate models & standard height range of the Beau-Roc dump body models.*

BODY MODEL	SERIES	MODEL	HEIGHT	MATERIAL	CODE	
LS	800	A	30" to 48"	44W 3/16"	800-AXX-1	
LT			36" to 60"	AR225 1/4"	800-BXX-2	
HS-HT		B	30" to 60"	AR225 1/4"	800-BXX-2	
HTNE-LTT-DBL			C	36" to 72"	HARDOX 3/16"	800-BXX-3
HTT-DBH					HARDOX 1/4"	800-CXX-4
CSS	800A	G	30" to 48"	44W 3/16"	800A-GXX-1	
CSM				Domex 3/16"	800A-GXX-7	
DHS, DCS, DL		F or G	30" to 72"	HARDOX 3/16"	800A-F or GXX-3	
DH				HARDOX 1/4"	800A-F or GXX-4	
RXL		H	42" to 72"	HARDOX 3/16"	800A-HXX-3	
RXH				HARDOX 1/4"	800A-HXX-4	

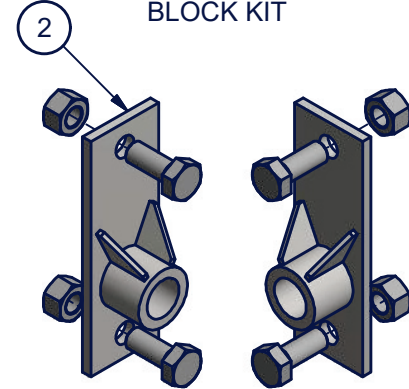
## SECTION 8 - ULTRA & ULTRA-C PARTS CATALOGUE

PART #	DESCRIPTION	PAGE
<b>MOUNTING KITS &amp; TANKS</b>		
903U	MOUNTING KIT WITH TANK	801-802
905U	MOUNTING KIT WITHOUT TANK	803-804
902U	MOUNTING KIT - CRADLE, BLOCKS & HINGE	805-806
<b>TRUNNION BLOCKS</b>		
206U	UPPER TRUNNION BLOCK KIT	807-808
631U-632U	TRUNNION BLOCK BRACKET KIT	809-810
<b>CRADLE KITS</b>		
201U	DUMP BODY CRADLE KIT	811-812
<b>REAR HINGE</b>		
185U	DUMP BODY HINGE KIT	813-814
<b>HYDRAULICS</b>		
230A-U	OIL TANK KIT	815-816
900U	HYDRAULIC CONNECTION KIT	817-818
<b>CYLINDERS &amp; POWER PACK</b>		
500U @ 502U	MAILHOT TELESCOPIC CYLINDERS	819-820
300A	SINGLE ACTING (TWO STAGES) ELECTRIC HYDRAULIC POWER PACK	821-822
<b>FRONT OPTIONS</b>		
151U	MANUAL TARP ROLLER KIT WITH MESH	823-824
628U	ULTRA FRONT OPTIONS	825-826
<b>REAR OPTIONS</b>		
911U	WIRING HARNESS KIT	827-828
810U	MANUAL OPENING TAILGATE KIT	829-830
708U	DOUBLE ACTING TAILGATE LATCH BOLSTER KIT	831-832
800U-S	ULTRA REPLACEMENT SIDES & ACCESSORIES	833-834
800U-T	ULTRA REPLACEMENT TAILGATES & ACCESSORIES	835-836
<b>ROLLERS</b>		
750U	HOOK LIFT ROLLERS	837-838
<b>BOTTOM OPTIONS</b>		
269U	ULTRA BODY PROP KIT	839-840

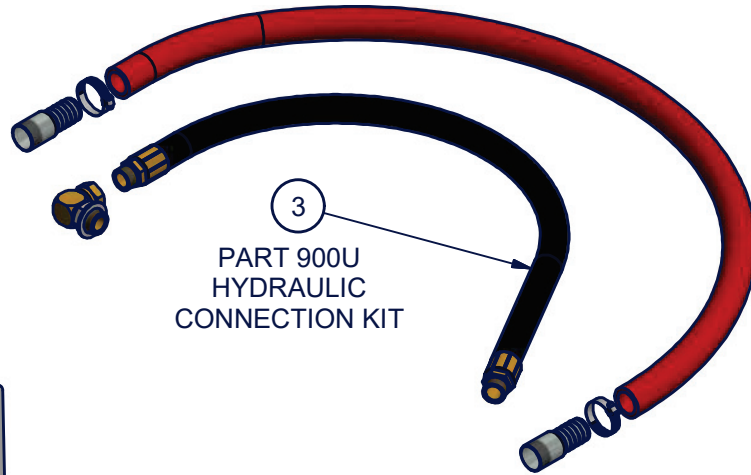
PART 201U  
DUMP BODY  
CRADLE KIT



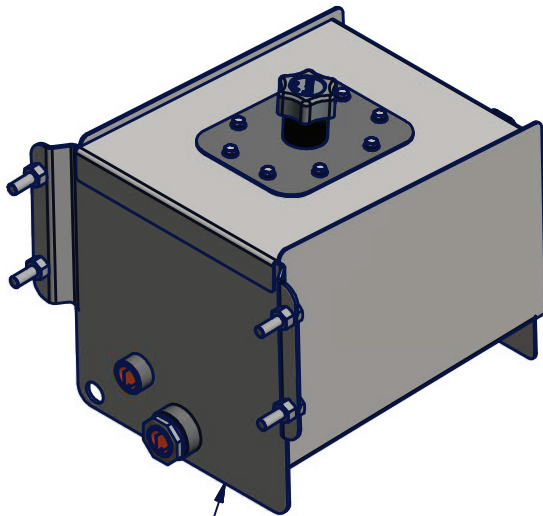
PART 206U  
UPPER TRUNNION  
BLOCK KIT



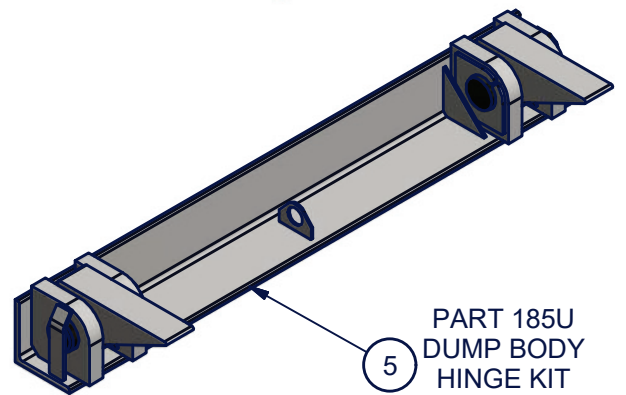
PART 900U  
HYDRAULIC  
CONNECTION KIT



PART  
230A-U  
OIL TANK  
KIT



PART 185U  
DUMP BODY  
HINGE KIT



TOTAL WEIGHT OF INSTALLATION KIT (LBS):

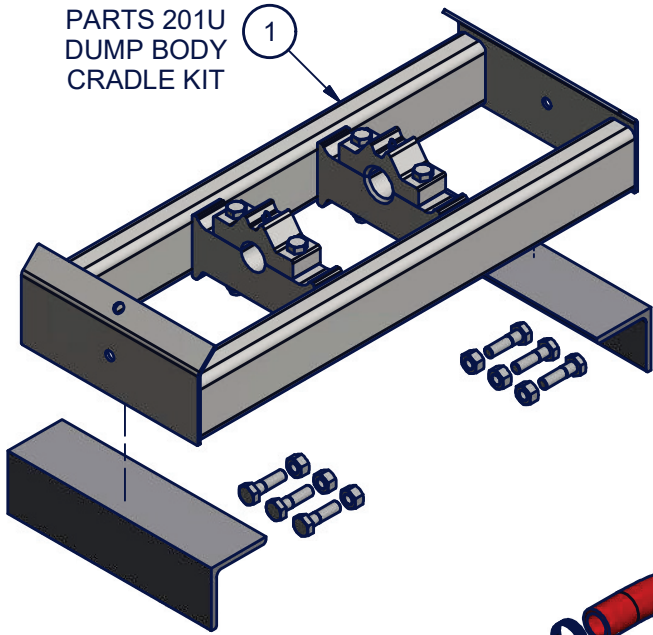
8T	24T	35T
154	267	341



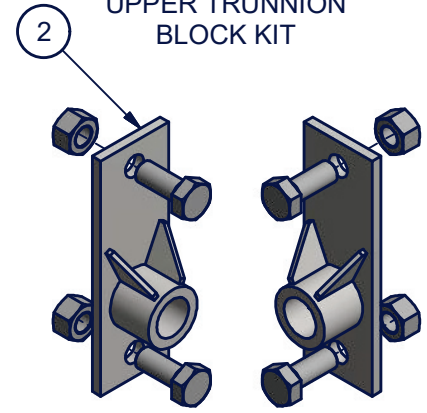
## PART # 903U - MOUNTING KIT WITH TANK

ITEM	DESCRIPTION	# BEAU-ROC	
8T	CRADLE & BLOCKS & HINGE & TANK 8T	903-06-08T	
	CRADLE & BLOCKS & HINGE & TANK 8T <i>(WITH SUBFRAME)</i>	903U-06-08T	
24T	CRADLE & BLOCKS & HINGE 24T, TANK 24-35T	903-20-24T	
	CRADLE & BLOCKS 24T, HINGE 35-45T, TANK 24-35T	903-20-24T-1	
35T	CRADLE & BLOCKS 35T, HINGE 35-45T, TANK 24-35T	903-30-35T-1	
1	DUMP BODY CRADLE KITS	PART 201U	p.812
-	<b>HARDWARE KIT 201-(202)-1</b>	<b>HW-201-1</b>	<b>p.135</b>
2	UPPER TRUNNION BLOCK KITS	PART 206U	p.808
-	<b>HARDWARE KIT 206</b>	<b>HW-201-2A</b>	<b>p.135</b>
3	HYDRAULIC CONNECTION KITS	PART 900U	p.818
4	OIL TANK KITS	PART 230A-U	p.816
-	<b>HARDWARE KIT 230A</b>	<b>HW-230A-1</b>	<b>p.135</b>
5	DUMP BODY HINGE KITS	PART 185U	p.814

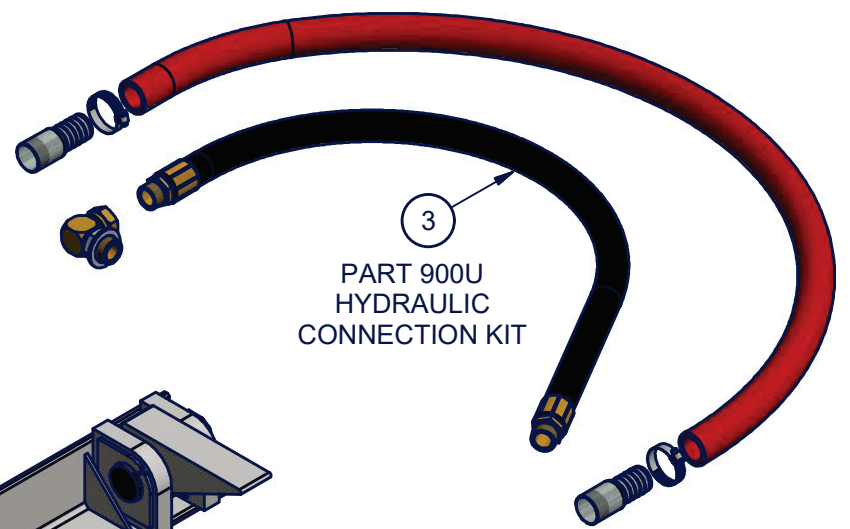
PARTS 201U  
DUMP BODY  
CRADLE KIT



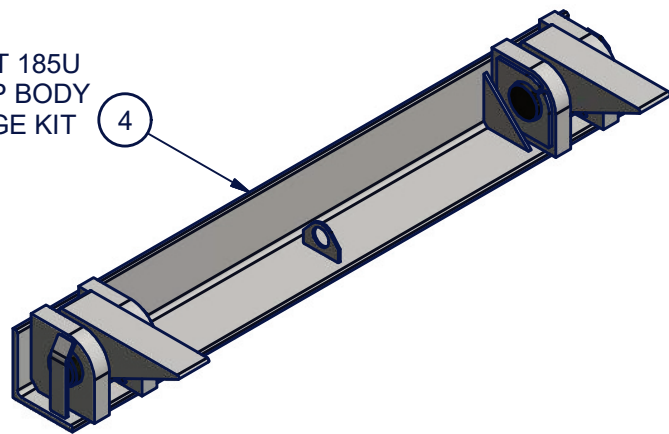
PART 206U  
UPPER TRUNNION  
BLOCK KIT



PART 900U  
HYDRAULIC  
CONNECTION KIT



PART 185U  
DUMP BODY  
HINGE KIT



TOTAL WEIGHT OF INSTALLATION KIT (LBS):

8T	24T	35T
108	203	277



PART:

**905U**

TITLE:

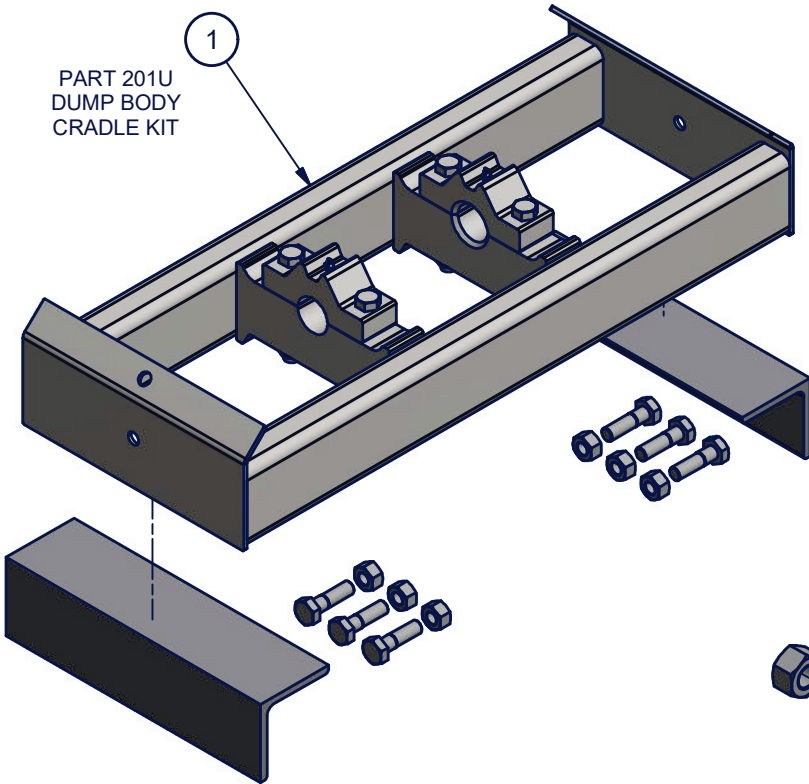
**MOUNTING KIT WITHOUT TANK**



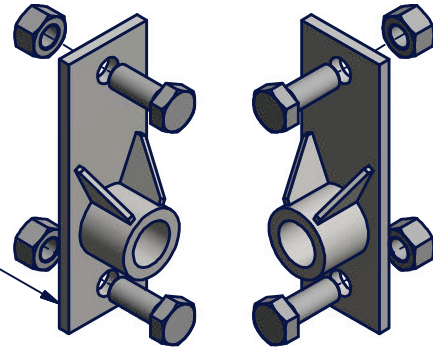
**PART # 905U - MOUNTING KIT WITHOUT TANK**

<b>ITEM</b>	<b>DESCRIPTION</b>	<b># BEAU-ROC</b>	
8T	CRADLE & BLOCKS & HINGE 8T, NO TANK	905-06-08T	
	CRADLE & BLOCKS & HINGE 8T (WITH SUBFRAME) - NO TANK	905U-06-08T	
24T	CRADLE & BLOCKS & HINGE 24T, NO TANK	905-20-24T	
	CRADLE & BLOCKS 24T, HINGE 35-45T, NO TANK	905-20-24T-1	
35T	CRADLE & BLOCKS 35T, HINGE 35-45T, NO TANK	905-30-35T-1	
1	DUMP BODY CRADLE KITS	PART 201U	<b>p.812</b>
-	<b>HARDWARE KIT 201-(202)-1</b>	<b>HW-201-1</b>	<b>p.135</b>
2	UPPER TRUNNION BLOCK KITS	PART 206U	<b>p.808</b>
-	<b>HARDWARE KIT 206</b>	<b>HW-206-1</b>	<b>p.135</b>
3	HYDRAULIC CONNECTION KITS	PART 900U	<b>p.818</b>
4	DUMP BODY HINGE KITS	PART 185U	<b>p.814</b>

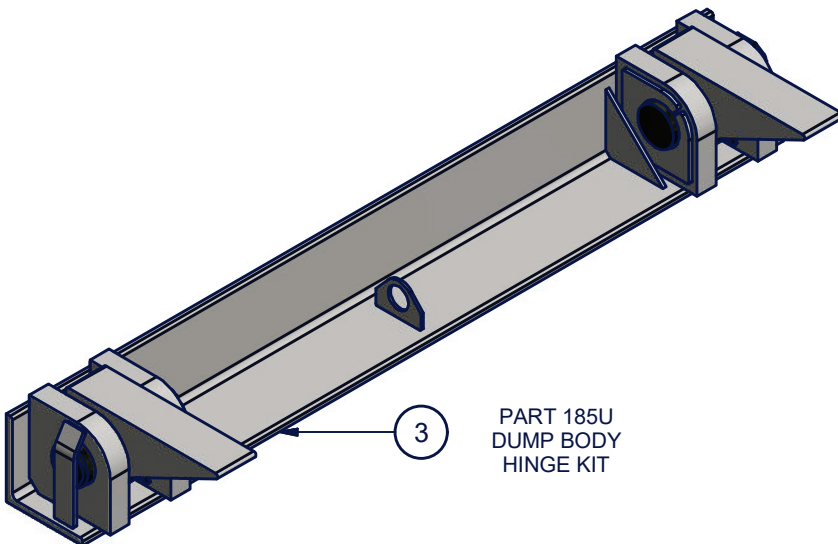
1  
PART 201U  
DUMP BODY  
CRADLE KIT



2  
PART 206U  
UPPER TRUNNION  
BLOCK KIT



3  
PART 185U  
DUMP BODY  
HINGE KIT

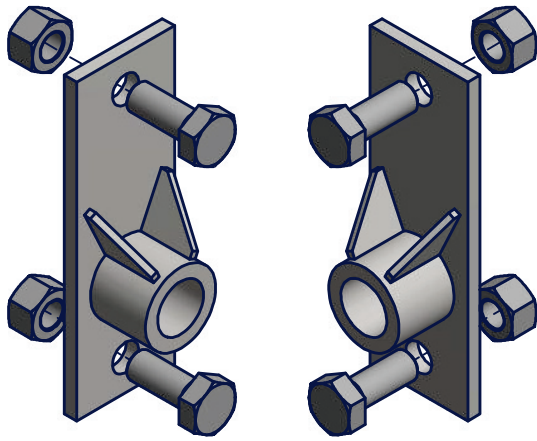


TOTAL WEIGHT OF INSTALLATION KIT (LBS):

8T	24T	35T
81	194	268

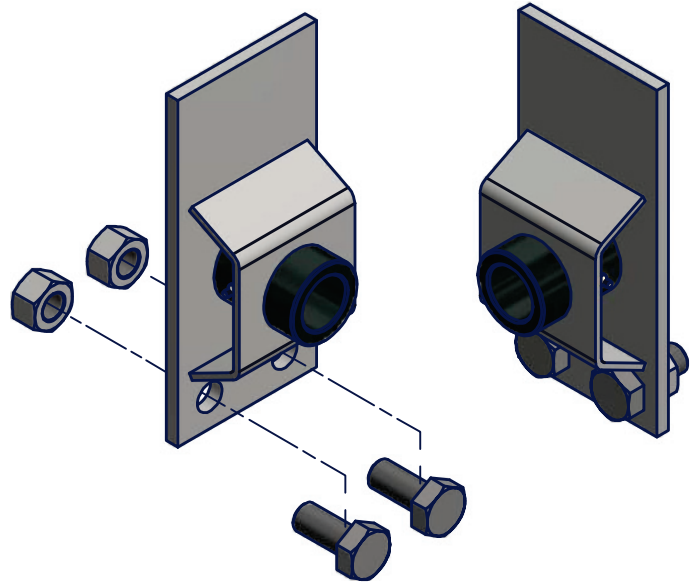
# PART # 902U - MOUNTING KIT - CRADLE, BLOCKS & HINGE

ITEM	DESCRIPTION	# BEAU-ROC	
8T	CRADLE, BLOCKS & HINGE 8T	902-06-08T	
	CRADLE, BLOCKS & HINGE 8T <i>(WITH SUBFRAME)</i>	902U-06-08T	
24T	CRADLE, BLOCKS & HINGE 24T	902-20-24T	
	CRADLE, BLOCKS 24T & HINGE 35-45T	902-20-24T-1	
35T	CRADLE, BLOCKS 35T & HINGE 35-45T	902-30-35T-1	
1	DUMP BODY CRADLE KITS	PART 201U	p.812
-	HARDWARE KIT 201-(202)-1	HW-201-1	p.135
2	UPPER TRUNNION BLOCK KITS	PART 206U	p.808
-	HARDWARE KIT 206	HW-206-1	p.135
3	DUMP BODY HINGE KITS	PART 185U	p.814



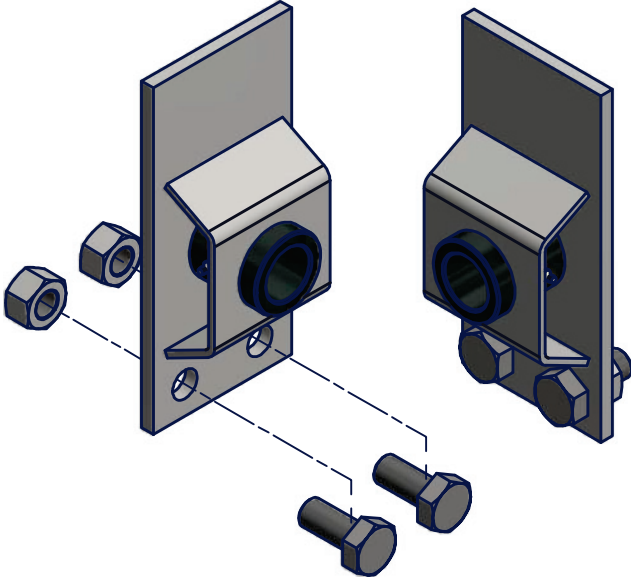
8T  
WEIGHT: 19 LBS./ SET

**A**



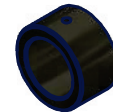
24T  
WEIGHT: 39 LBS./ SET

**B**



35T  
WEIGHT: 39 LBS./ SET

**C**

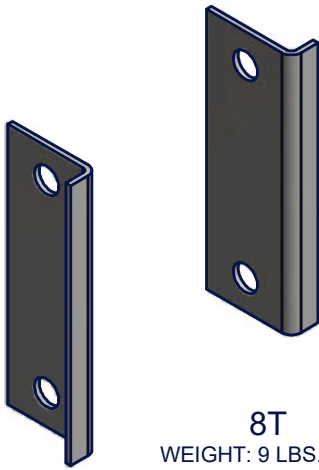


TEMPERED STEEL BUSHINGS  
(24T & UP)



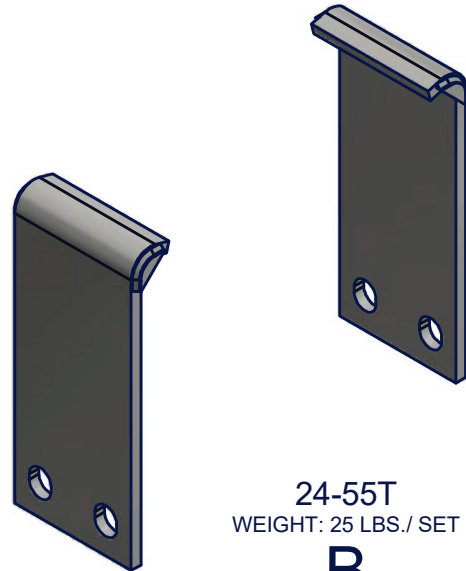
**PART # 206U - UPPER TRUNNION BLOCK KIT**

ITEM	DESCRIPTION	# BEAU-ROC	
A	UPPER TRUNNION BLOCK KIT 8T	206-06-08T	
B	UPPER TRUNNION BLOCK KIT 24T	206-20-24T	
C	UPPER TRUNNION BLOCK KIT 35T	206-30-35T	
	<i>COMMON PARTS</i>		
1	GREASE FITTING 5/16" DRIVE TYPE	GF-3125-DT	
-	HARDWARE KIT 206	HW-206-1	p.135



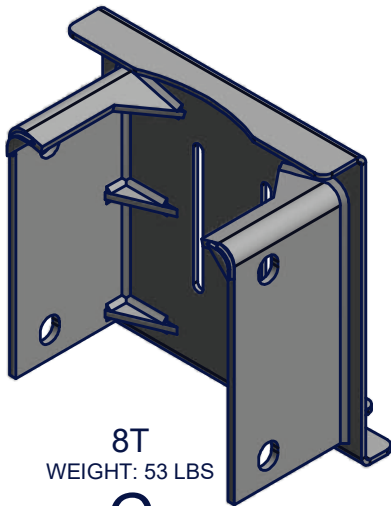
8T  
WEIGHT: 9 LBS./ SET

A



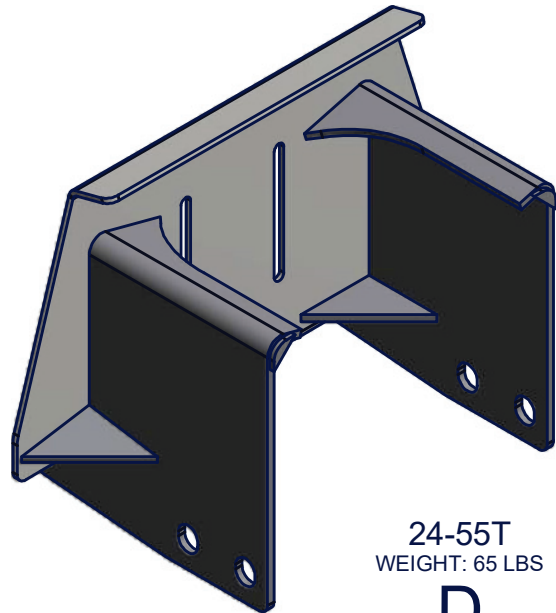
24-55T  
WEIGHT: 25 LBS./ SET

B



8T  
WEIGHT: 53 LBS

C

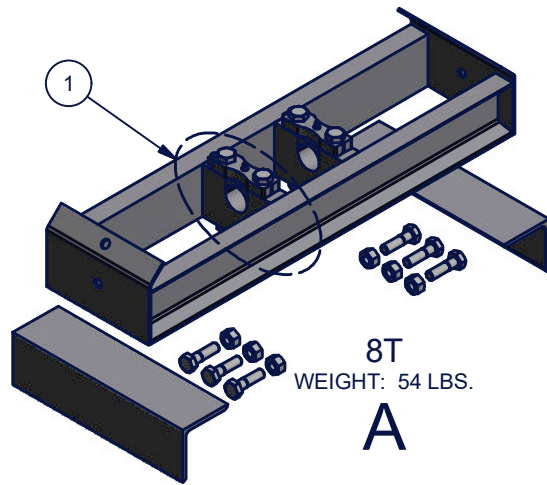


24-55T  
WEIGHT: 65 LBS

D

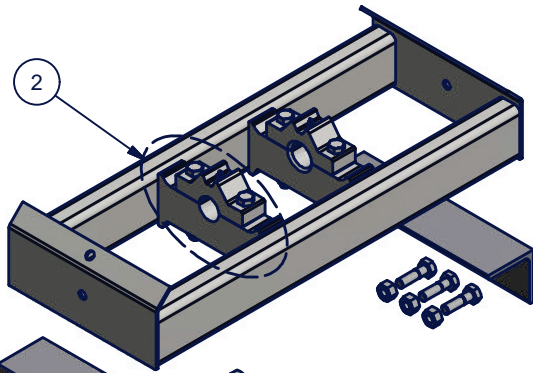
## PART # 631U-632U - TRUNNION BLOCK BRACKET KIT

ITEM	DESCRIPTION	# BEAU-ROC	
A	TRUNNION BLOCK BRACKET KIT 8T	631U-06-08T	
B	TRUNNION BLOCK BRACKET KIT 24-55T	631-24-50T	
C	TRUNNION BLOCK BRACKET KIT 8T <i>(FLAT FRONT)</i>	632-06-08T	
	TRUNNION BLOCK BRACKET KIT 8T <i>(INSTALLED) (FLAT FRONT)</i>	632-06-08TI	
D	TRUNNION BLOCK BRACKET 24-45T <i>(FLAT FRONT)</i>	632-24-45T	
	TRUNNION BLOCK BRACKET 24-45T <i>(INSTALLED) (FLAT FRONT)</i>	632-24-45TI	
<b>Notes(C-D): with dump body purchase when installed at the factory.</b>			



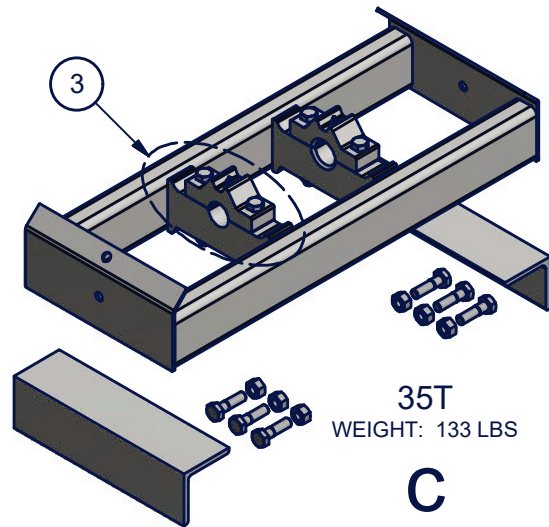
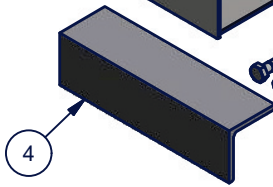
8T  
WEIGHT: 54 LBS.

**A**



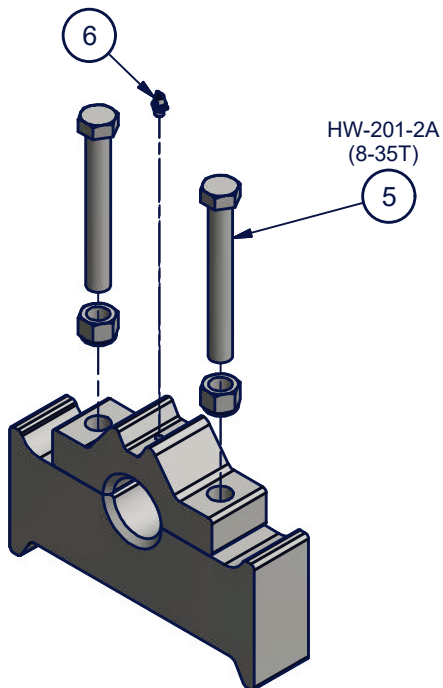
24T  
WEIGHT: 90 LBS

**B**



35T  
WEIGHT: 133 LBS

**C**



HW-201-2A  
(8-35T)



FEBRUARY 2018

PART:

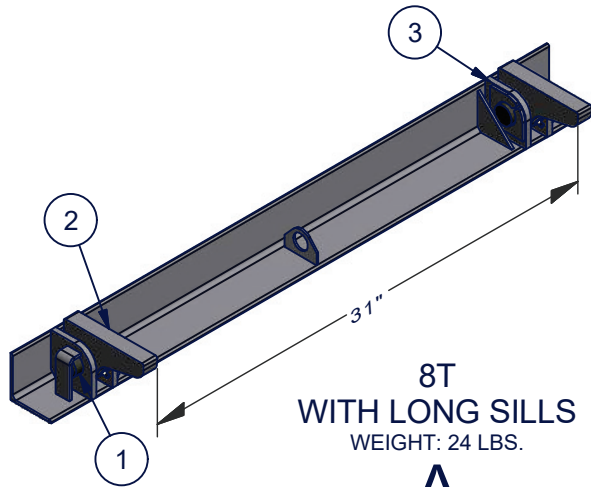
**201U**

TITLE:

**DUMP BODY CRADLE KIT**

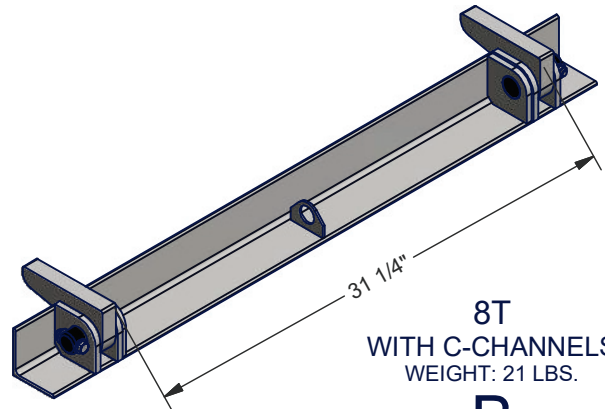
## PART # 201U - DUMP BODY CRADLE KIT

ITEM	DESCRIPTION	# BEAU-ROC	
<b>A</b>	<b>DUMP BODY CRADLE KIT 8T</b>	<b>201-06-08T</b>	
1	REPLACEMENT BRACE - BLOCK 8T	201-06-08-01X	
<b>B</b>	<b>DUMP BODY CRADLE KIT 24T</b>	<b>201-20-24T</b>	
2	REPLACEMENT BRACE - BLOCK 24T	201-20-24-02X	
<b>C</b>	<b>DUMP BODY CRADLE KIT 35T</b>	<b>201-30-35T</b>	
3	REPLACEMENT BRACE - BLOCK 35T	201-30-35-02X	
<i>COMMON PARTS</i>			
4	ANGLE IRON KIT 8-35T <i>(15" LONG, 4" X 4" X 3/8")</i>	201-24-35-02	
-	<b>HARDWARE KIT 201-(202)-1</b>	<b>HW-201-1</b>	<b>p.135</b>
5	<b>HARDWARE KIT 201-2A (8-35T)</b>	<b>HW-201-2A</b>	<b>p.135</b>
6	GREASE FITTING 5/16" DRIVE TYPE	GF-3125-DT	



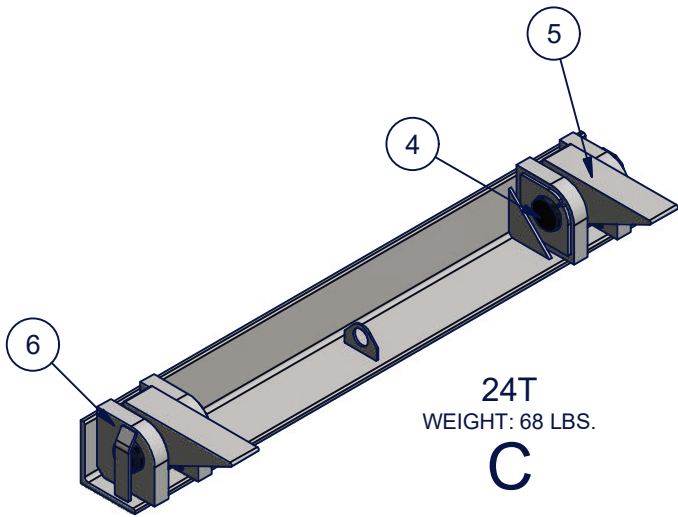
8T  
WITH LONG SILLS  
WEIGHT: 24 LBS.

**A**



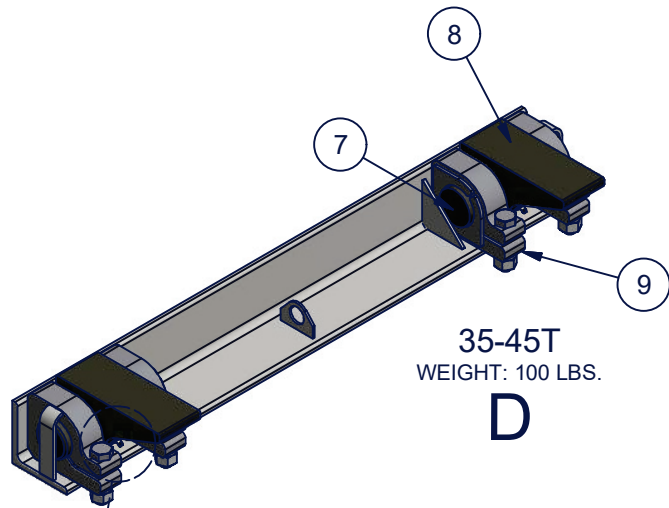
8T  
WITH C-CHANNELS  
WEIGHT: 21 LBS.

**B**



24T  
WEIGHT: 68 LBS.

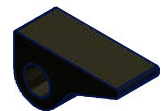
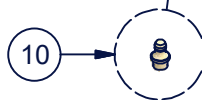
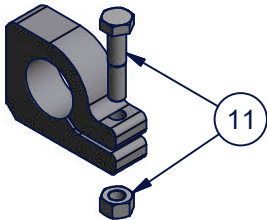
**C**



35-45T  
WEIGHT: 100 LBS.

**D**

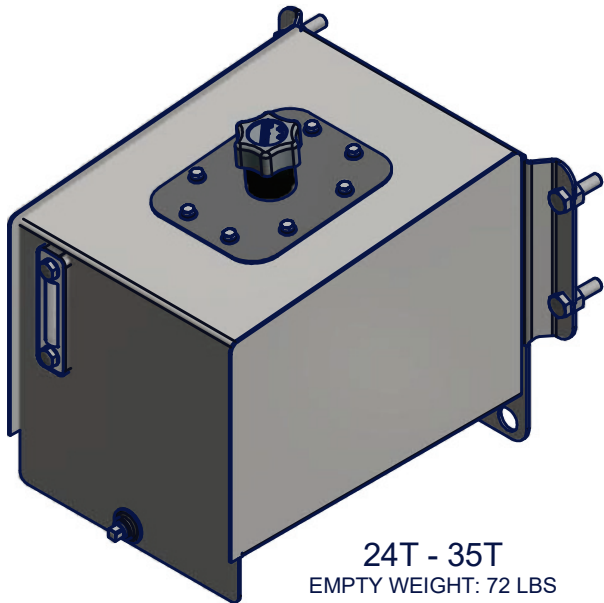
9  
COMPRISED  
OF:



ALL PINS HINGES (35T & UP)  
TEMPERED STEEL PARTS

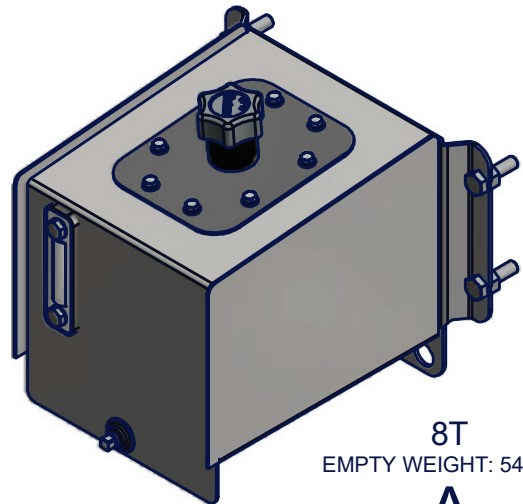
## PART # 185U - DUMP BODY HINGE KIT

ITEM	DESCRIPTION	# BEAU-ROC	
<b>A</b>	<b>DUMP BODY HINGE KIT 8T</b>	<b>185-06-08T</b>	
<b>B</b>	<b>DUMP BODY HINGE KIT 8T (WITH SUBFRAME)</b>	<b>185U-06-08T</b>	
<i>COMMON PARTS A &amp; B</i>			
1	HINGE PIN 8T (1 1/4" DIA. X 3")	185-06-08-02X	
2	HINGE UPPER PIVOT 8T (1" THICK X 5 7/8")	185-06-08-04	
3	FIXED HINGE 8T (3/8" THICK X 3")	185-06-08-05	
<b>C</b>	<b>DUMP BODY HINGE KIT 24T</b>	<b>185-20-24T</b>	
4	HINGE PIN 24T (1 7/8" DIA. X 5 1/8")	185-20-24-02X	
5	HINGE UPPER PIVOT 24T (2" THICK X 7 7/8")	185-20-24-04	
6	FIXED HINGE 24T (1" THICK X 4 1/4")	185-20-24-05	
<b>D</b>	<b>DUMP BODY HINGE KIT 35-45T</b>	<b>185-35-45T</b>	
7	HINGE PIN 35-45T (2 1/4" DIA. X 7 1/8")	185-35-45-02X	
8	HINGE UPPER PIVOT 35-45T (3" THICK X 7 5/8")	185-35-45-04	
9	FIXED HINGE 35-45T WITH BOLT & NUT (1 1/2" THICK X 4")	185-35-45-05X	
11	<b>HARDWARE KIT 185-1 (35-55T)</b>	<b>HW-185-1</b>	<b>p.135</b>
<i>COMMON PARTS</i>			
10	GREASE FITTING 1/4"-28 STRAIGHT	GF-25-28-S	



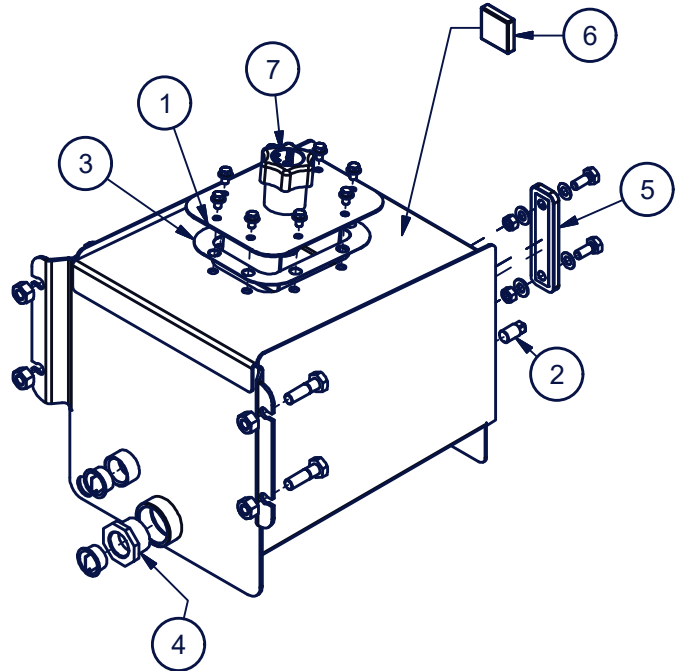
24T - 35T  
EMPTY WEIGHT: 72 LBS

**B**

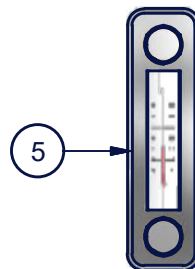
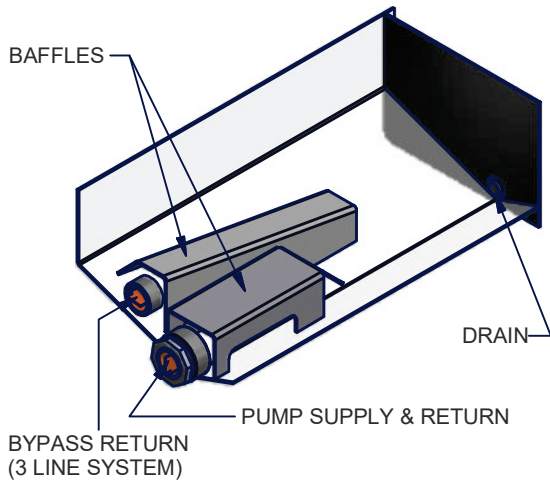


8T  
EMPTY WEIGHT: 54 LBS.

**A**

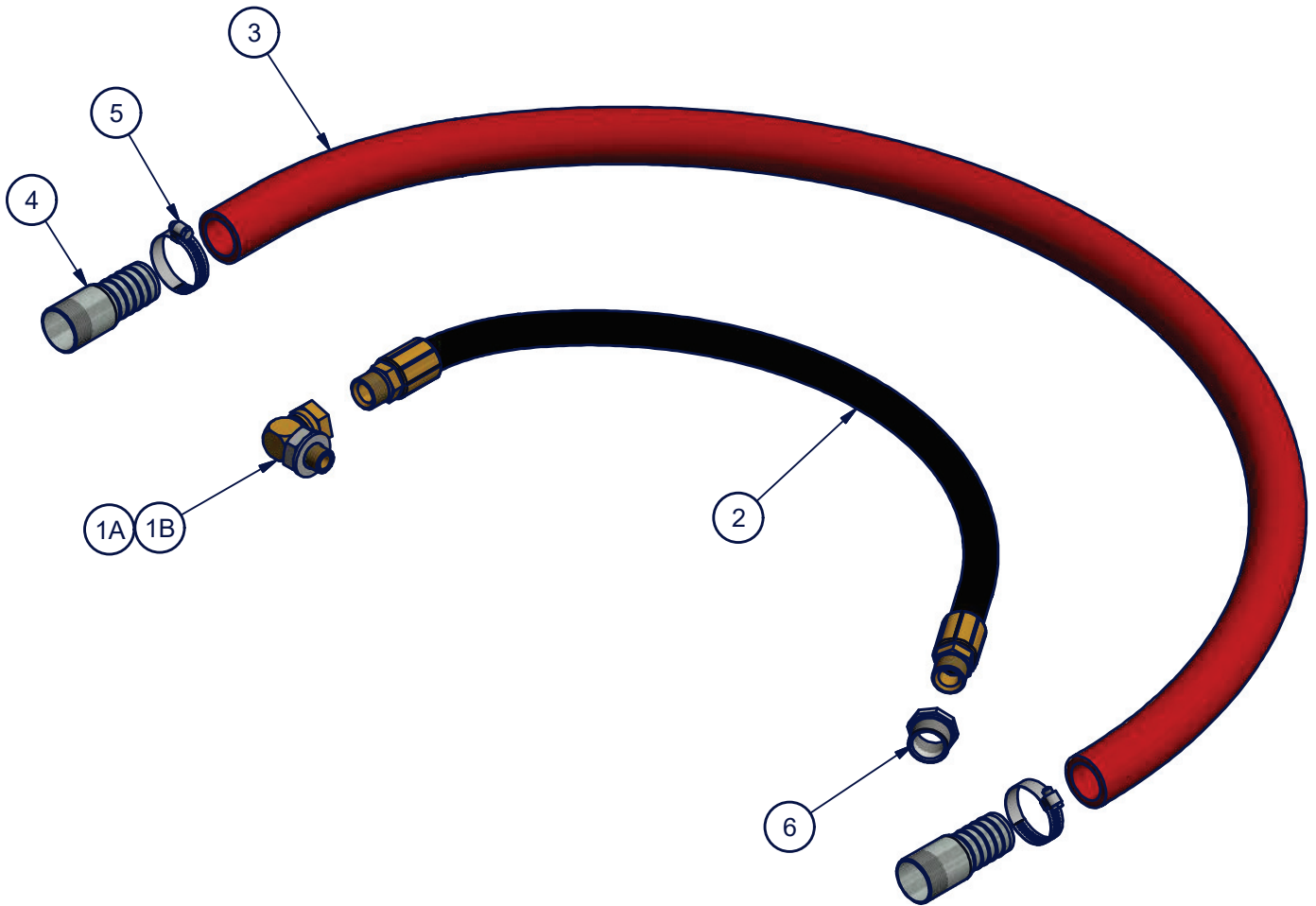


**BAFFLES CONFIGURATION**



## PART # 230A-U - OIL TANK KIT

ITEM	DESCRIPTION	# BEAU-ROC	
<b>A</b>	<b>OIL TANK KIT 8T</b>	<b>230A-8T</b>	
	<b>25 LITRES: 6.6 US GALLONS: 5.5 CAN GALLONS</b>		
	DIMENSIONS: 16 1/2"L X 12 3/4"W X 13"H		
<b>B</b>	<b>OIL TANK KIT 24-35T</b>	<b>230A-24-35T</b>	
	<b>46 LITRES: 12.3 US GALLONS: 10.3 CAN GALLONS</b>		
	DIMENSIONS: 20 1/2"L X 14 3/4"W X 15 3/8"H		
	<b>COMMON PARTS</b>		
1	ANTI-SPLASH COVER	230A-01X	
2	1/2" NPT DRAIN PLUG	230-03	
3	ANTI-SPLASH CORK GASKET	230A-01-05	
4	REDUCER (2" TO 1 1/4")	900-08-45-05	
5	SIGHT & TEMPERATURE GAUGE	230-65	
6	MAGNET	M1X1-025	
7	STEEL TANK CAP ASSEMBLY WITH FILTER ( <b>NEW</b> )	230A-04	
-	<b>HARDWARE KIT 230A</b>	<b>HW-230A-1</b>	<b>p.135</b>
	<b>DISCONTINUED PARTS</b>		
8	TANK COVER CAP WITH FILTER ( <b>OLD</b> )	230-02	



**A: 8T KIT**      WEIGHT: 9.5 LBS.

**B: 24 - 35T KIT**      WEIGHT: 9.5 LBS.

# PART # 900U - HYDRAULIC CONNECTION KIT

ITEM	DESCRIPTION	# BEAU-ROC	
<b>A</b>	<b>HYDRAULIC CONNECTION KIT 8T</b>	<b>900-06-08T</b>	
1A	7/8" O-RING 3/4" SWIVEL 90 DEGREE ELBOW MALE 8T	900-06-08-03	
<b>B</b>	<b>HYDRAULIC CONNECTION KIT 24-35T</b>	<b>900-20-35T</b>	
1B	1-1/16" O-RING 3/4" SWIVEL 90 DEGREE ELBOW MALE 24-35T	900-24-35-03	
<b>COMMON PARTS</b>			
2	PRESSURE HOSE 8-35T ( <i>3/4" DIA. X 64" LONG</i> )	900-08-35-04	
3	SUCTION HOSE 8-55T ( <i>1 1/4" DIA. X 120" LONG</i> )	900-08-45-08	
4	MALE ADAPTER 8-55T ( <i>1 1/4" DIA.</i> )	1000-300M	
5	COLLAR 8-55T ( <i>2" DIA.</i> )	2000-C	
6	ADAPTER 8-35T ( <i>1" TO 1 1/4"</i> )	900-08-35-05	

**WARNING**  
 Failure to follow the recommended operating procedures may result in serious property damage or personal injury or death.

(1) Ensure that all mounting blocks and bolts are installed in the bottom section, and are secure.  
 (2) Ensure that all mounting blocks and bolts are installed in the track section, and are secure.  
 (3) Ensure that the drum nut is the top of each shoe as tight as needed.  
 (4) Ensure that all hoses and fittings are in good condition and are secured out of anyone's way.  
 (5) Inspect for leaks of engine wear.  
 (6) Check valve/pressure points, flow limits, and correct installation of the cylinder.

**ATTENTION**  
 NECESSAIRE  
 Ne pas suivre ces recommandations de fonctionnement peut entraîner de graves dommages matériels ou blessures graves.

(1) Vérifier que les blocs d'ancrage et les boulons sont correctement fixés à la base et bien serrés.  
 (2) Vérifier que les blocs d'ancrage et les boulons sont correctement fixés à la section de la piste et bien serrés.  
 (3) Vérifier que les écrous à tambour sont serrés au maximum de la tête de chaque sabot.  
 (4) Vérifier que tous les tuyaux et raccords sont en bon état et bien fixés.  
 (5) Inspecter les points de fuite de l'huile et les fuites de l'huile.  
 (6) Vérifier les points de pression, les limites de débit et les points de pression corrects.

FOR ADDITIONAL INFO:  
[www.mailhot.com](http://www.mailhot.com)

INFORMATION:  
[www.mailhot.com](http://www.mailhot.com)

**AVERTISSEMENT**

Ce produit N'EST PAS un SUPPORT STRUCTUREL. Il est conçu pour porter les mouvements latéraux ou donner plus de stabilité au véhicule.

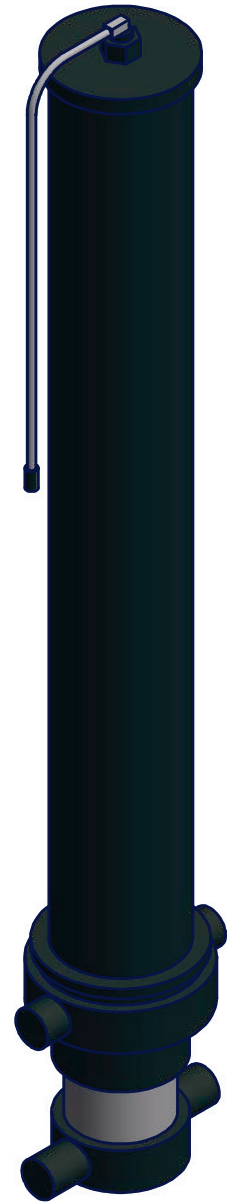
On dirait et autres les procédures d'opération ne sont pas à suivre sans les recommandations de l'opérateur.

- Prenez toujours l'équipement 2000 PSI.
- Utilisez toujours des lubrifiants ("huile") à haute viscosité.
- NE PAS utiliser de supports structurels à simple effet seulement.
- NE PAS utiliser de supports structurels à double effet.
- TUYAUX: Vérifier les raccords et les fuites.
- Vérifier les points de pression et les limites de débit.
- NE PAS évaluer des mouvements latéraux à l'aide de ce produit.
- NE PAS évaluer des mouvements latéraux à l'aide de ce produit.
- NE PAS évaluer des mouvements latéraux à l'aide de ce produit.
- NE PAS évaluer des mouvements latéraux à l'aide de ce produit.

**ATTENTION**



"G3" SERIES



"G3" & "M" SERIES  
 DOUBLE ACTING



PART:  
**500U - 501U**  
**502U**

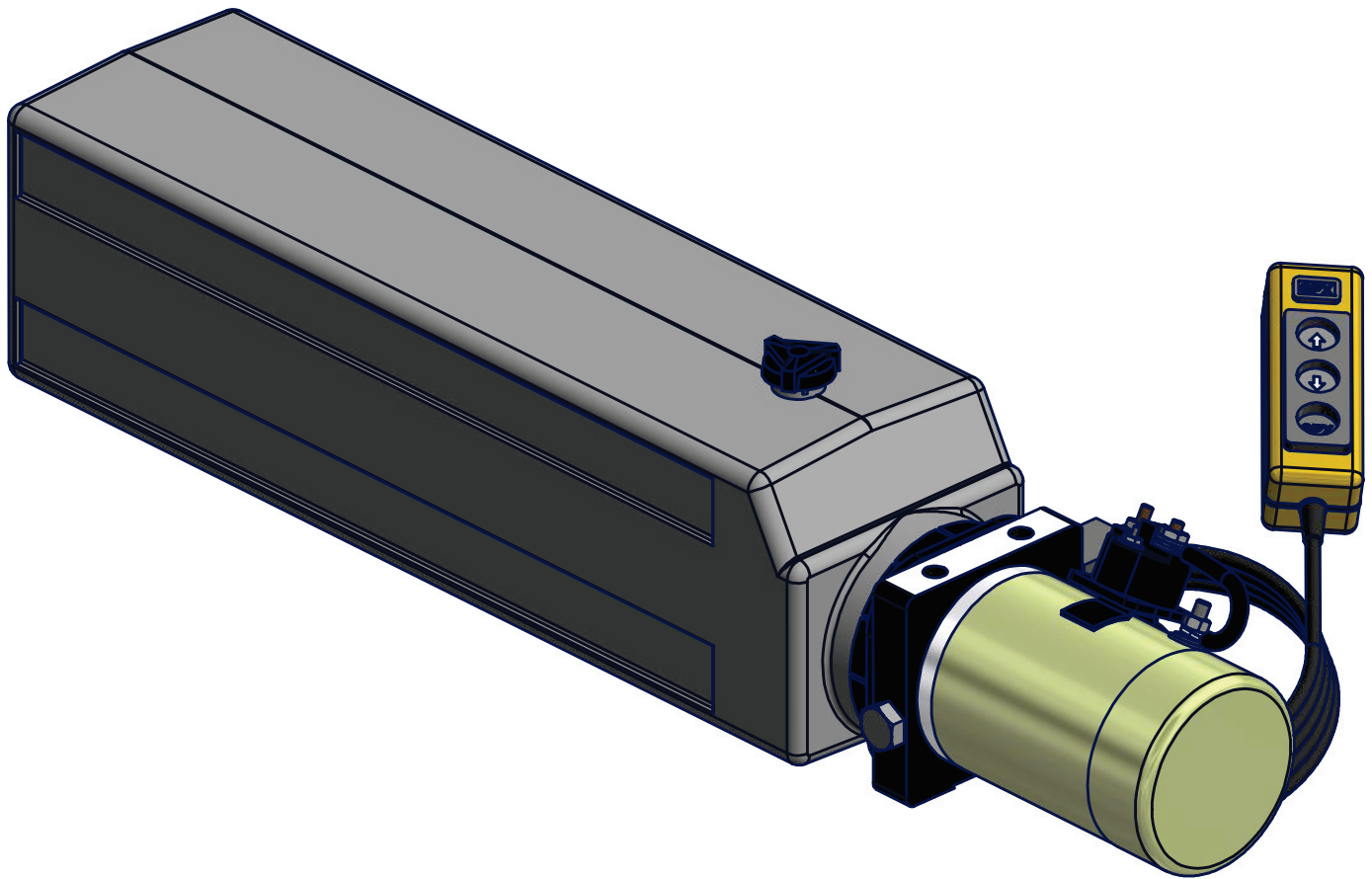
TITLE:  
**MAILHOT TELESCOPIC  
 CYLINDERS**

## PART # 500U-501U-502U - MAILHOT TELESCOPIC CYLINDERS

TON	DESCRIPTION	# BEAU-ROC	WEIGHT	OIL CAPACITY
<b>500U - M SERIES -POWER UP -GRAVITY DOWN BORE SEAL</b>				
8T	"M" SERIES CYLINDER	M80-3.5-3	134 lbs	2.0 USG
		M90-3.5-3	154 lbs	2.4 USG
		M100-3.5-3	152 lbs	2.5 USG
		M110-3.5-3	173 lbs	2.8 USG
		M120-3.5-3	170 lbs	2.9 USG
24T	"M" SERIES CYLINDER	M120-4.5-3	257 lbs	5.8 USG
		M135-4.5-3	303 lbs	6.2 USG
		M150-4.5-3	333 lbs	6.5 USG
35T	"G3" SERIES CYLINDER	G3-110-5-3	333 lbs	8.3 USG
		G3-120-5-3	334 lbs	8.7 USG
		G3-130-5-3	335 lbs	9.1 USG
		G3-140-5-3	353 lbs	9.8 USG
<b>501U - "M" SERIES DOUBLE ACTING (ON ALL STAGES)</b>				
8T	"M" SERIES CYLINDER	M80-3.5-3DA	145 lbs	2.2 USG
8T	"M" SERIES CYLINDER	M90-3.5-3DA	145 lbs	2.2 USG
<b>502U - CS SERIES DOUBLE ACTING (ON ALL STAGES)</b>				
35T	"CS" SERIES CYLINDER	CS110-5.5-3DA	360 lbs	9.3 USG
		CS120-5.5-3DA	360 lbs	9.7 USG
		CS130-5.5-3DA	360 lbs	10 USG
		CS140-5.5-3DA	365 lbs	11 USG

**PARTS AND ACCESSORIES**

**FEBRUARY 2018**



3000 PSI MAX.  
WEIGHT: 38 LBS

A

**BEAU-ROC**  
INC.  
FEBRUARY 2018

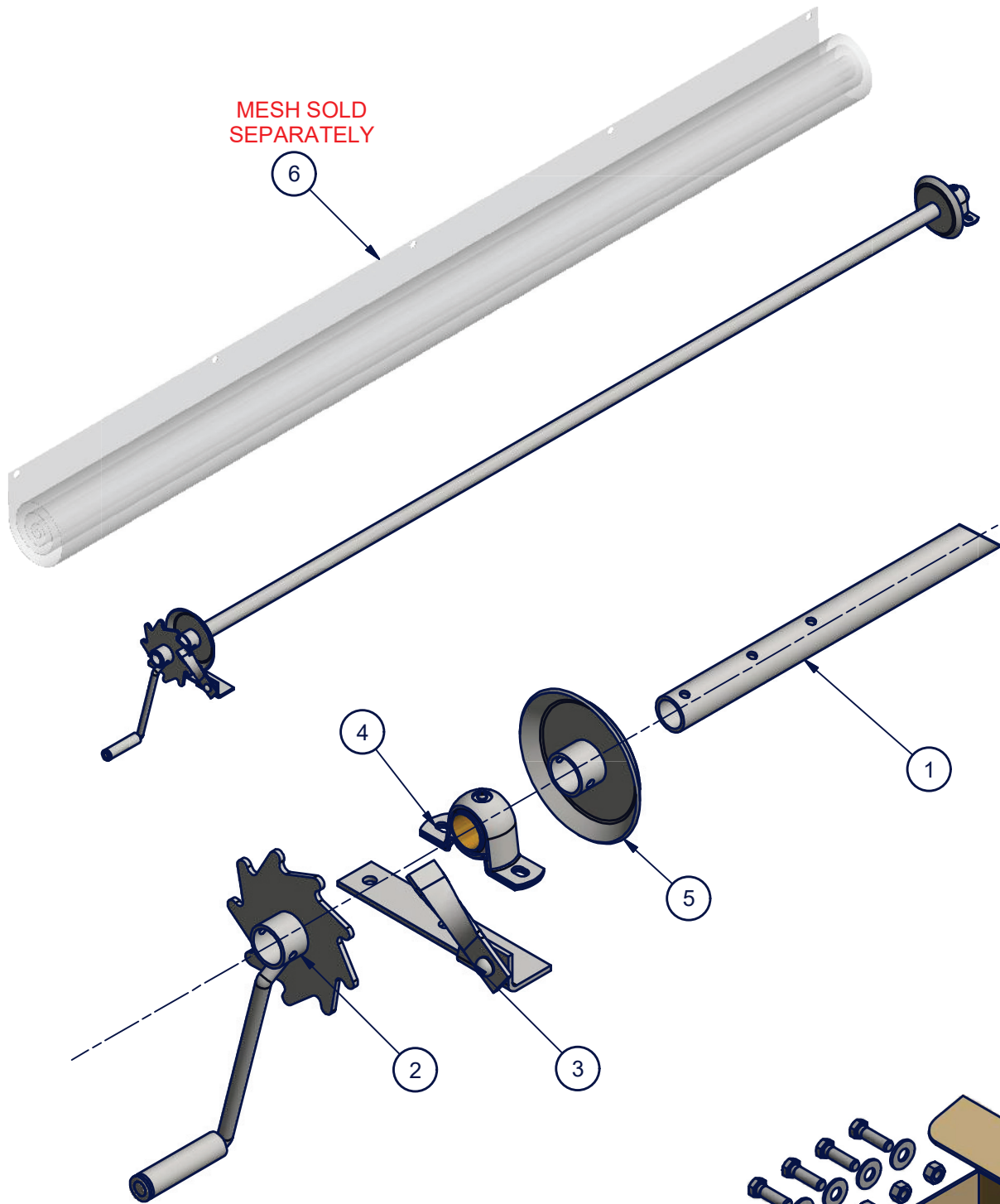
PART:  
**300A**

TITLE: **SINGLE ACTING (TWO STAGE)  
ELECTRIC HYDRAULIC POWER PACK  
(TELESCOPIC HOIST)**

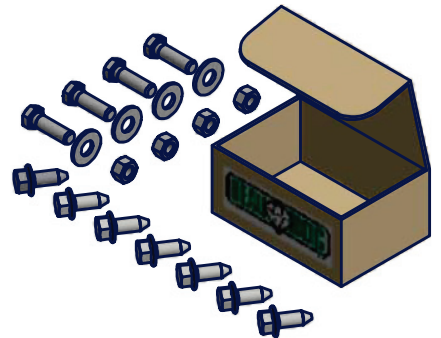
DRAWING REVISED: 18/04/2007



MESH SOLD SEPARATELY



TOTAL WEIGHT:  
12 LBS



PART:

**151U**

TITLE:

**MANUAL TARP ROLLER KIT**

# PART # 151U - MANUAL TARP ROLLER KIT WITH MESH

ITEM	DESCRIPTION	# BEAUROC	
	<b>MANUAL TARP ROLLER KIT <i>(WITHOUT MESH)</i></b>	<b>151-096-AL</b>	
1	TARP ROLLER TUBE	150-02-096-AL	
2	TARP ROLLER HANDLE	150-11X	
3	TARP ROLLER LOCK	150-12X	
4	ROLLER BUSHING UNIT <i>(EACH)</i>	150-002	
5	ALUMINUM TARP ROLLER DISC <i>(EACH)</i>	150-10-1X	
-	<b>HARDWARE KIT 151</b>	<b>HW-151-1</b>	<b>p.317</b>

6		<b>MESH</b>	
1.	ITEM	DESCRIPTION	
	<b>137-14</b>	Mesh	
2.	<b>WIDTH</b>	<b>+</b>	
	<b>84</b>	96" body width <i>(standard)</i>	
3.	<b>REF. LENGTH</b>	<b>+</b>	
	<b>12</b>	Up to 12' length	
	<b>16</b>	From 12' to 16' length	
	<b>19</b>	From 16' to 19' length	
4.	<b>MESH</b>	<b>+</b>	
	<b>T</b>	Standard mesh <i>(all sizes)</i>	

**EXAMPLE:**

CODE	
<b>137-14</b>	
-	
<b>84</b>	
-	
<b>16</b>	
<b>T</b>	
<b>137-14-84-16T</b>	

**MY CODE:**

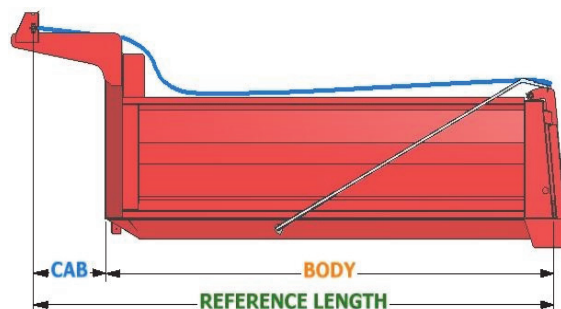
CODE	
-	
-	
-	

**CODE:** **137-14-84-16T**

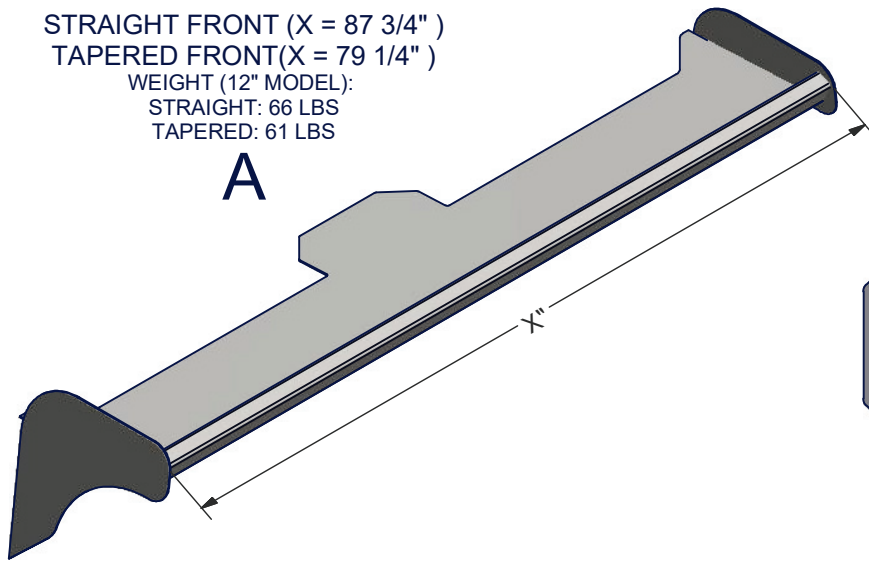
**NOTE:** For complete table, see p.310

**REFERENCE LENGTH = CAB + BODY**

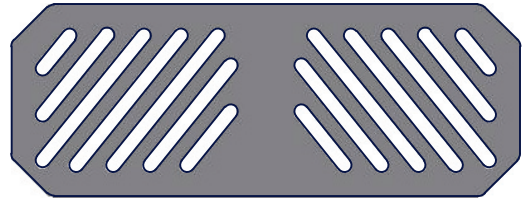
Note: add front to side height difference if needed



STRAIGHT FRONT (X = 87 3/4" )  
 TAPERED FRONT (X = 79 1/4" )  
 WEIGHT (12" MODEL):  
 STRAIGHT: 66 LBS  
 TAPERED: 61 LBS

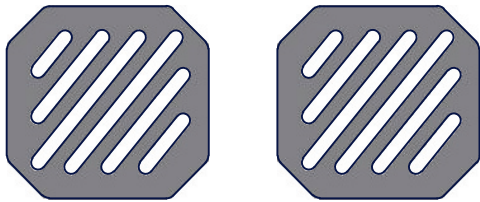


**A**



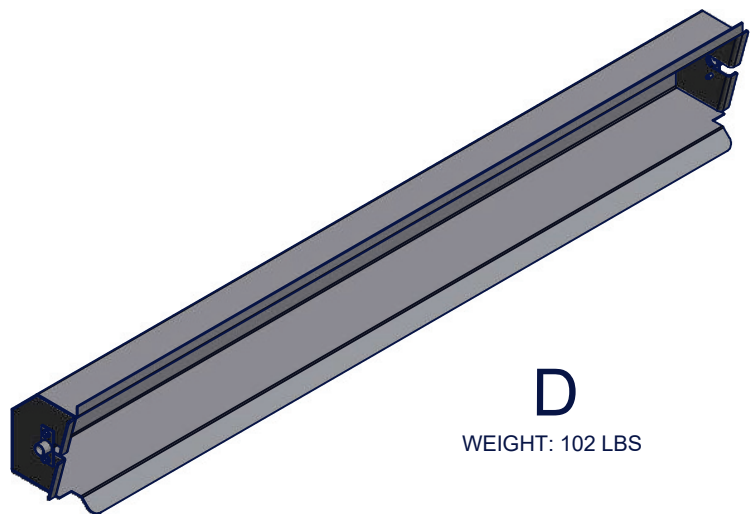
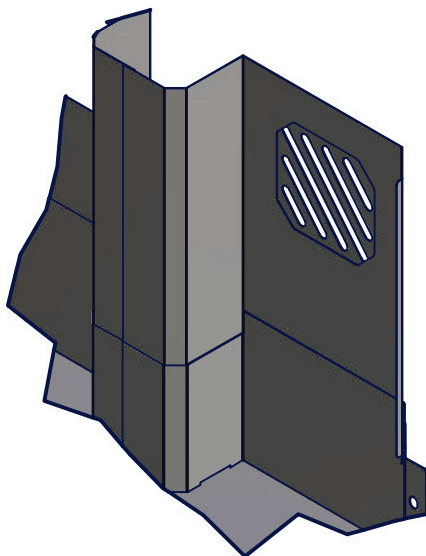
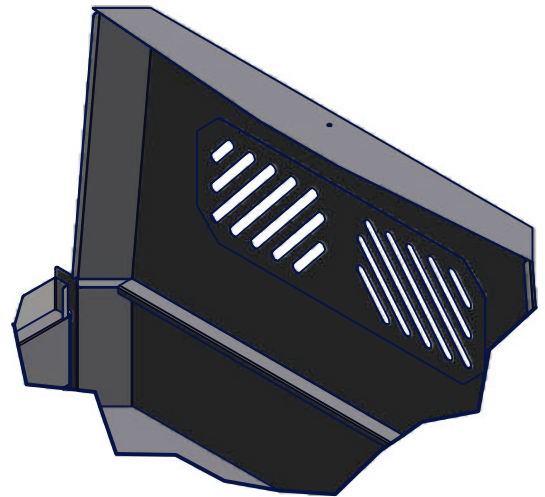
FLAT FRONT  
 WINDOW INSERTS  
 WEIGHT : 25 LBS

**B**



STANDARD FRONT  
 WINDOW INSERTS  
 WEIGHT : 9.3 LBS EA.

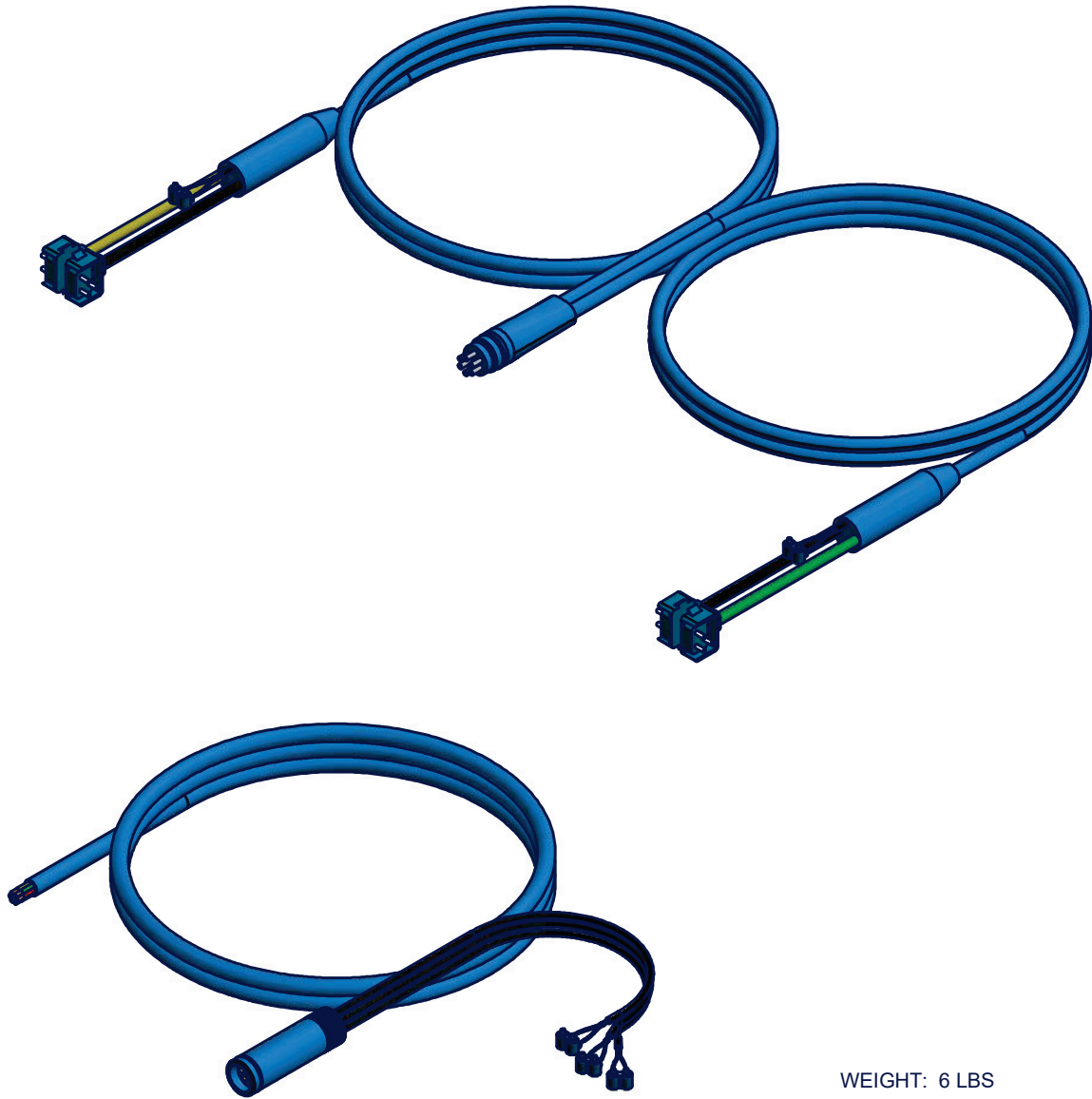
**C**



**D**

WEIGHT: 102 LBS





WEIGHT: 6 LBS

**A**



FEBRUARY 2018

PART:

**911U**

TITLE:

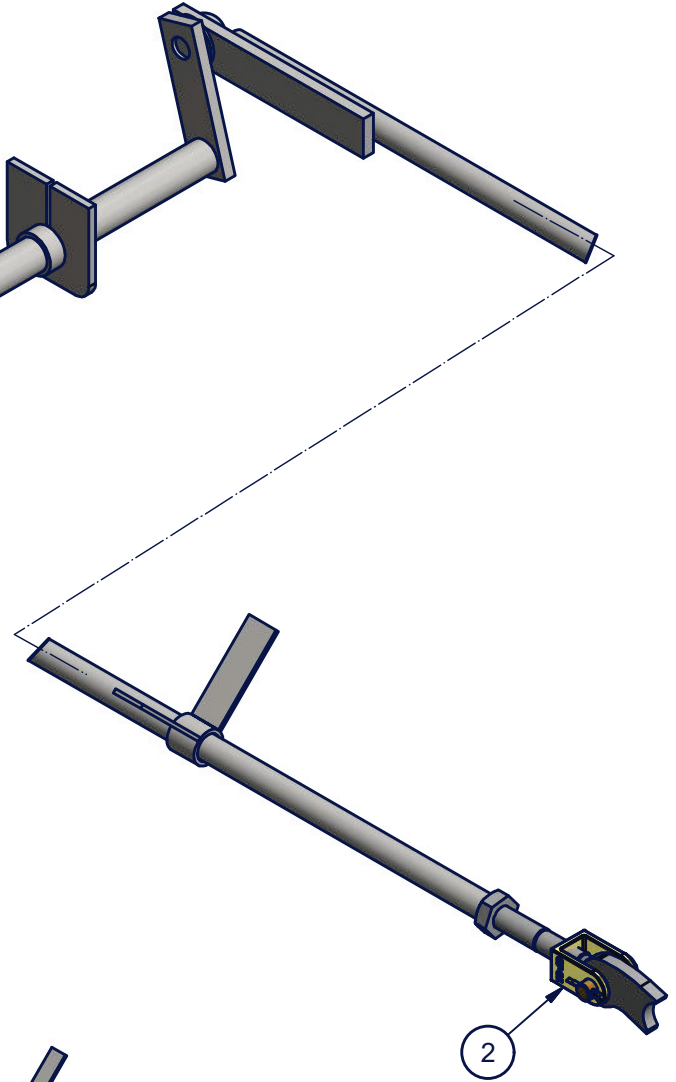
**WIRING HARNESS KIT**





COMPLETE KIT  
WEIGHT: 22 LBS

**A**



KIT WITHOUT ROD  
WEIGHT: 15 LBS

**B**



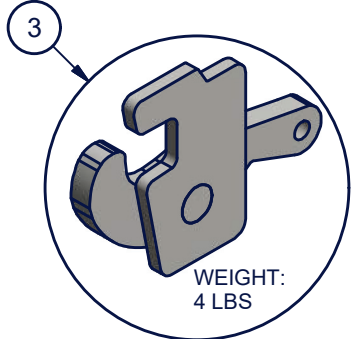
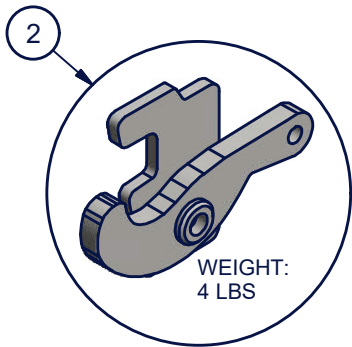
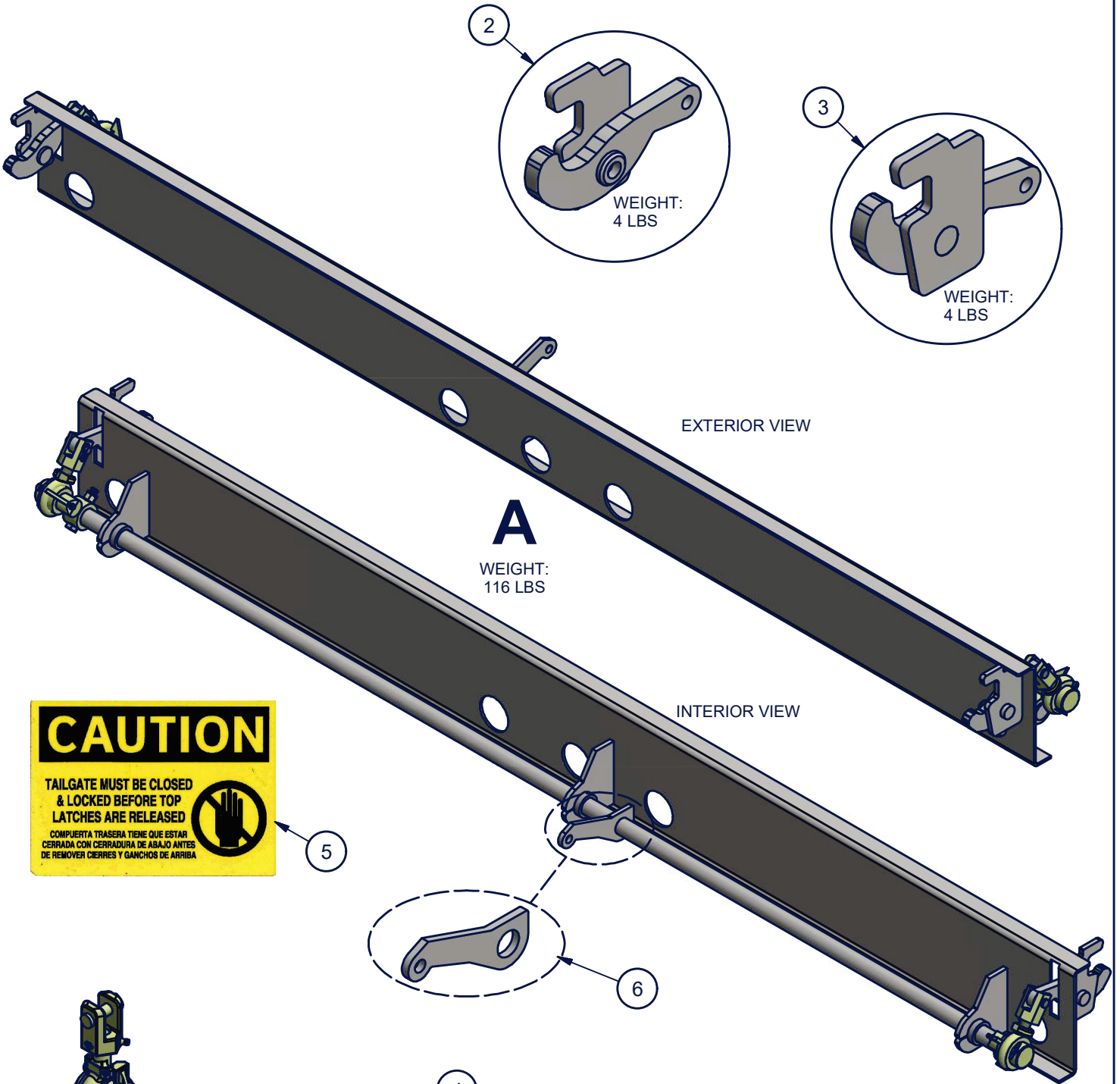
PART:

**810U**

TITLE:

**MANUAL OPENING  
TAILGATE KIT**





EXTERIOR VIEW

**A**  
WEIGHT:  
116 LBS

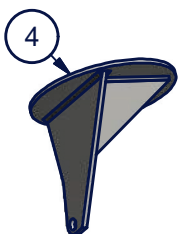
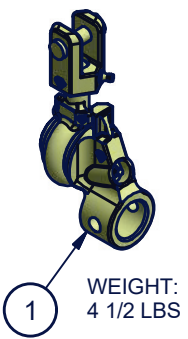
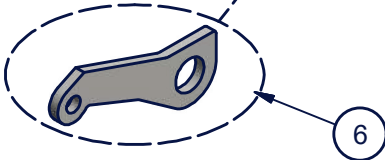
INTERIOR VIEW

**CAUTION**

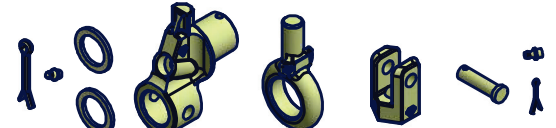
TAILGATE MUST BE CLOSED & LOCKED BEFORE TOP LATCHES ARE RELEASED

COMPUERTA TRASERA TIENE QUE ESTAR CERRADA CON CERRADURA DE ABAJO ANTES DE REMOVER CIERRES Y GANCHOS DE ARRIBA

5



**NOT INCLUDED WITH KIT**  
WEIGHT: 4 LBS

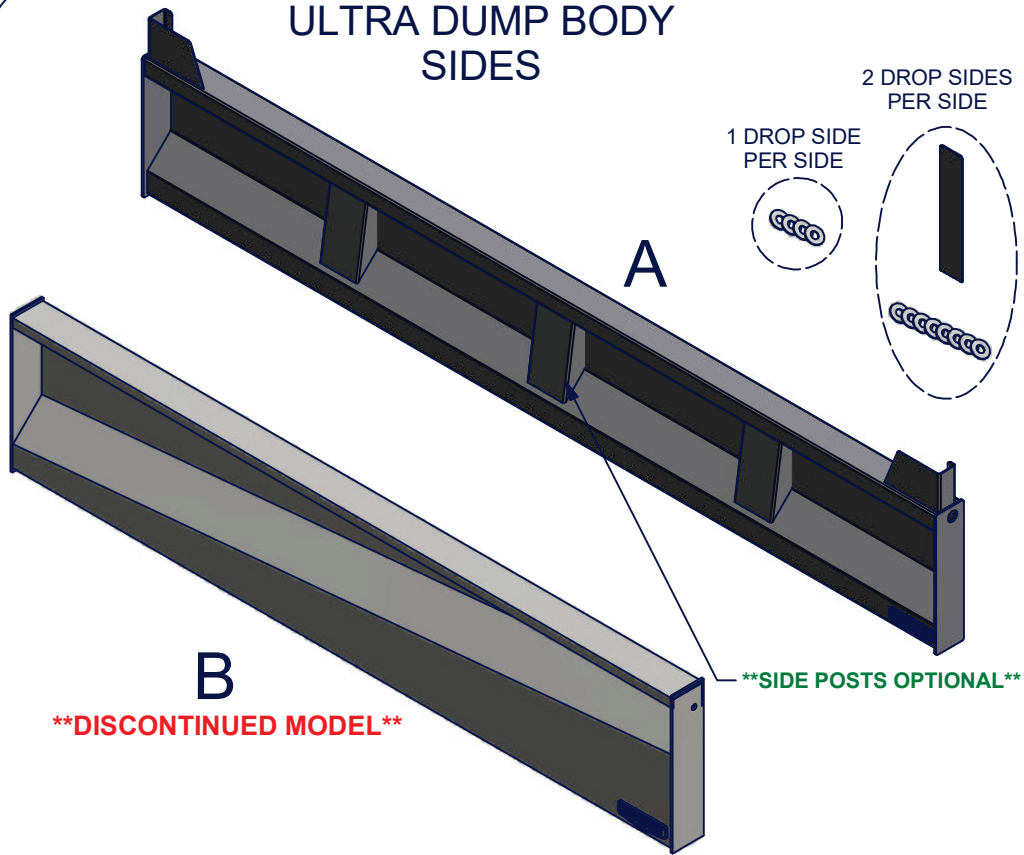


ZINC CHROMATED PARTS

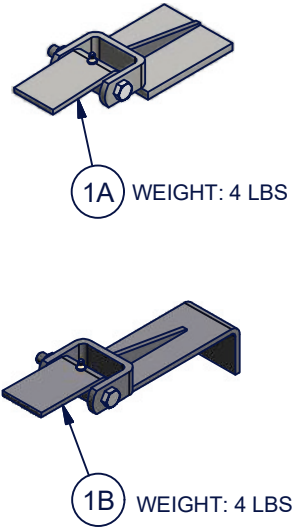
<p>FEBRUARY 2018</p>	<p>PART: <b>708U</b></p>	<p>TITLE: <b>DOUBLE ACTING TAILGATE LATCH BOLSTER KIT</b></p>
----------------------	------------------------------	---



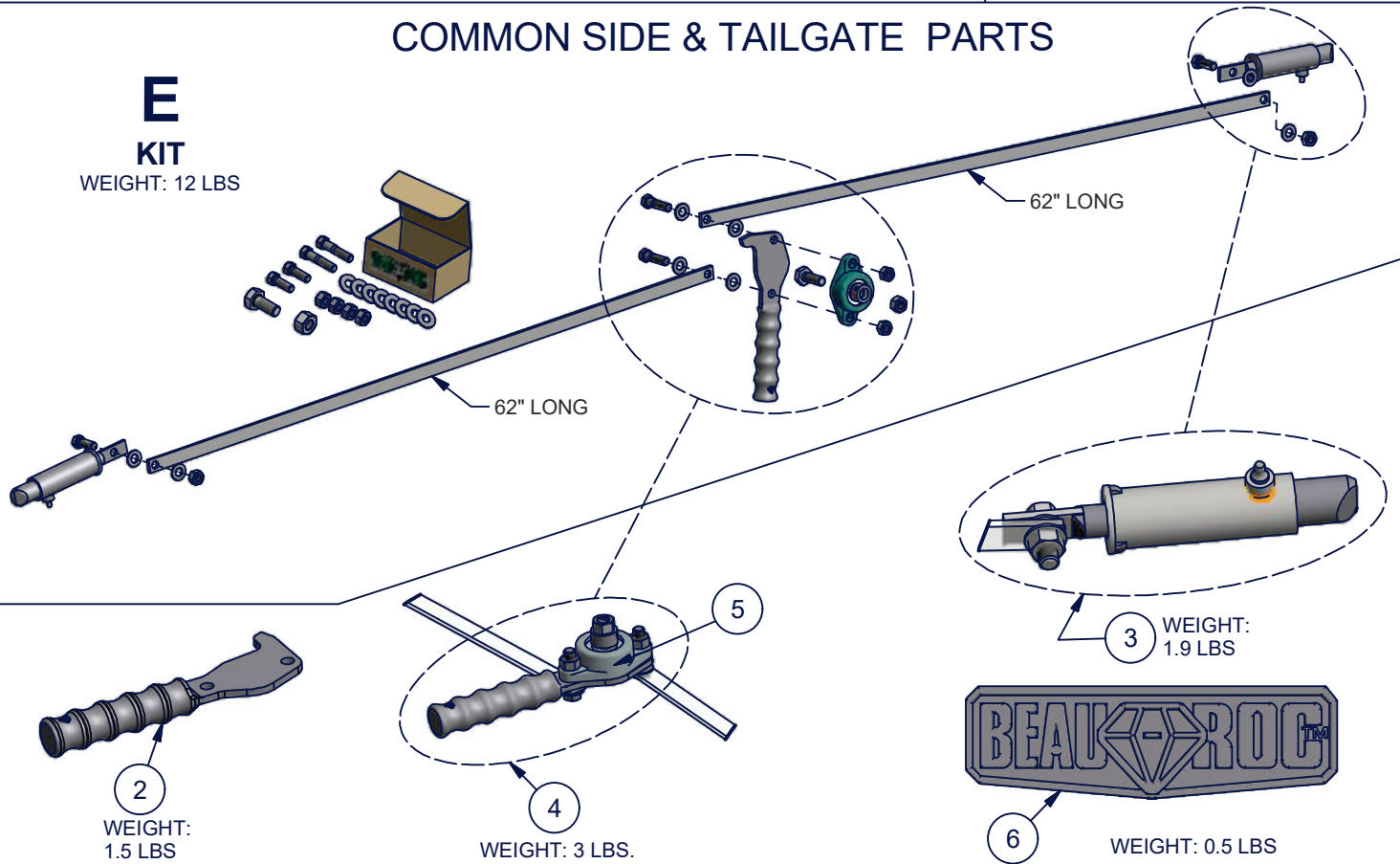
# ULTRA DUMP BODY SIDES



# SIDE ACCESSORIES



# COMMON SIDE & TAILGATE PARTS



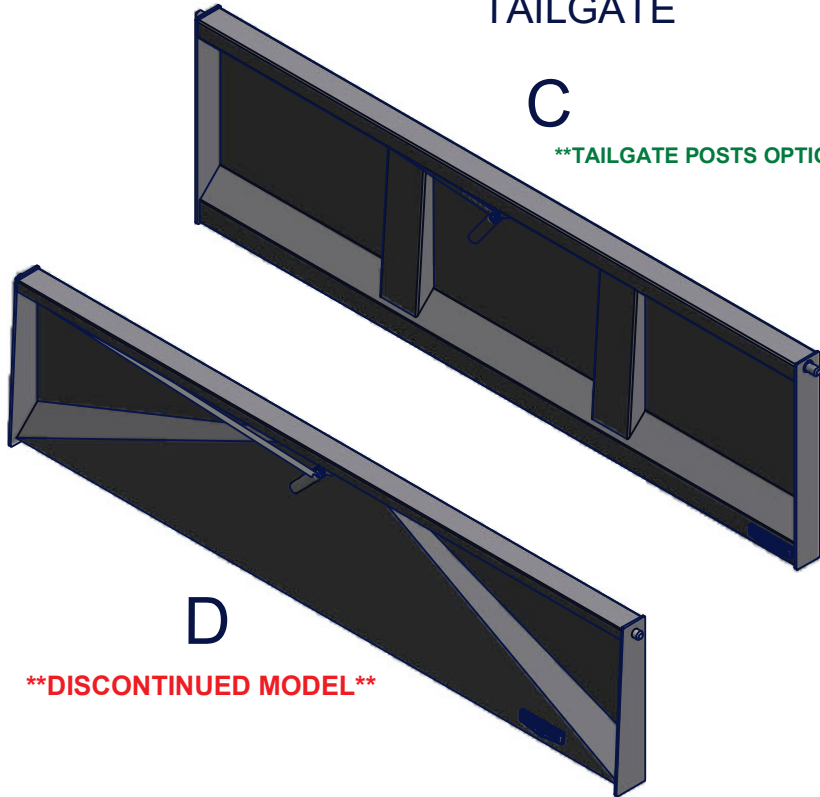
PART:  
**800U-S**

TITLE:  
**ULTRA REPLACEMENT SIDES & SIDE ACCESSORIES**

## PART # 800U-S - ULTRA REPLACEMENT SIDES & ACCESSORIES

ITEM	DESCRIPTION	# BEAU-ROC	
<b>A</b>	<b>ULTRA SIDES</b> (*QUICK RELEASE MECHANISM OPTIONAL*)		
	12" SIDE	<b>800U-S12</b>	
	15" SIDE	<b>800U-S15</b>	
	18" SIDE	<b>800U-S18</b>	
	<i>Note: standard side with posts, inform us if you want them removed.</i>		
<b>B</b>	<b>TJ SIDES</b> (*QUICK RELEASE MECHANISM OPTIONAL*)		
	12" SIDE	<b>800-TJ-12</b>	
	15" SIDE	<b>800-TJ-15</b>	
	18" SIDE	<b>800-TJ-18</b>	
	<b>*OPTIONAL QUICK RELEASE MECHANISM</b>	800U-S15- <b>DI</b>	
	<i>Note: add "-DI" at the end of the side code.</i>		
	<b>SIDE ACCESSORIES</b>		
1A	DROP SIDE HINGE (3" X 4" TUBING) (EACH)	800U-01-1X	
1B	DROP SIDE HINGE (1" X 2" TUBING) (EACH)	800U-01-2X	
	<b>COMMON PARTS</b>		
<b>E</b>	<b>QUICK RELEASE MECHANISM KIT</b>	<b>800U-3X</b>	
2	QUICK RELEASE HANDLE - MOLDED	800U-07	
3	QUICK RELEASE LOCKING PIN ASSEMBLY	800U-4X	
4	QUICK RELEASE HANDLE ASSEMBLY - MOLDED	800U-5X	
5	FLANGED MOUNTED BEARING	800U-06	
6	DUMP BODY LOGO (1 3/4" X 6 3/8")	910-01-08	
	<b>HARDWARE KIT 800U</b>	<b>HW-800U-1</b>	
	HEX BOLT 7/16-14 UNC X 2 GRADE 5 (QTY=2)		
	HEX BOLT 7/16-14 UNC X 1 1/4 GRADE 5 (QTY=2)		
	HEX BOLT 5/8-11 UNC X 1 1/2 GRADE 5 (QTY=1)		
	HEX NUT 7/16-14 UNC (QTY=4)		
	HEX NUT 5/8-11 UNC (QTY=1)		
	UNHARDENED FLAT WASHER 7/16 USS (QTY=8)		

# ULTRA DUMP BODY TAILGATE



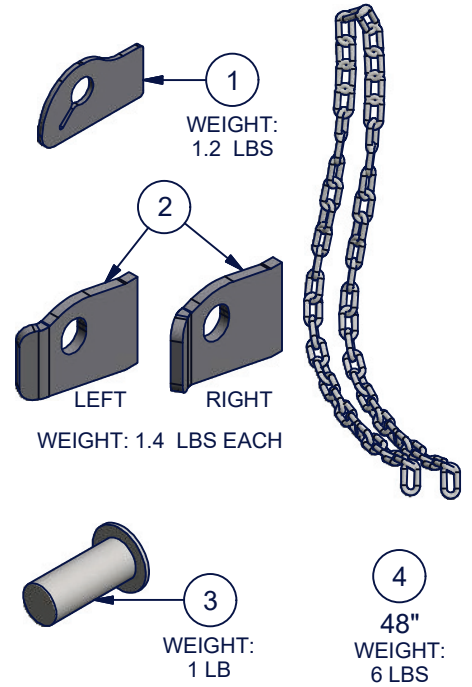
**C**

\*\*TAILGATE POSTS OPTIONAL\*\*

**D**

\*\*DISCONTINUED MODEL\*\*

# TAILGATE ACCESSORIES



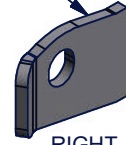
1

WEIGHT:  
1.2 LBS

2



LEFT



RIGHT

WEIGHT: 1.4 LBS EACH

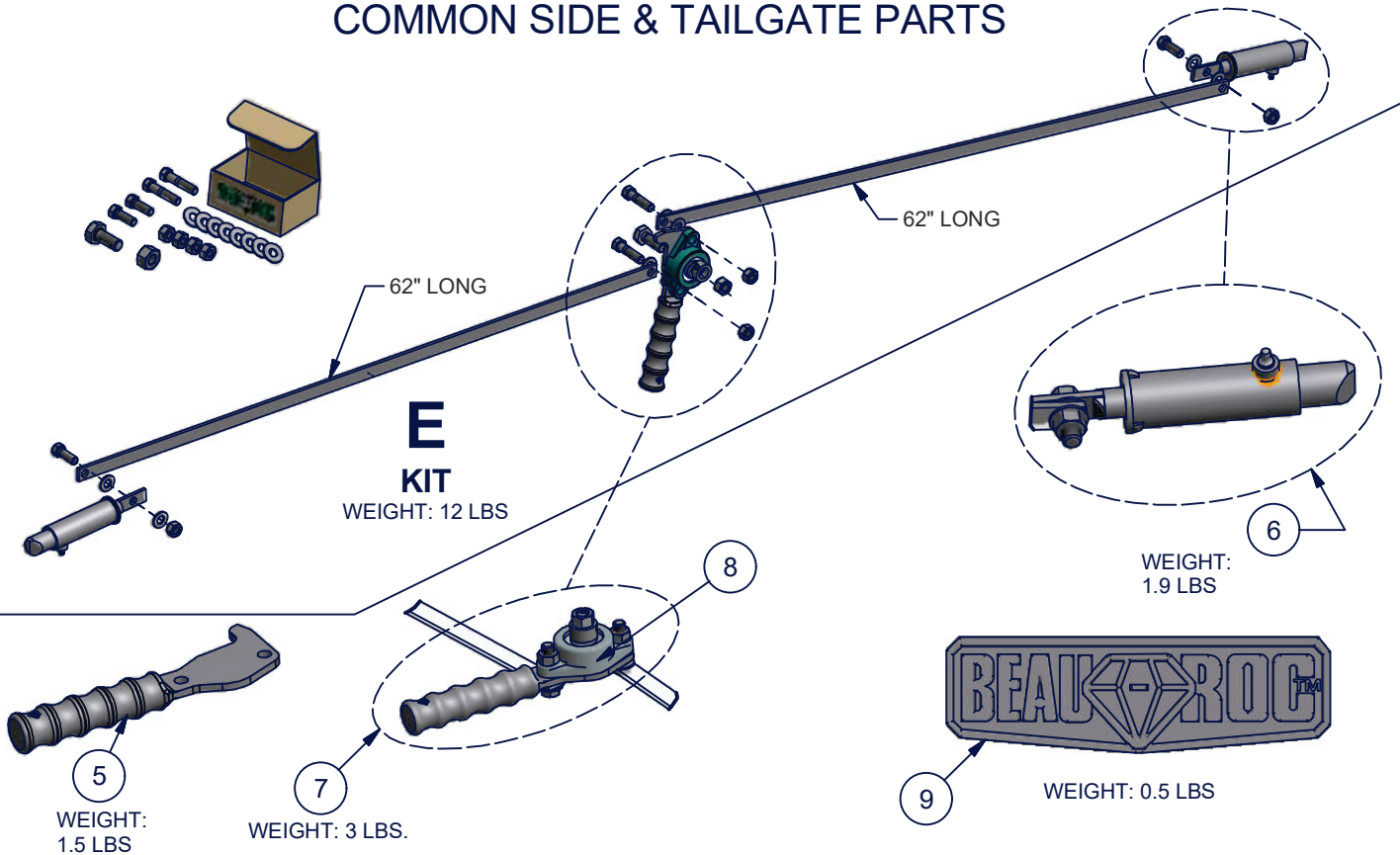
3

WEIGHT:  
1 LB

4

48"  
WEIGHT:  
6 LBS

# COMMON SIDE & TAILGATE PARTS



62" LONG

**E**

**KIT**

WEIGHT: 12 LBS

62" LONG

6

WEIGHT:  
1.9 LBS

5

WEIGHT:  
1.5 LBS

7

WEIGHT: 3 LBS.

8

9

WEIGHT: 0.5 LBS

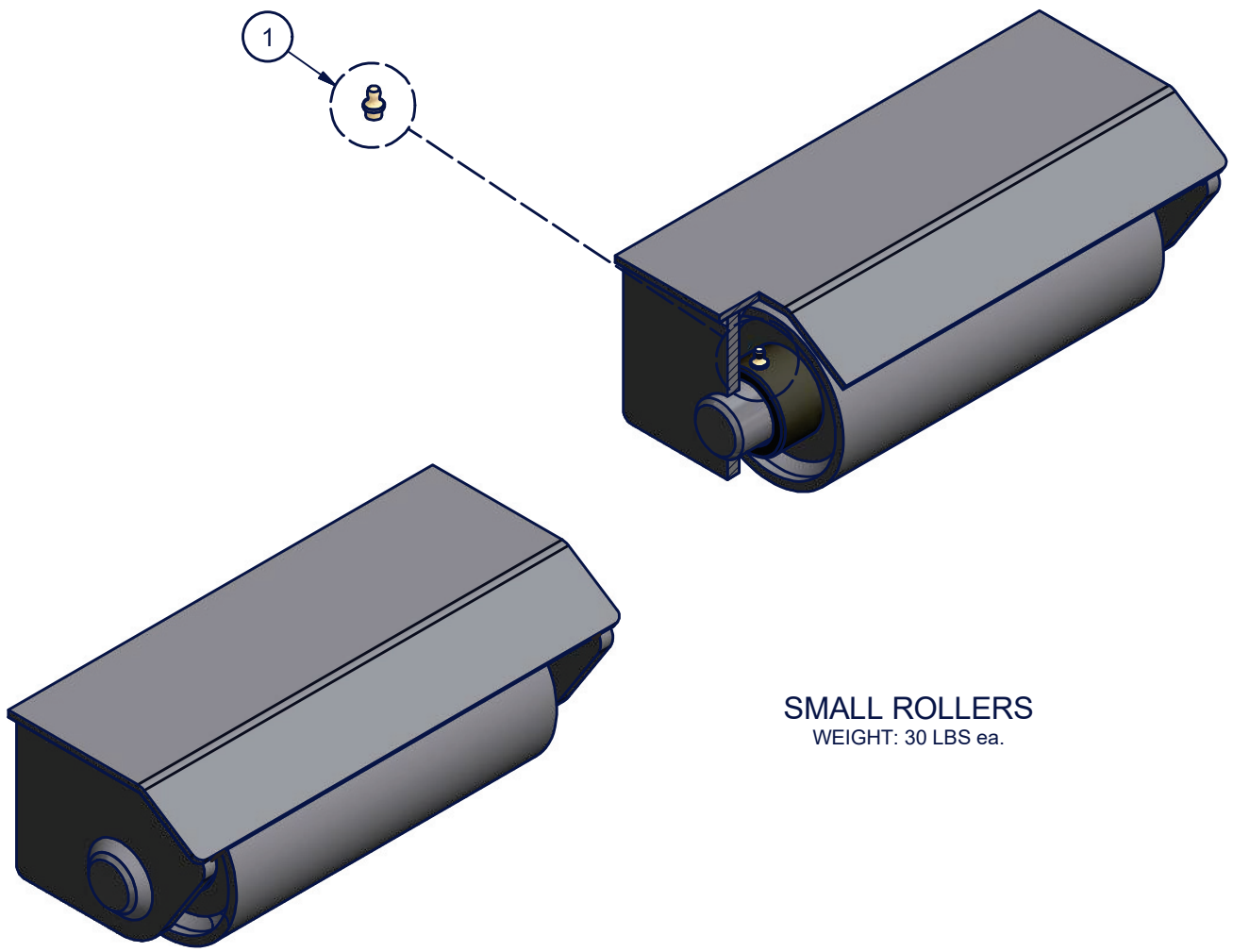


PART:  
**800U-T**

TITLE:  
**ULTRA DUMP BODY DOUBLE ACTING  
TAILGATE & TAILGATE ACCESSORIES**

## PART # 800U-T - ULTRA DOUBLE ACTING TAILGATE & ACCESSORIES

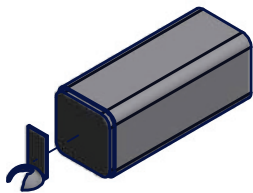
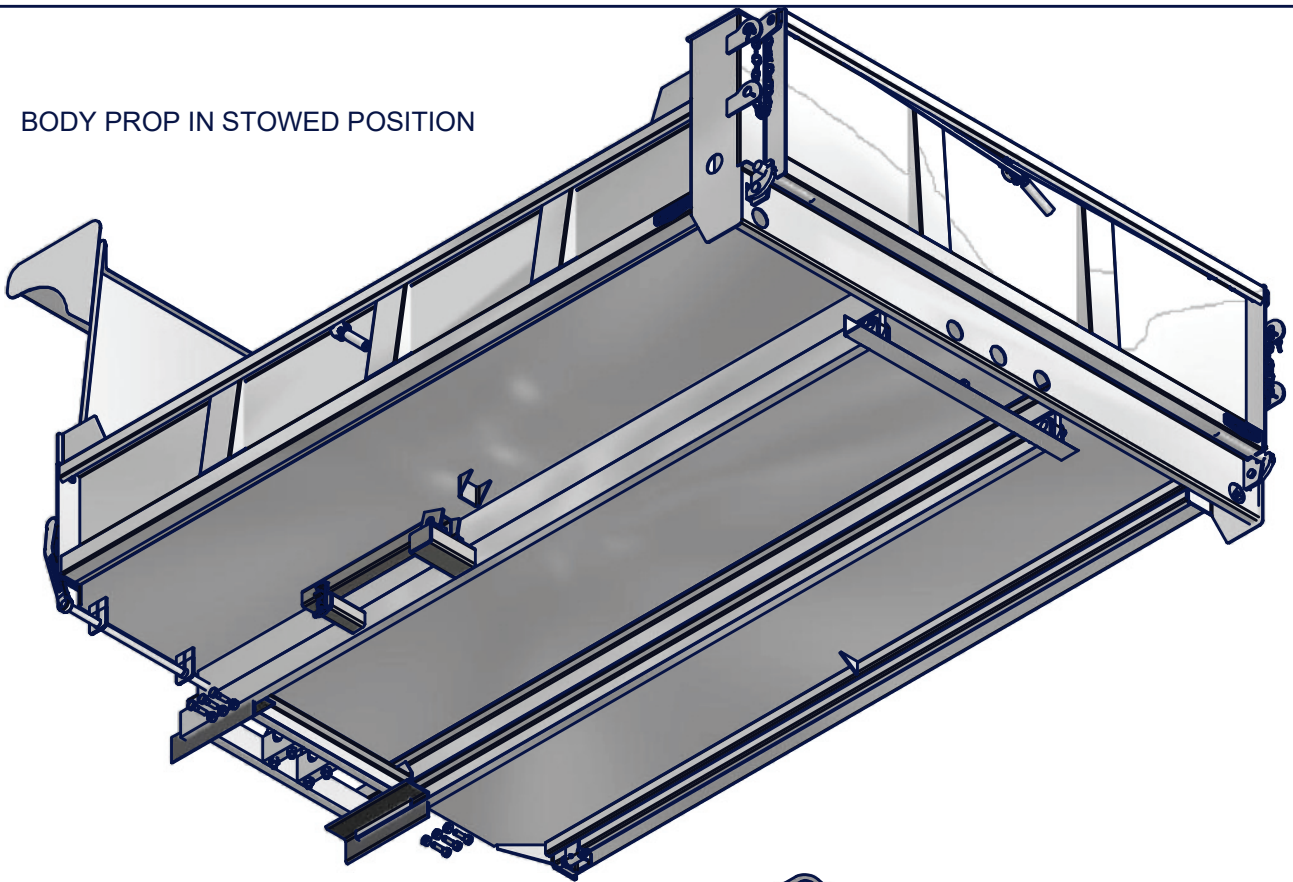
ITEM	DESCRIPTION	# BEAU-ROC	
<b>C</b>	<b>ULTRA TAILGATE</b> <i>(WITH QUICK RELEASE MECHANISM INSTALLED)</i>		
	20" TAILGATE	<b>800U-T20</b>	
	24" TAILGATE	<b>800U-T24</b>	
	28" TAILGATE	<b>800U-T28</b>	
	<i>Note: standard tailgate with posts, inform us if you want them removed.</i>		
<b>D</b>	<b>TJL TAILGATE</b> <i>(WITH QUICK RELEASE MECHANISM INSTALLED)</i>		
	20" TAILGATE	<b>800-TJ-T20</b>	
	24" TAILGATE	<b>800-TJ-T24</b>	
	28" TAILGATE	<b>800-TJ-T28</b>	
	<b>TAILGATE ACCESSORIES</b>		
1	3/8" CHAIN BANJO <i>(EACH)</i>	800U-01-A	
2	UPPER TAILGATE PIN PIVOT KIT <i>(QTY=2)</i>	800U-01-B	
3	TAILGATE PIN KIT <i>(3" X 1 1/4" DIA.) (QTY=2)</i>	800U-2X	
4	CHAIN <i>(5/16" X 48" LONG, GRADE 70) (EACH)</i>	800-02-03	
	<b>COMMON PARTS</b>		
<b>E</b>	<b>QUICK RELEASE MECHANISM KIT</b>	<b>800U-3X</b>	
5	QUICK RELEASE HANDLE - MOLDED	800U-07	
6	QUICK RELEASE LOCKING PIN ASSEMBLY	800U-4X	
7	QUICK RELEASE HANDLE ASSEMBLY - MOLDED	800U-5X	
8	FLANGED MOUNTED BEARING	800U-06	
9	DUMP BODY LOGO <i>(1 3/4" X 6 3/8")</i>	910-01-08	
	<b>HARDWARE KIT 800U</b>	<b>HW-800U-1</b>	
	HEX BOLT 7/16-14 UNC X 2 GRADE 5 <i>(QTY=2)</i>		
	HEX BOLT 7/16-14 UNC X 1 1/4 GRADE 5 <i>(QTY=2)</i>		
	HEX BOLT 5/8-11 UNC X 1 1/2 GRADE 5 <i>(QTY=1)</i>		
	HEX NUT 7/16-14 UNC <i>(QTY=4)</i>		
	HEX NUT 5/8-11 UNC <i>(QTY=1)</i>		
	UNHARDENED FLAT WASHER 7/16 USS <i>(QTY=8)</i>		



SMALL ROLLERS  
WEIGHT: 30 LBS ea.

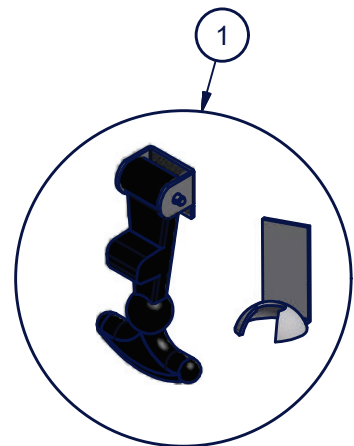
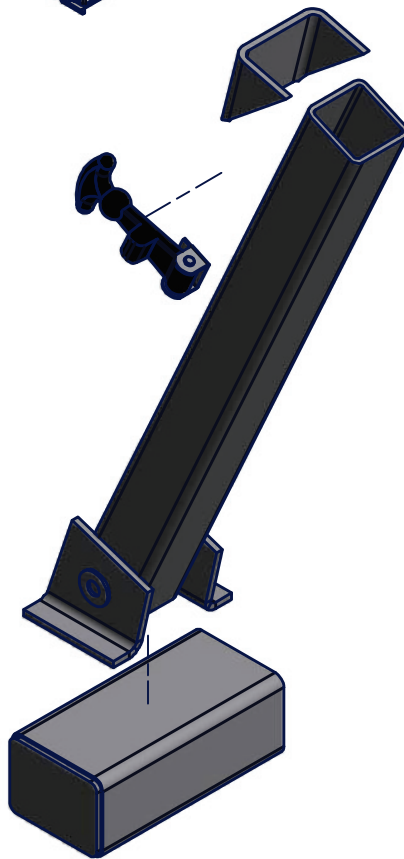


BODY PROP IN STOWED POSITION



**KIT**  
WEIGHT: 27 LB.

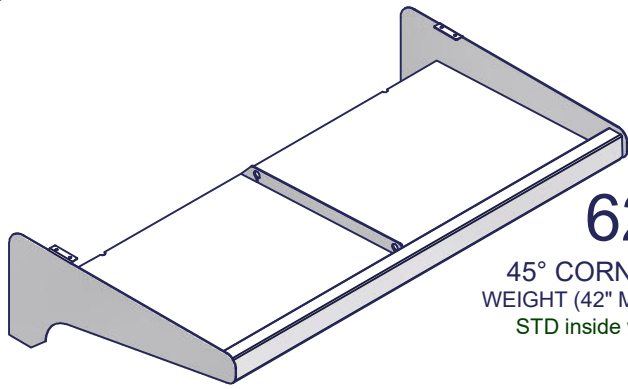
BODY PROP  
DEPLOYED





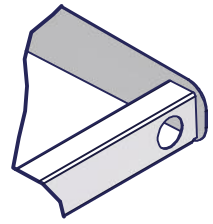


NOTE: 2 ROUND OR OVAL  
LIGHT HOLES AVAILABLE FOR  
MODELS 625 & 626

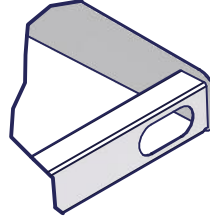


**625**

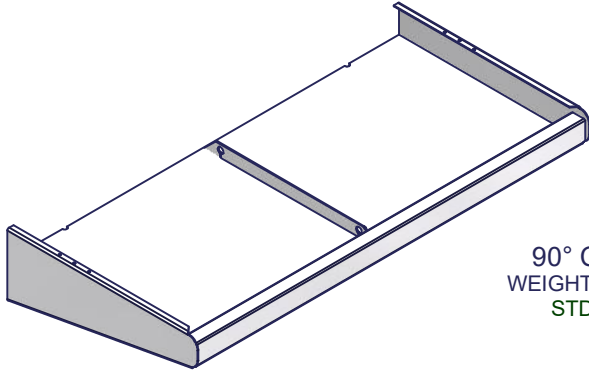
45° CORNER FRONT  
WEIGHT (42" MODEL): 310 LBS  
STD inside width = 86 3/8"



ROUND  
LIGHT HOLE

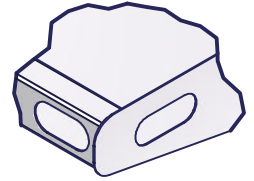


OVAL  
LIGHT HOLE

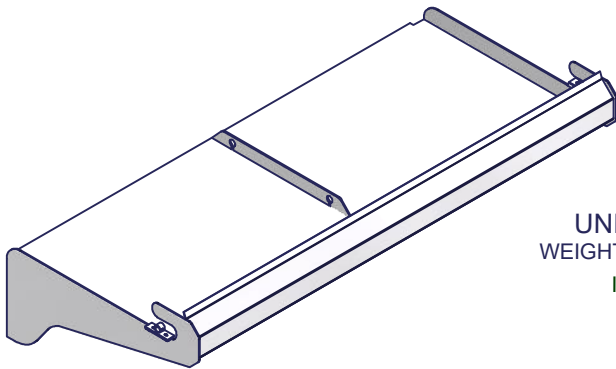


**626**

90° CORNER FRONT  
WEIGHT (42" MODEL): 285 LBS  
STD inside width = 86 3/8"

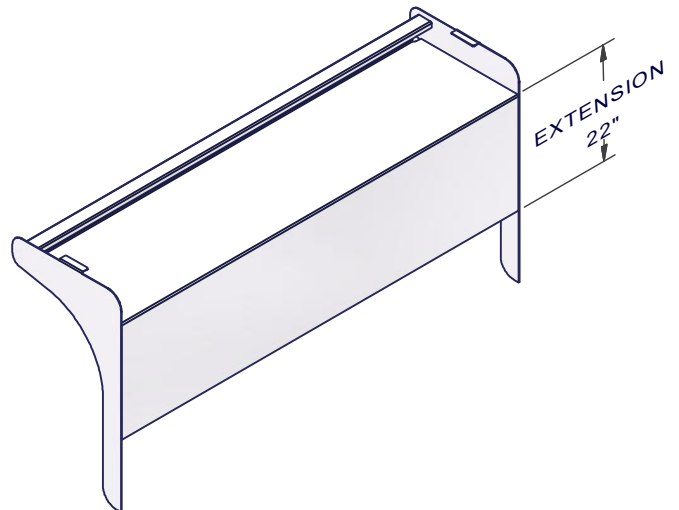
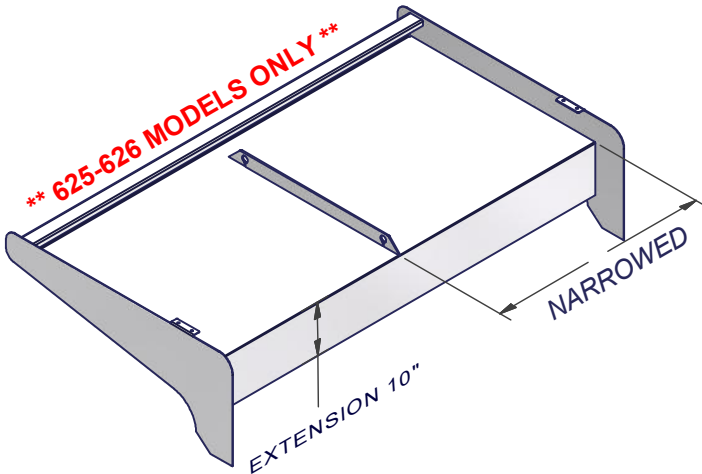
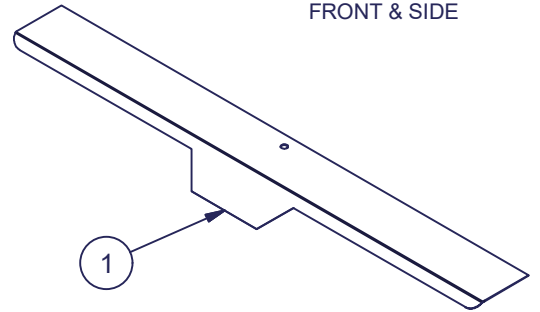


OVAL LIGHT  
FRONT & SIDE



**627**

UNIVERSAL STYLE  
WEIGHT (42" MODEL): 357 LBS  
Inside width = 92"



MAY 2018

PART:  
625-SS  
626-SS  
627-SS

TITLE:

CAB SHIELDS - STAINLESS STEEL

## PART # 625-626-627 - CAB SHIELDS - STAINLESS STEEL

**EXAMPLE:**

**MY CODE:**

1.	TYPE	DESCRIPTION	EXAMPLE:		MY CODE:	
			CODE		CODE	
	<b>625</b>	45 degree corner front	<b>625</b>			
	<b>626</b>	90 degree corner front				
	<b>627</b>	Universal style				
2.	<b>MATERIAL</b>	+	-		-	
	<b>SS1</b>	Stainless steel 201 with 2B finish	<b>SS4</b>			
	<b>SS4</b>	Stainless steel 304 with 2B finish				
3.	<b>LENGTH</b>	+	-		-	
	<b>18</b>	18" cab shield length <i>(625-626 only)</i>	<b>30</b>			
	<b>24</b>	24" cab shield length				
	<b>30</b>	30" cab shield length				
	<b>36</b>	36" cab shield length				
	<b>42</b>	42" cab shield length				
	<b>48</b>	48" cab shield length				
4.	<b>WIDTH</b>	+		-		-
	<b>S</b>	Standard width	<b>S</b>			
	<b>"X"</b>	Narrow distance <i>(width (in)) (625-626 only)</i>				
	<b>F</b>	Full width <i>(625-626 only)</i>				
5.	<b>EXTENSION</b>	+		-		-
	<b>E</b>	Extension (10")	<b>E</b>			
	<b>W</b>	Extension (22")				
	<b>S</b>	No extension				
6.	<b>ASSEMBLY</b>	+		-		-
	<b>A</b>	All assembled <i>(default)</i>	<b>A</b>			
	<b>L</b>	One end loose				
	<b>B</b>	Both ends loose				
7.	<b>LIGHT HOLES</b>	+		-		-
	<b>N</b>	No light holes	<b>N</b>			
	<b>O</b>	2 front round light holes <i>(625-626 only)</i>				
	<b>V</b>	2 front oval light holes <i>(625-626 only)</i>				
	<b>C</b>	1 oval light holes per side <i>(625-626 only)</i>				
	<b>D</b>	2 front oval & 1 side oval per side <i>(625-626 only)</i>				
	<b>F</b>	2 front round & 1 side oval per side <i>(625-626 only)</i>				
	<b>Z</b>	2 front oval, 2 front round & 1 side oval per side <i>(625-626 only)</i>				
8.	<b>INSTALLATION</b>	+		-		-
	<b>I</b>	Installed <i>(std &amp; assembled cabs only)</i>	<b>N</b>			
	<b>N</b>	Non-installed				

Legend: codes in green available for 625-626 models only

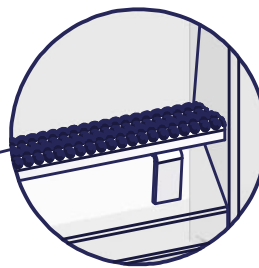
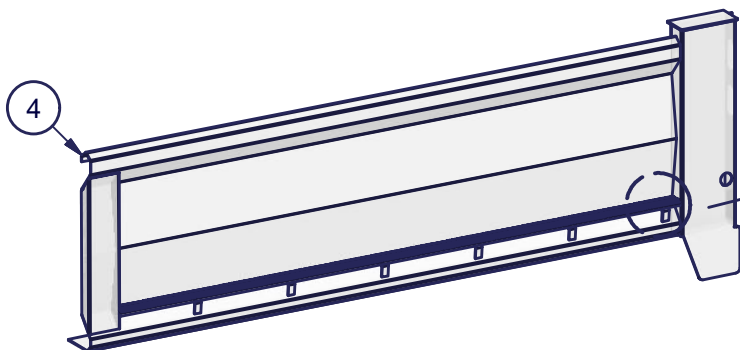
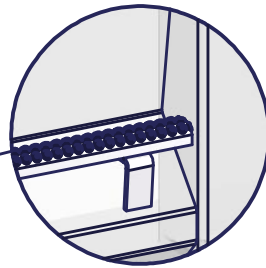
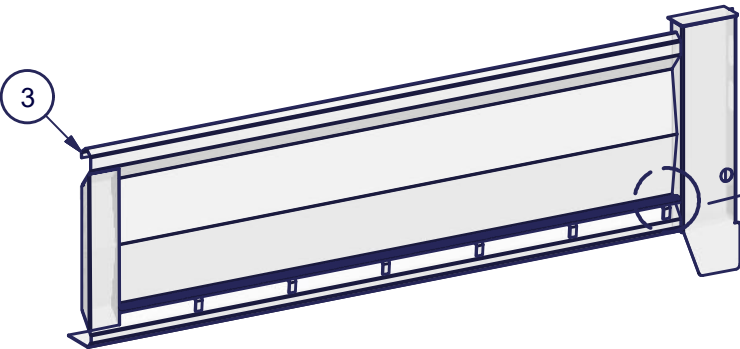
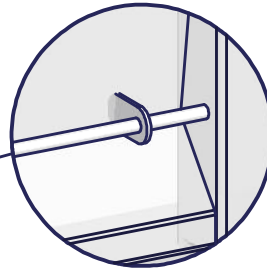
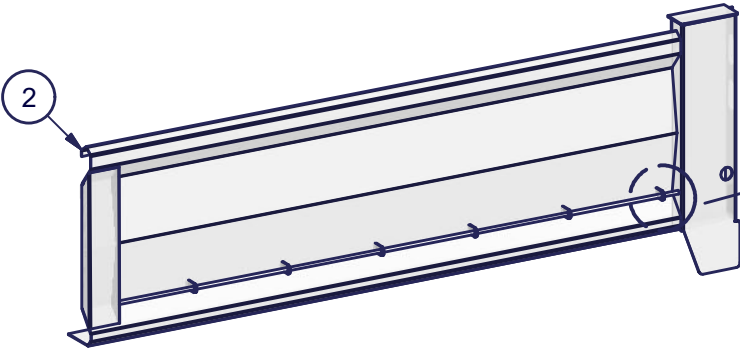
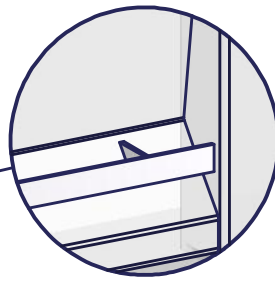
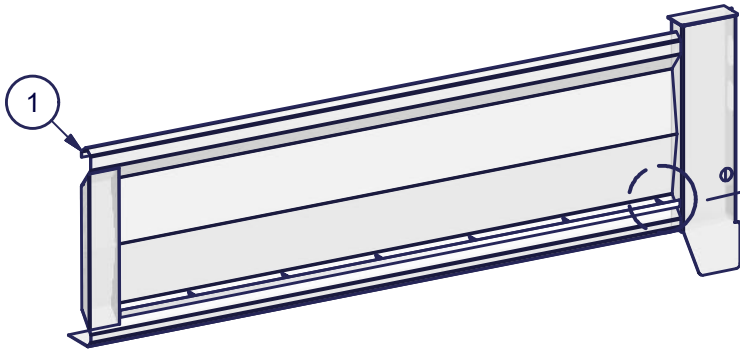
**625-SS4-30-SEA-NN**

### ACCESSORIES

ITEM	DESCRIPTION	# BEAUROC	
1	FRONT CAP STAINLESS 201 2B	150-9X-2X3-SS1	
1	FRONT CAP STAINLESS 304 2B	150-9X-2X3-SS4	

**PARTS AND ACCESSORIES**

**MAY 2018**



MAY 2018

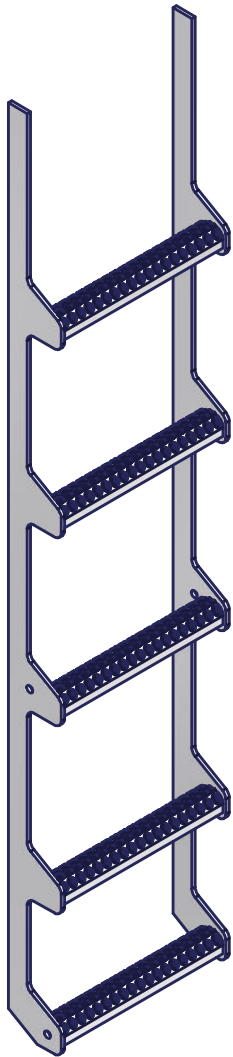
PART:

910-SS

TITLE:

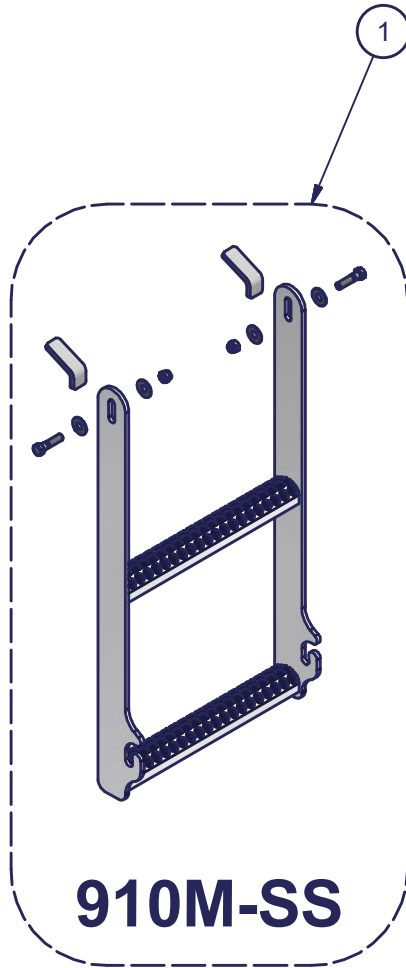
TARP RAILS - STAINLESS STEEL



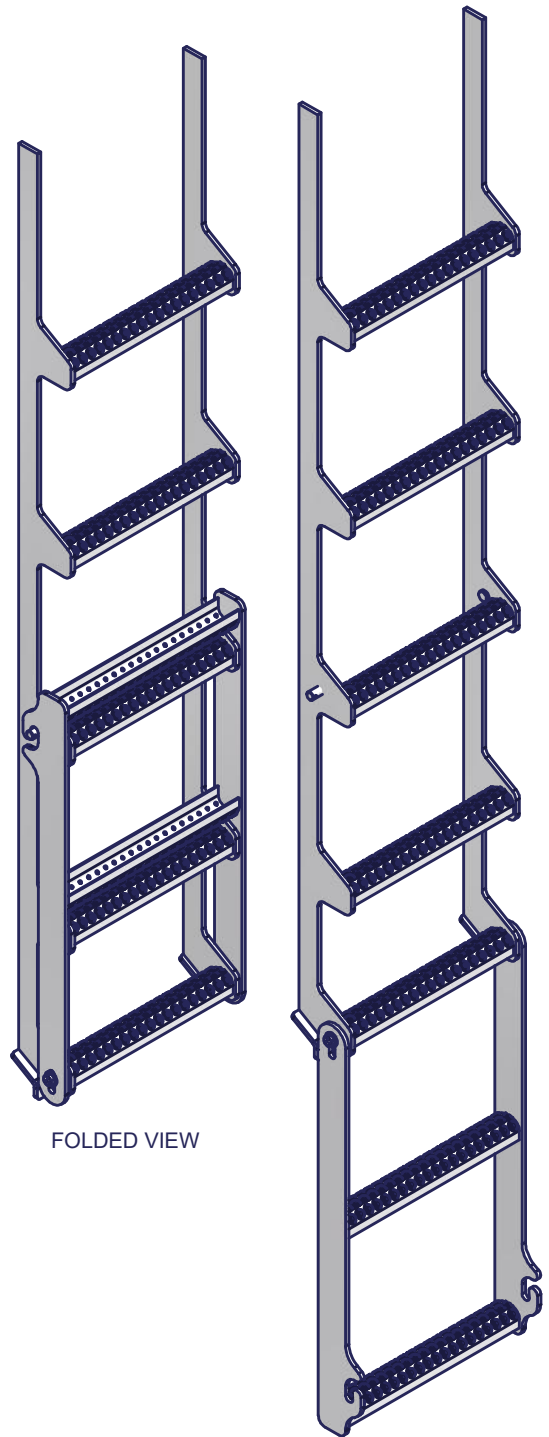


# 910F-SS

24" to 66" SIDES



# 910M-SS

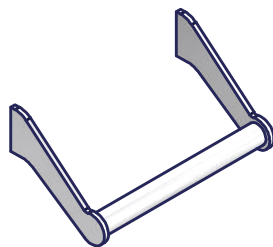


FOLDED VIEW

UNFOLDED VIEW

# 910FM-SS

24" to 66" SIDES



# 910S-SS



MAY 2018

PART:  
910F-SS  
910FM-SS  
910S-SS

TITLE:

# LADDERS - STAINLESS STEEL

## PART # 910F-910FM-910S - LADDERS - STAINLESS STEEL

DESCRIPTION					EXAMPLES:	
<b>1.</b>	<b>PART</b>	<b>TYPE CODE</b>			<b>CODE 1</b>	<b>CODE 2</b>
	<b>910</b>	<b>F</b>	<b>+ M</b>	<b>S</b>	<b>910F</b>	<b>910S</b>
<b>2.</b>	<b>HEIGHT</b>	<b>+</b>			<b>+</b>	<b>-</b>
	24" side	<b>24-30</b> <i>(3 steps)</i>	<b>HINGED SECTION</b> <i>(adds 2 steps)</i>	<b>2</b>	<b>48-54</b>	<b>6</b>
	30" side			<b>3</b>		
	36" side	<b>36-42</b> <i>(4 steps)</i>		<b>5</b>		
	42" side			<b>6</b>		
	48" side	<b>48-54</b> <i>(5 steps)</i>		<b>7</b>		
	54" side					
	60" side	<b>60-66</b> <i>(6 steps)</i>				
	66" side					
<b>3.</b>	<b>INSTALLATION</b>	<b>+</b>				
	Installed	<b>I</b>			<b>I</b>	<b>N</b>
	Non-installed	<b>N</b>			<b>-</b>	<b>-</b>
<b>4.</b>	<b>MATERIAL</b>	<b>+</b>			<b>-</b>	<b>-</b>
	Stainless steel	<b>SS</b>			<b>SS</b>	<b>SS</b>
					<i>910F-48-54-I-SS</i>	<i>910S-6-N-SS</i>

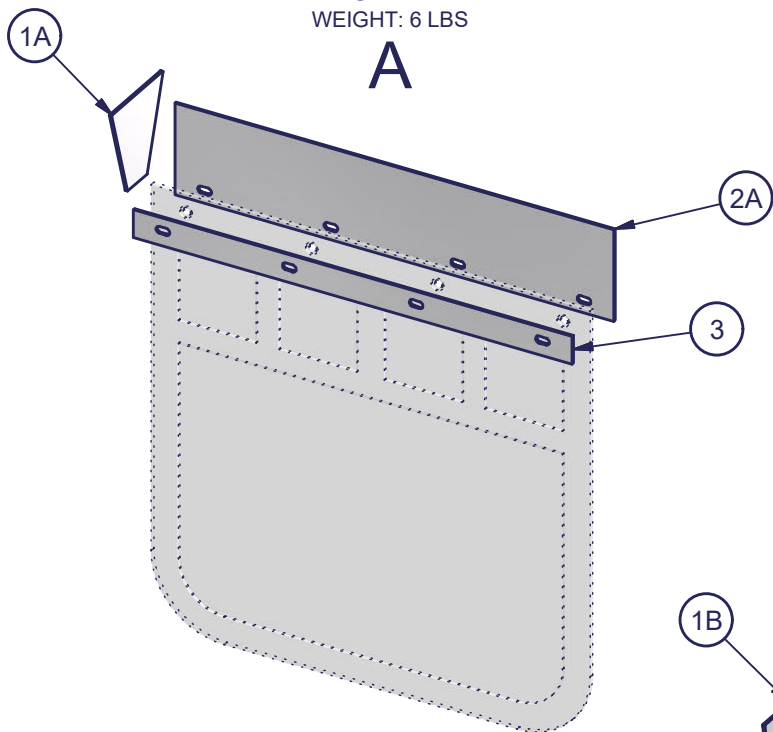
**Note: we do not install any extra ladders due to shipping restrictions.**

### ACCESSORIES

1	MOBILE STEPS AND MOUNTING HARDWARE	910M-SS

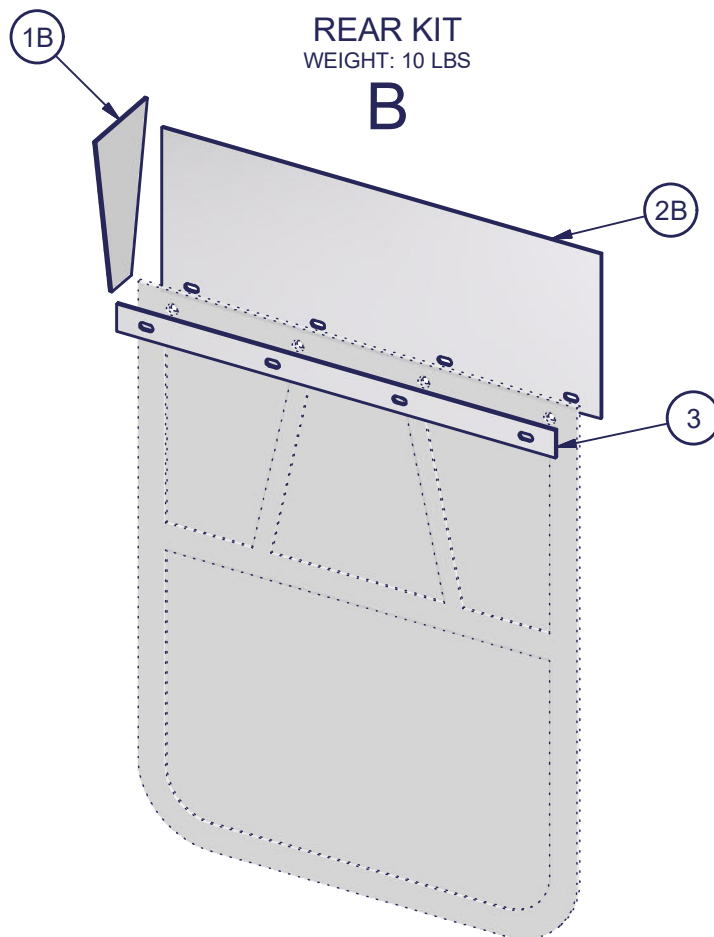
FRONT KIT  
WEIGHT: 6 LBS

**A**



REAR KIT  
WEIGHT: 10 LBS

**B**



MAY 2018

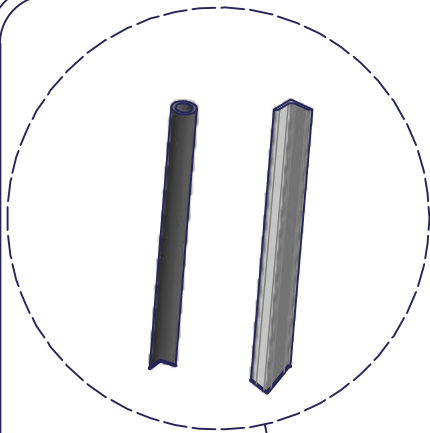
PART:

**160-SS**

TITLE:

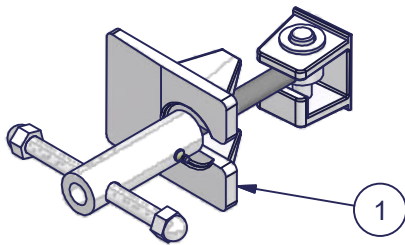
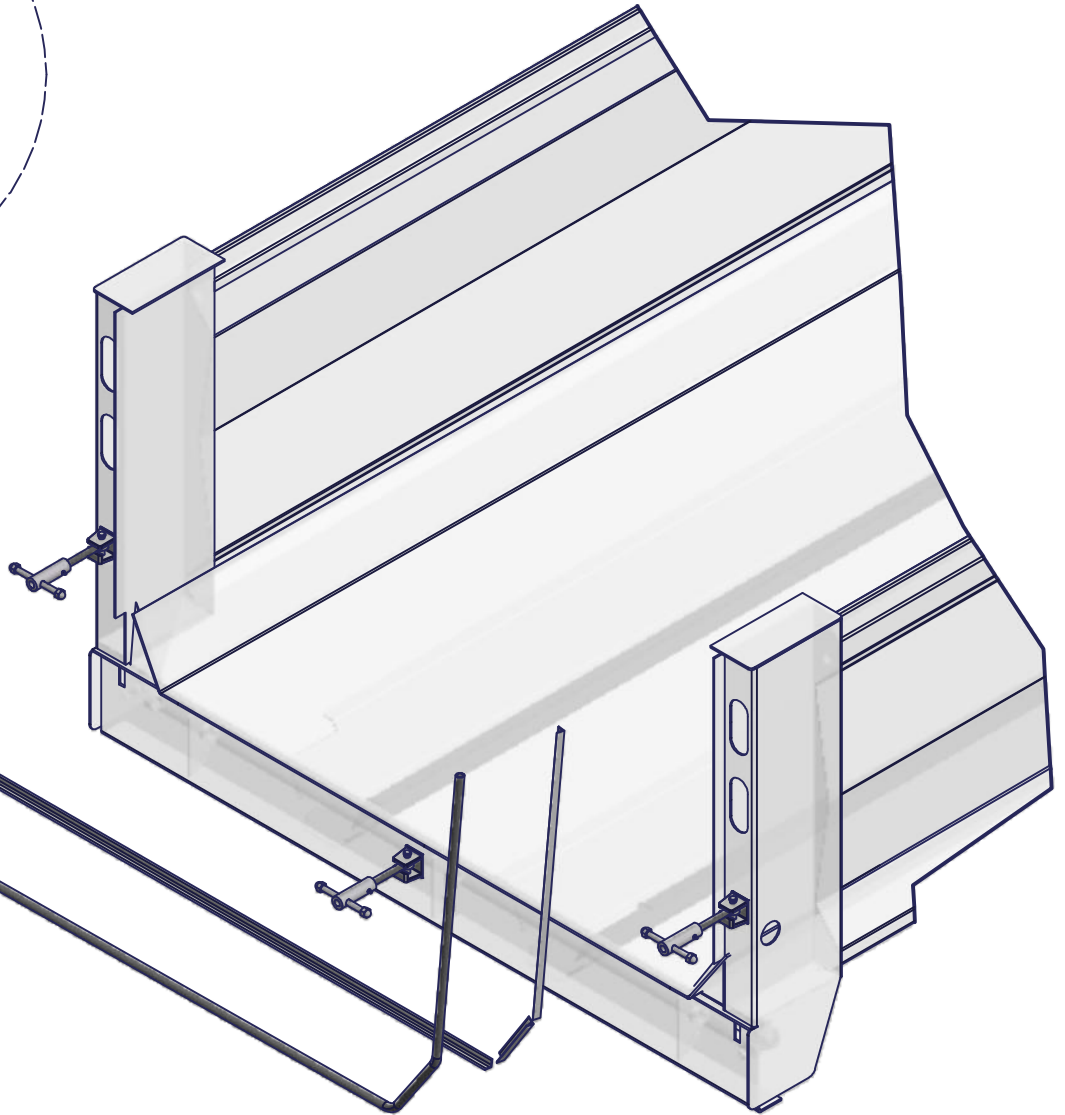
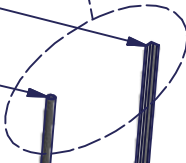
**MUD FLAP BRACKET KITS  
STAINLESS STEEL**





2

3



1

WEIGHT:  
8.2 LBS EACH

**NOTE: DIAMOND MODEL TAILGATES MUST BE MADE TO BE 1" WIDER WITH WATER TIGHT SYSTEM INSTALLATIONS.**



MAY 2018

PART:

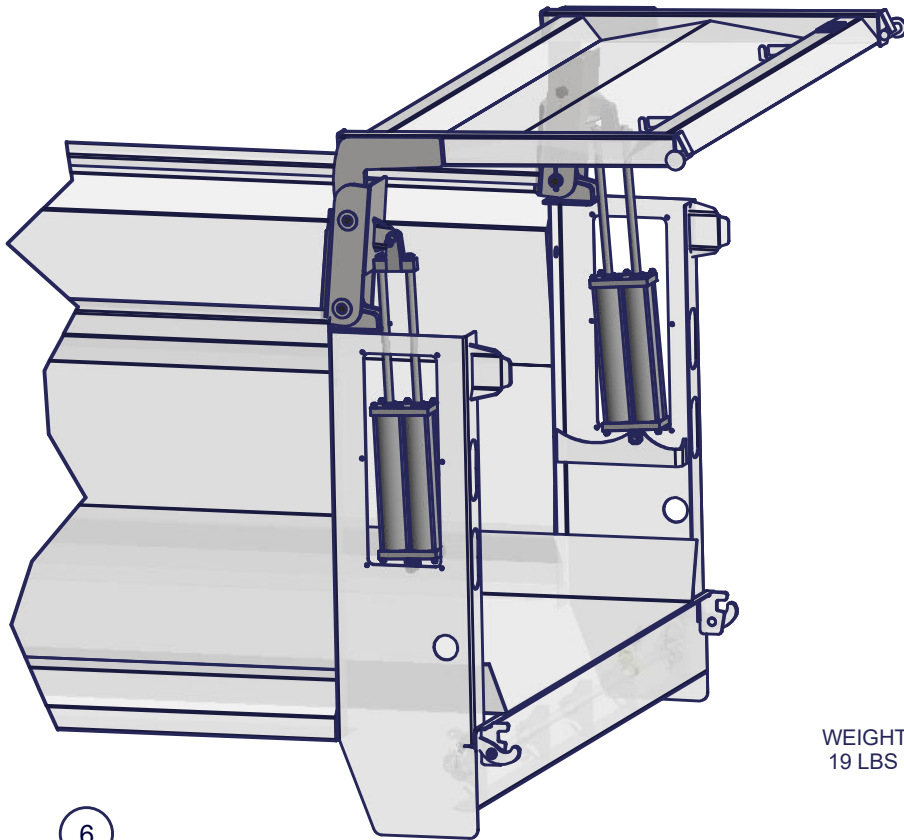
**808-SS**

TITLE:

**WATER TIGHT TAILGATE KIT  
STAINLESS STEEL**

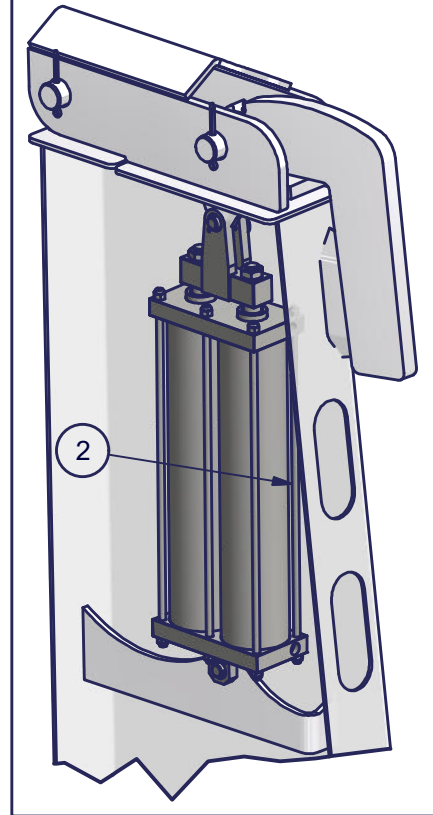
DRAWING REVISED : 04/06/2018





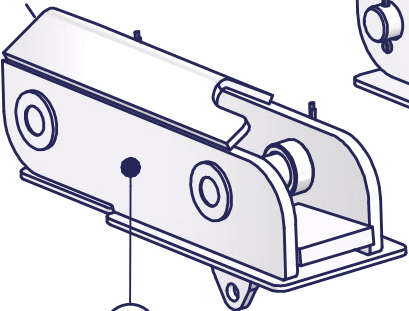
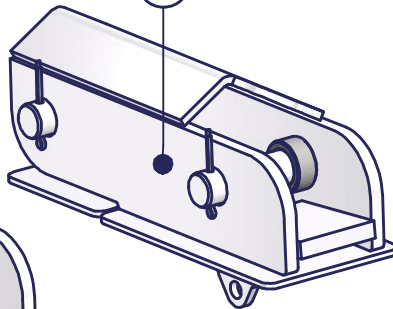
WEIGHT:  
19 LBS

**A COMPLETE KIT**  
(HELPER SIDE SHOWN)  
WEIGHT: 232 LBS



QTY: 6

1B WEIGHT: 68 LBS



1A WEIGHT: 68 LBS

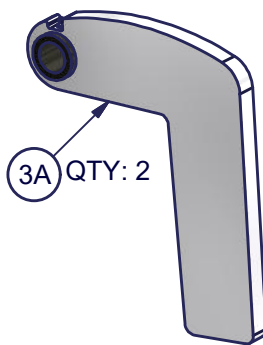
8

**WARNING**

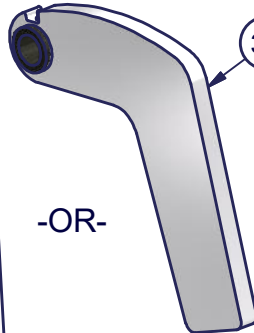
NEVER STAND UNDERNEATH TAILGATE IT MAY FALL WITHOUT NOTICE

NE JAMAIS ALLER SOUS UNE PORTE SOULEVEE, ELLE POURRAIT TOMBER SOUDAINEMENT

QTY: 2



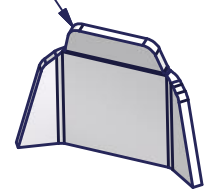
3A QTY: 2



3B

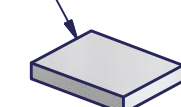
-OR-  
WEIGHT: 26 LBS

5 QTY: 2

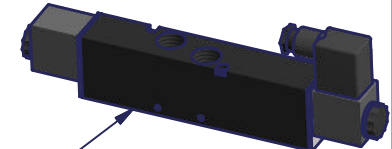


WEIGHT: 3 LBS

4 QTY: 2



WEIGHT: 4 LBS



7 VALVE SOLD SEPERATELY

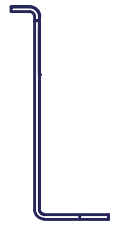


PART:  
**811F-SS**

TITLE:  
**INTERNAL AIR HIGH LIFT STAINLESS STEEL**



STYLE



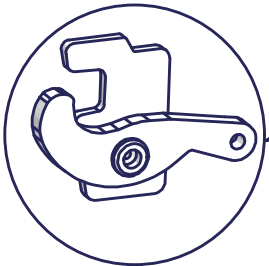
A) MUNICIPAL

**CAUTION**

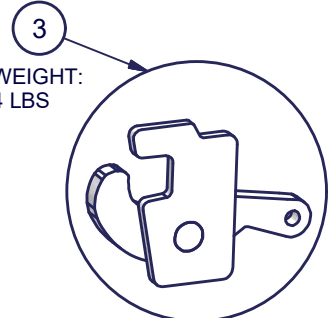
TAILGATE MUST BE CLOSED & LOCKED BEFORE TOP LATCHES ARE RELEASED

LA PORTE DOIT ÊTRE FERMÉE ET BARRÉE AVANT DE L'ABAISSER EN RETIRANT LES TIGES DE PIVOT SUPÉRIEURES

COMPUERTA TRASERA TIENE QUE ESTAR CERRADA CON CERROJINA DE ABajo ANTES DE REMOVER CIERRES Y GANCHOS DE ARRIBA



2  
WEIGHT:  
4 LBS



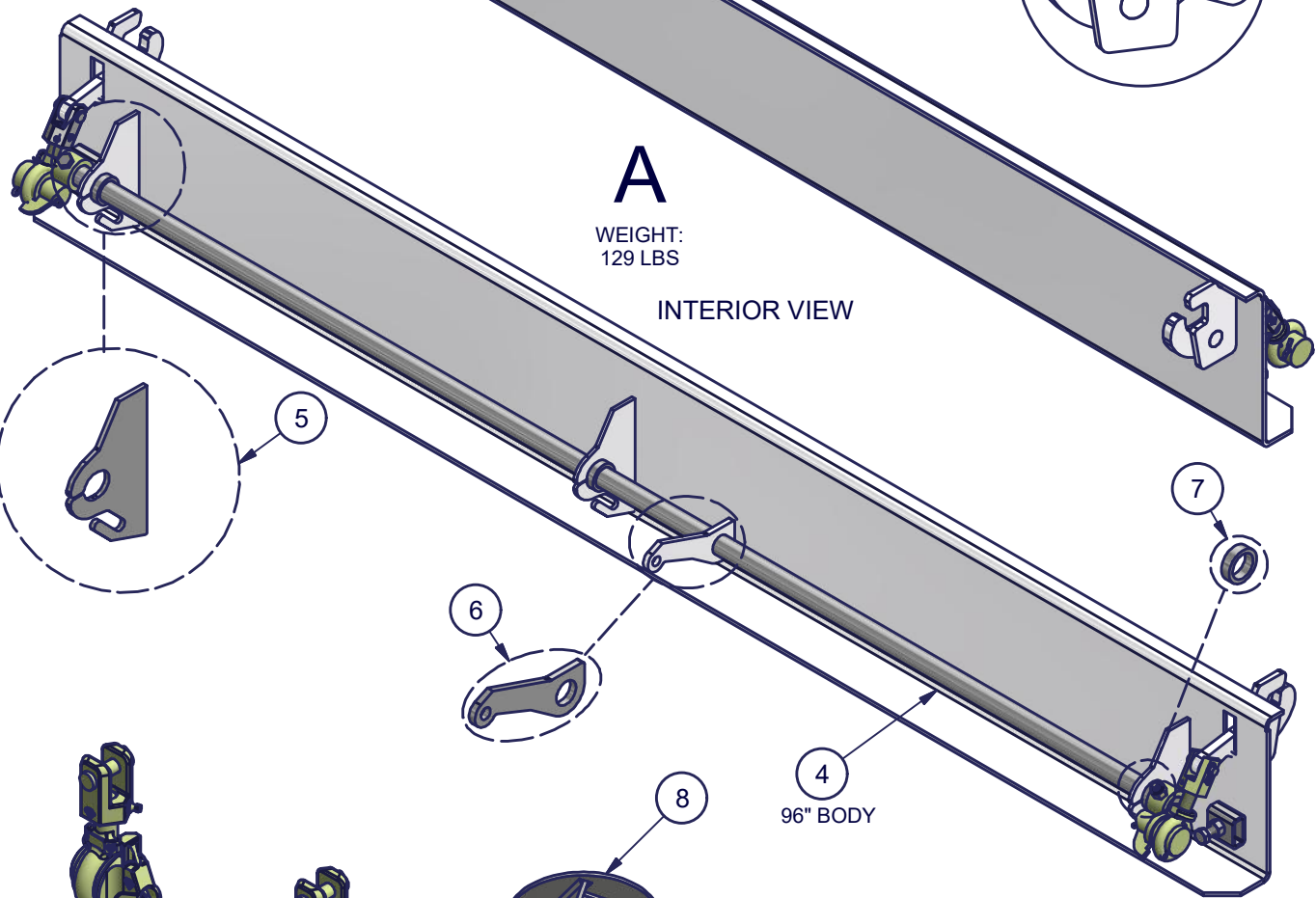
3  
WEIGHT:  
4 LBS

EXTERIOR VIEW

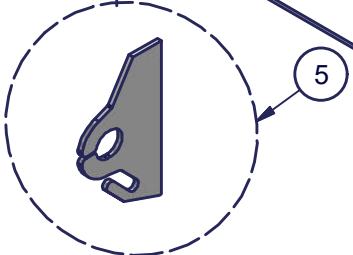
**A**

WEIGHT:  
129 LBS

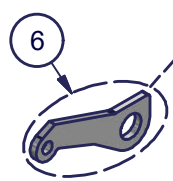
INTERIOR VIEW



4  
96" BODY



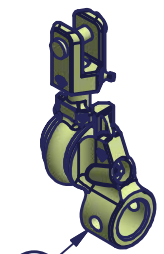
5



6

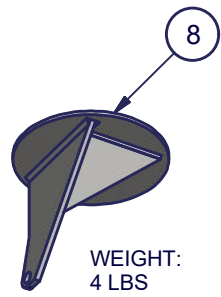
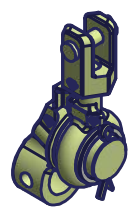


7



1

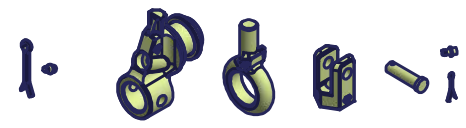
WEIGHT:  
4 LBS



8

WEIGHT:  
4 LBS

NOT INCLUDED  
IN BOLSTER KIT



ZINC CHROMATED  
PARTS



MAY 2018

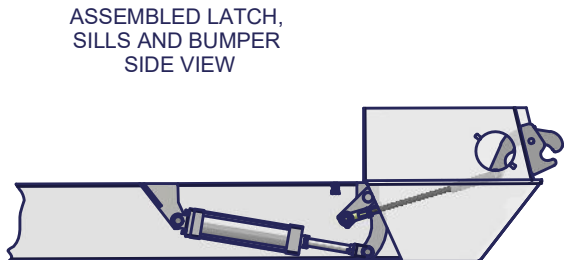
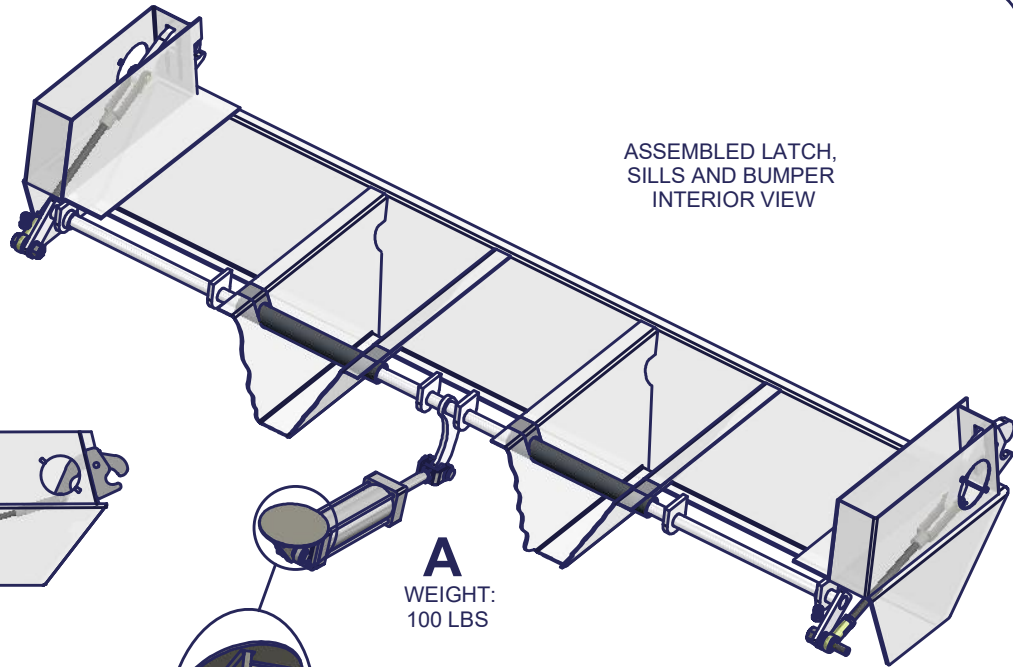
PART:

**708-SS**

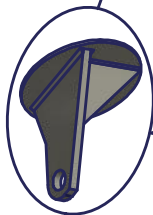
TITLE:

**DOUBLE ACTING LATCH BOLSTER KIT  
STAINLESS STEEL**

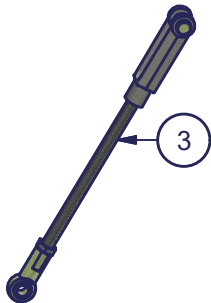
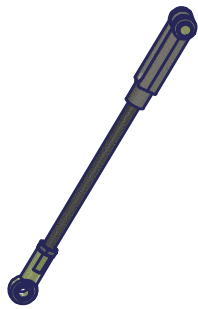




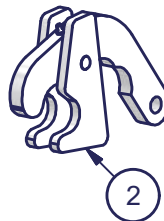
**A**  
WEIGHT:  
100 LBS



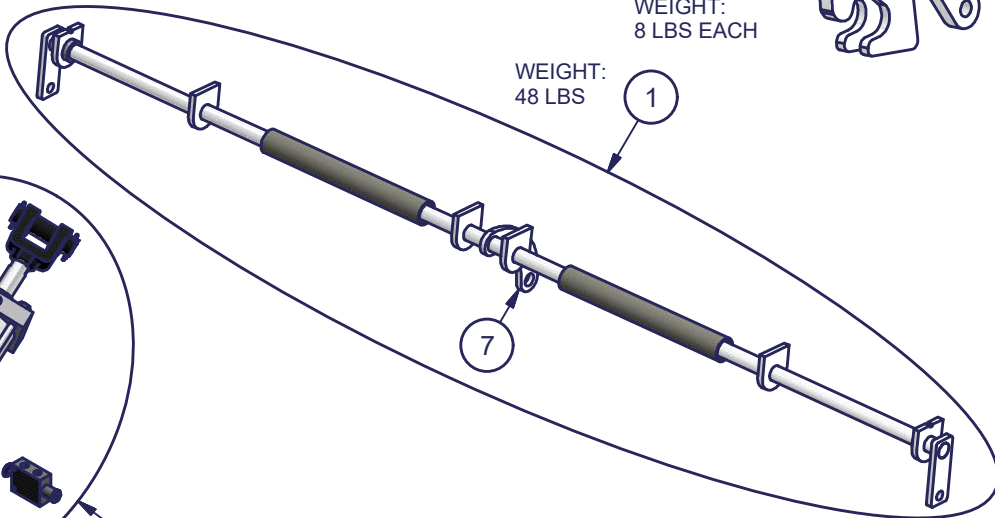
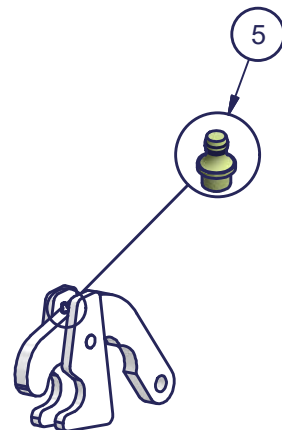
**6** WEIGHT:  
5LB



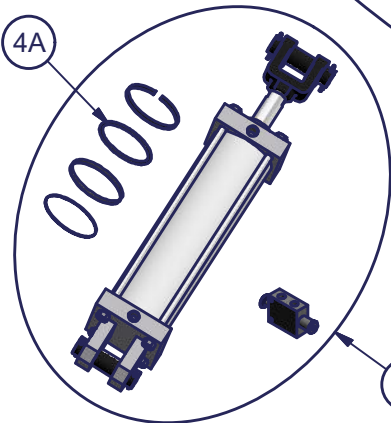
**3**  
WEIGHT:  
2 LBS EACH



**2**  
WEIGHT:  
8 LBS EACH



**1**  
WEIGHT:  
48 LBS



**4** WEIGHT:  
17 LBS



MAY 2018

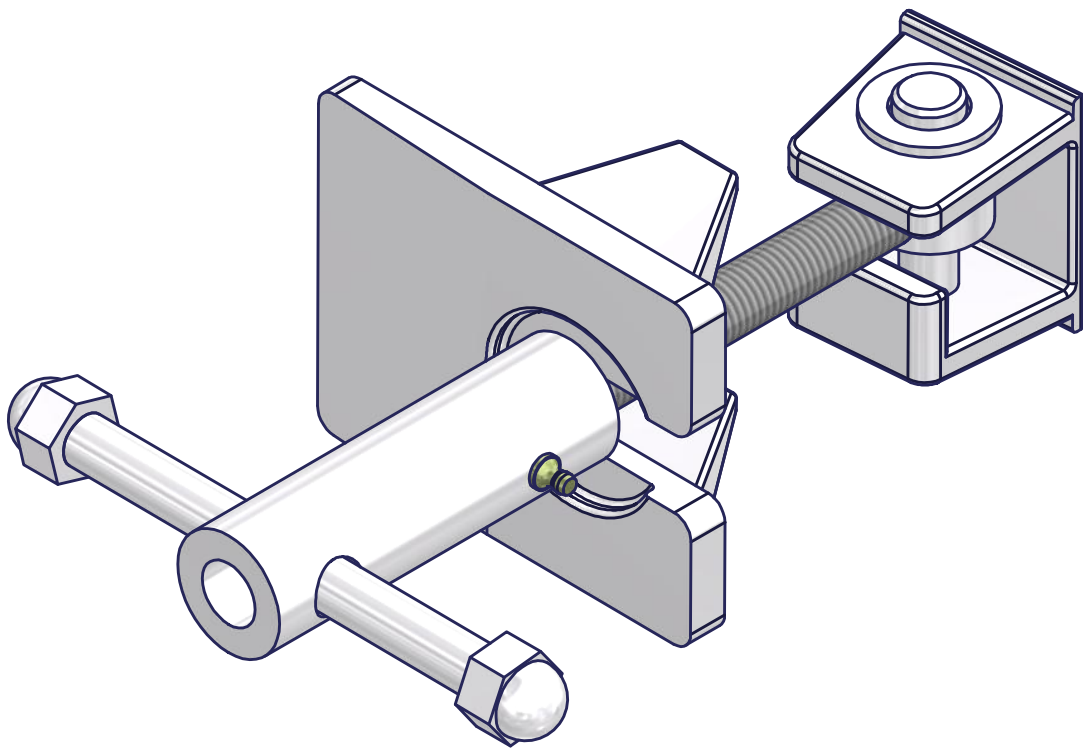
PART:

**710A-SS**

TITLE:

**ASPHALT TAIL BOLSTER KIT  
STAINLESS STEEL**





WEIGHT: 8.2 LBS EACH

**A**



MAY 2018

PART:

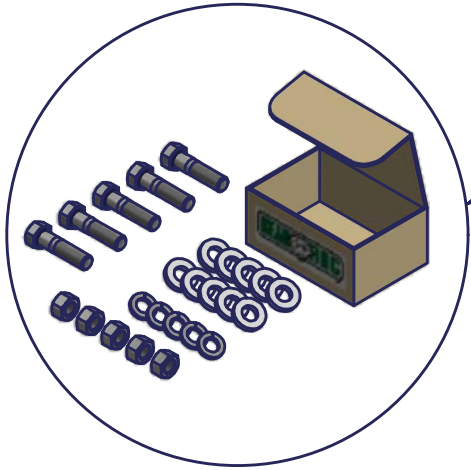
**273-SS**

TITLE:

**TAILGATE SAFETY LOCK KITS  
STAINLESS STEEL**

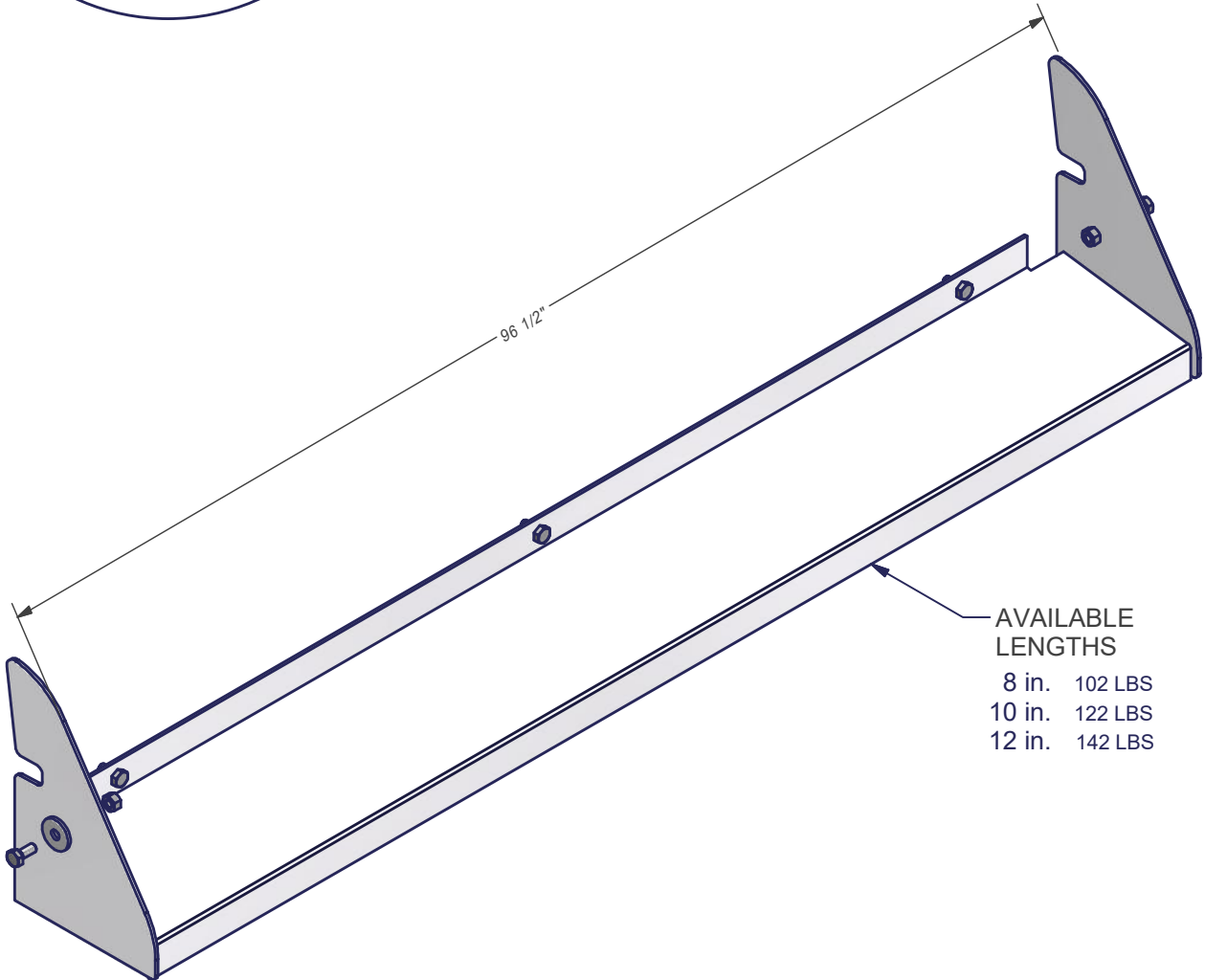
DRAWING REVISED : 04/06/2018





1

WEIGHT: 1 1/2 LB



AVAILABLE LENGTHS

- 8 in. 102 LBS
- 10 in. 122 LBS
- 12 in. 142 LBS

MUNICIPAL STYLE  
BOLSTER  
**A-B**



MAY 2018

PART:

**280-SS**

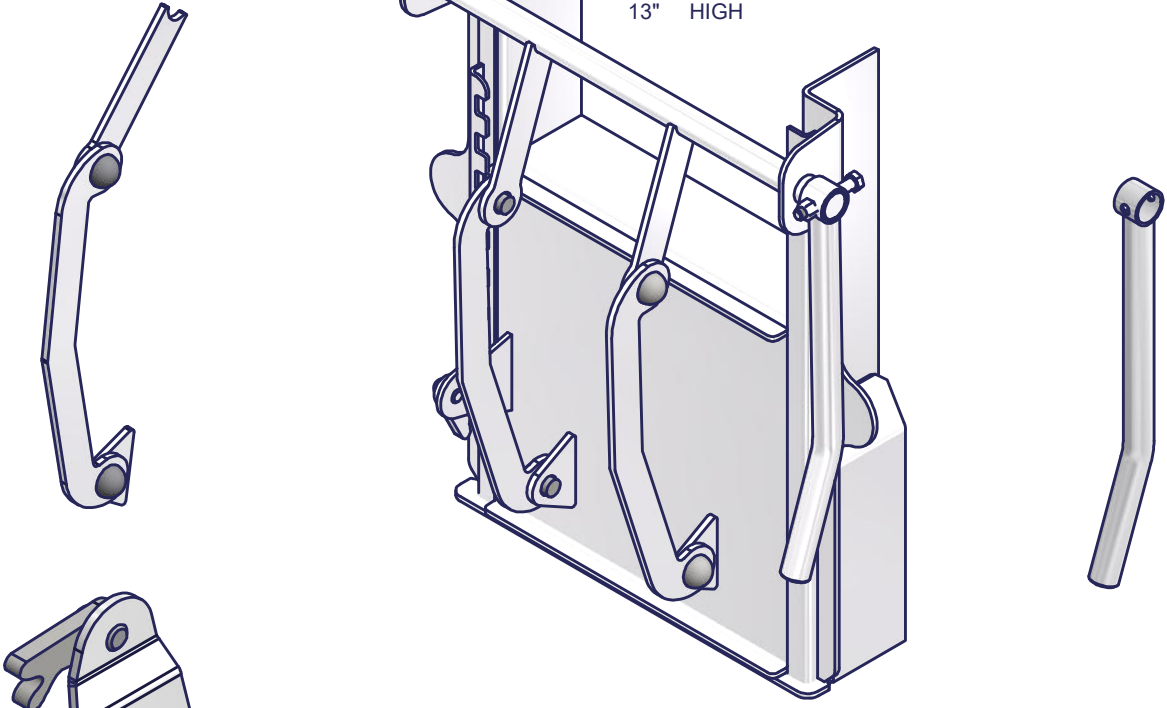
TITLE:

**ASPHALT APRON - STAINLESS  
STEEL**



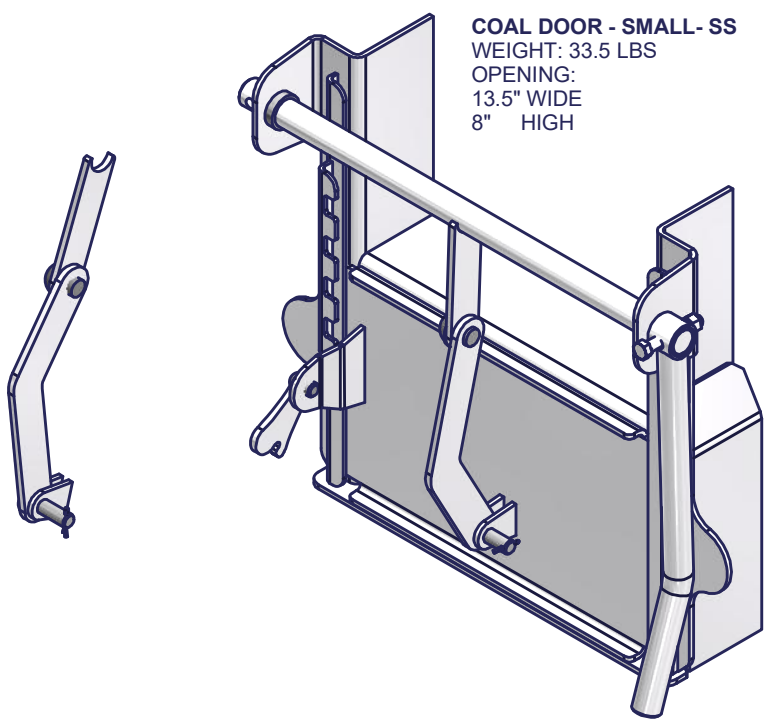
**A**

**COAL DOOR - STANDARD-SS**  
WEIGHT: 49.5 LBS  
OPENING:  
13.5" WIDE  
13" HIGH



**B**

**COAL DOOR - SMALL- SS**  
WEIGHT: 33.5 LBS  
OPENING:  
13.5" WIDE  
8" HIGH



MAY 2018

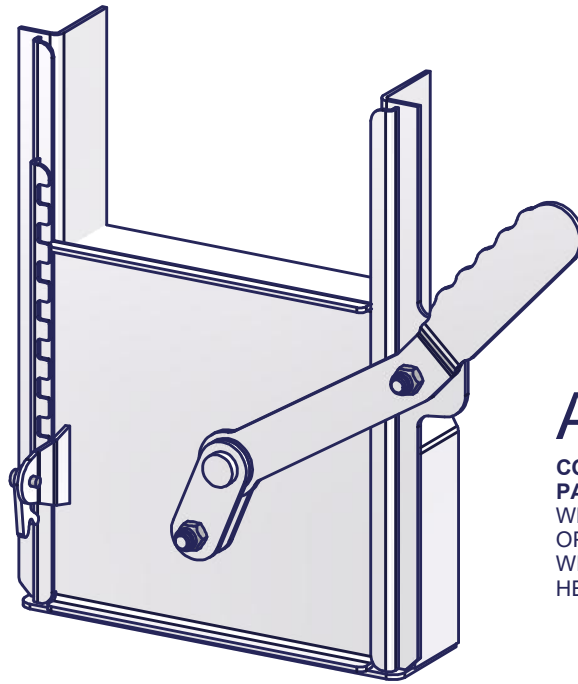
PART:

**801-SS**

TITLE:

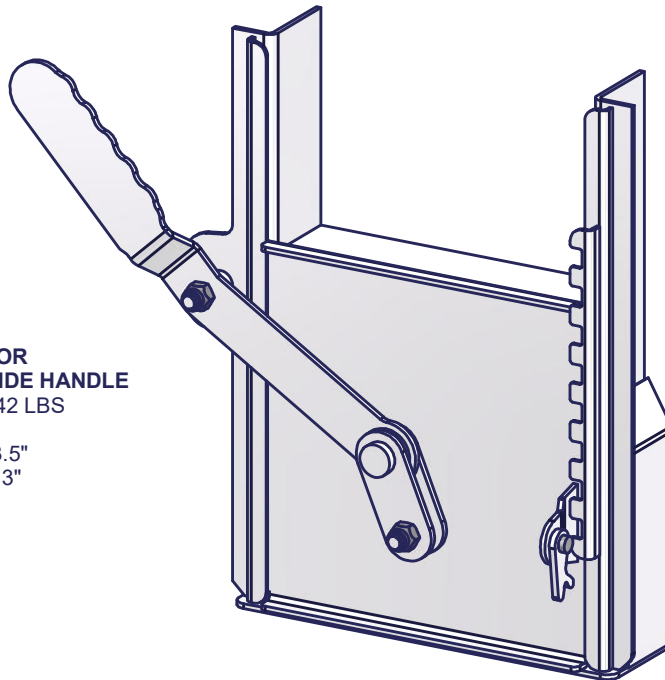
**COAL DOOR STANDARD AND SMALL  
MODELS - STAINLESS STEEL**





**A**

**COAL DOOR  
PASSENGER SIDE HANDLE**  
WEIGHT: 42 LB  
OPENING:  
WIDTH: 13.5"  
HEIGHT: 13"



**B**

**COAL DOOR  
DRIVER SIDE HANDLE**  
WEIGHT: 42 LBS  
OPENING:  
WIDTH: 13.5"  
HEIGHT: 13"



MAY 2018

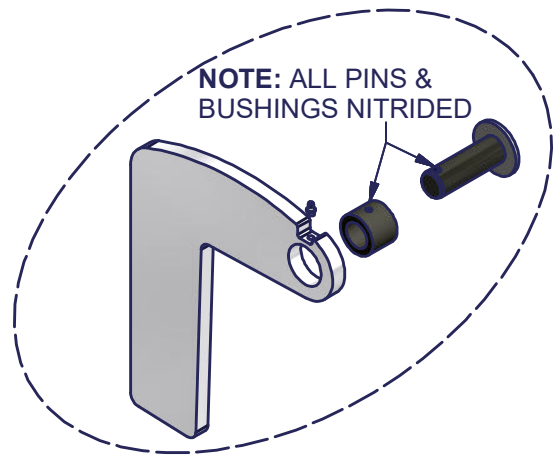
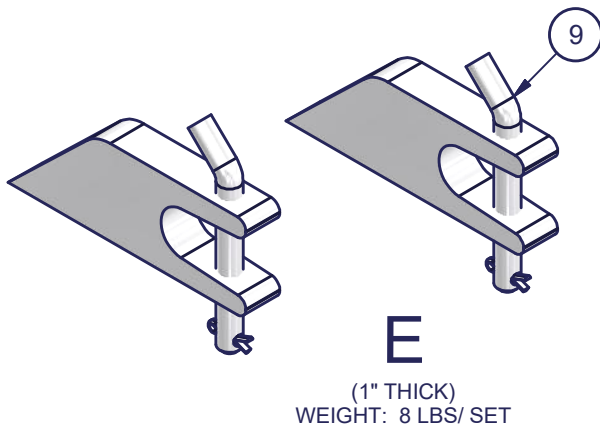
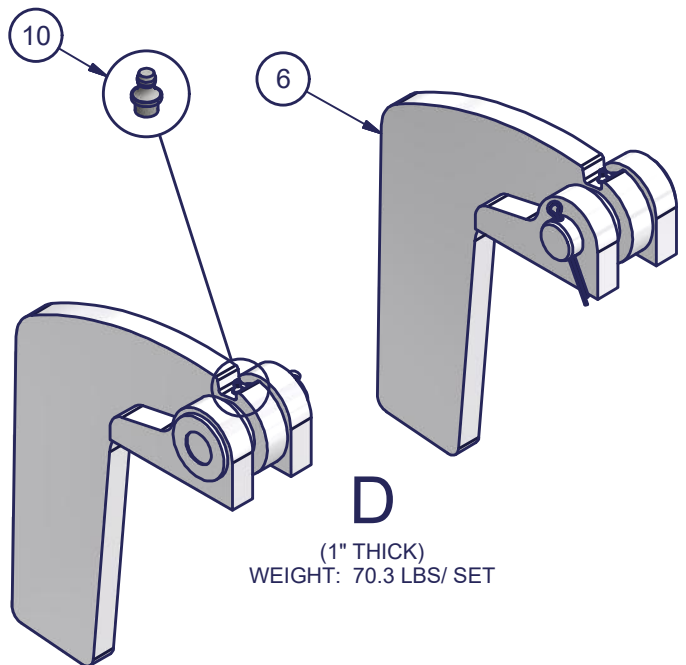
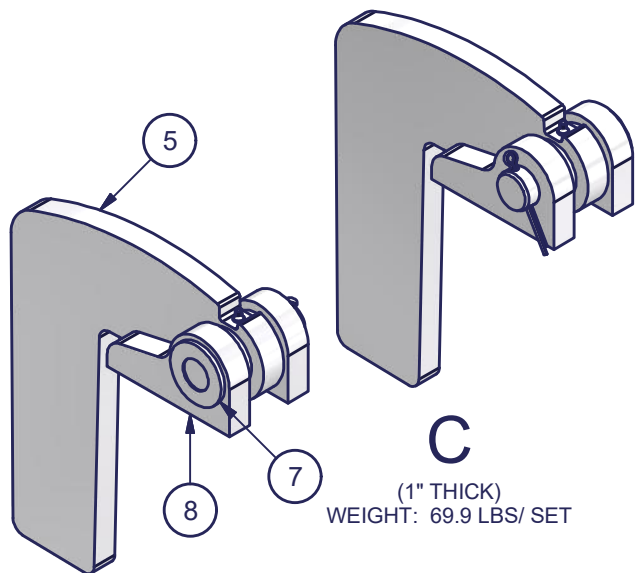
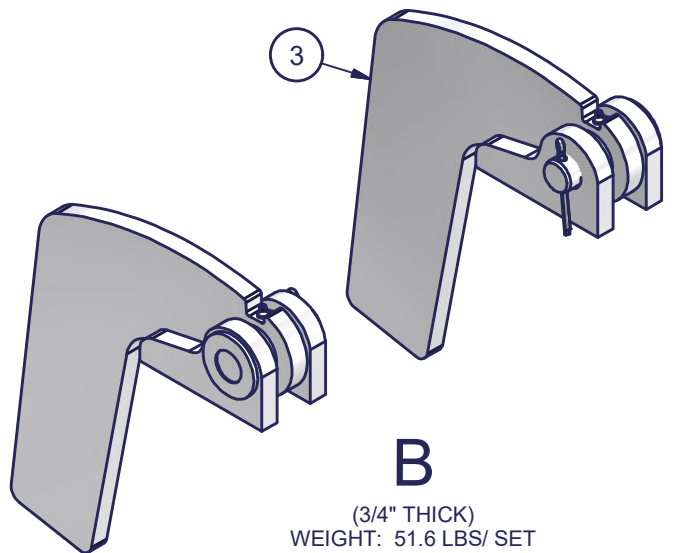
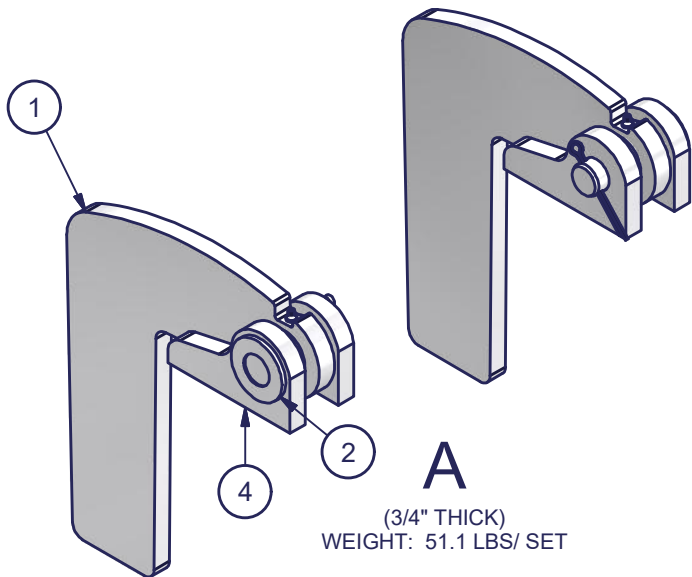
PART:

**802-SS**

TITLE:

**COAL DOOR SIDE HANDLE MODEL  
STAINLESS STEEL**



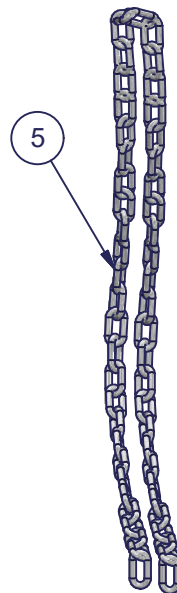
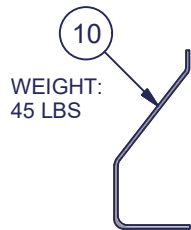
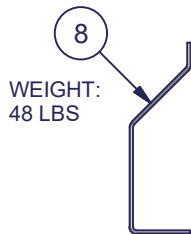
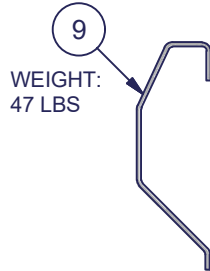
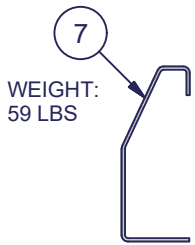
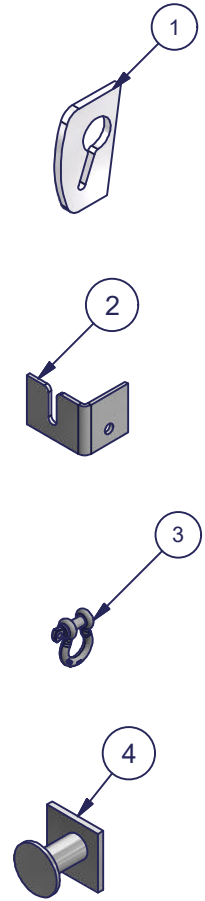
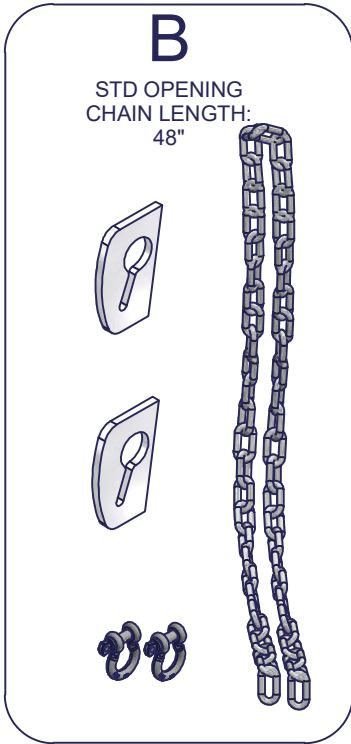
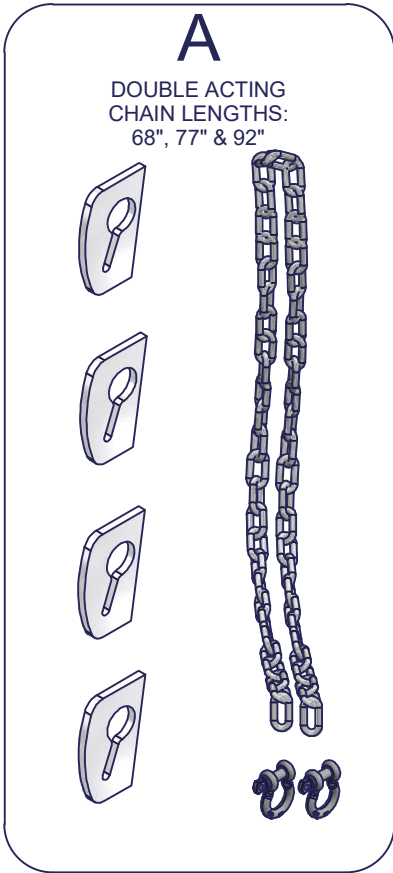


## PART # 805 - UPPER TAILGATE HINGE KITS - STAINLESS STEEL

ITEM	DESCRIPTION	# BEAU-ROC	
<b>A</b>	<b>STAINLESS STEEL TAILGATE HINGE KIT (3/4" THICK)</b>	<b>805-1X-SS</b>	
1	STAINLESS STEEL STANDARD MOBILE HINGE (3/4" THICK) (EACH)	805-01-3X-SS	
<b>B</b>	<b>STAINLESS STEEL SLANTED TAILGATE HINGE KIT (3/4" THICK)</b>	<b>805-2X-SS</b>	
3	STAINLESS STEEL SLANTED MOBILE HINGE (3/4" THICK) (EACH)	805-02-3X-SS	
	<b>COMMON PARTS (A &amp; B)</b>		
2	STAINLESS STEEL STANDARD PIN (1 1/4" X 3 3/4" DIA.) (EACH)	805-01-2S-SS	
4	STANDARD STAINLESS STEEL FIXED HINGE (3/4" THICK) (EACH)	805-01-01-SS	
<b>C</b>	<b>EXTRA STRONG STAINLESS STEEL TAILGATE HINGE KIT (1" THICK)</b>	<b>805-3X-SS</b>	
5	EXTRA STRONG STAINLESS STEEL STRAIGHT MOBILE HINGE (1" THICK) (EACH)	805-03-3X-SS	
<b>D</b>	<b>STAINLESS STEEL SLANTED TAILGATE HINGE KIT (1" THICK)</b>	<b>805-5X-SS</b>	
6	EXTRA STRONG STAINLESS STEEL SLANTED MOBILE HINGE (1" THICK) (EACH)	805-05-3X-SS	
	<b>COMMON PARTS (C &amp; D)</b>		
7	STAINLESS STEEL STANDARD PIN (1 1/2" X 4 1/2" DIA.) (EACH)	805-03-2S-SS	
8	STAINLESS STEEL STANDARD FIXED HINGE (1" THICK) (EACH)	805-03-01-SS	
<b>E</b>	<b>FLUSH MOUNT TAILGATE HINGE KIT STAINLESS STEEL (1" THICK)</b>	<b>805-8X-SS</b>	
9	FLUSH MOUNT LOCK PIN STAINLESS STEEL	805-08-01-SS	
	<b>COMMON PARTS</b>		
10	GREASE FITTING 5/16" DRIVE TYPE	GF-3125-DT	
	<b>NOTE: Slanted hinges installed on asphalt tail bodies</b>		

**PARTS AND ACCESSORIES**

**MAY 2018**



PART:  
**800-SS**

TITLE:  
**TAILGATE PARTS &  
ACCESORIES STAINLESS STEEL**



## PART # 800-SS - TAILGATE PARTS & ACCESSORIES - STAINLESS STEEL

ITEM	DESCRIPTION	# BEAU-ROC	
<b>A</b>	<b>SS CHAIN KIT FOR 30" TO 36" DOUBLE ACTING TAILGATE</b> <i>(2X 68" SS CHAINS, 4X 3/8" SS BANJOS &amp; 2 SHACKLES)</i>	<b>800-01-14X-SS</b>	
	<b>SS CHAIN KIT FOR 42" DOUBLE ACTING TAILGATE</b> <i>(2X 77" SS CHAINS, 4X 3/8" SS BANJOS &amp; 2 SHACKLES)</i>	<b>800-01-16X-SS</b>	
	<b>SS CHAIN KIT FOR 48" TO 54" DOUBLE ACTING TAILGATE</b> <i>(2X 92" SS CHAINS, 4X 3/8" SS BANJOS &amp; 2 SHACKLES)</i>	<b>800-01-17X-SS</b>	
<b>B</b>	<b>SS CHAIN KIT FOR STANDARD OPENING TAILGATE</b> <i>(2X 48" SS CHAINS, 2X 3/8" SS BANJOS &amp; 2 SHACKLES)</i>	<b>800-01-06X-SS</b>	
1	3/8" STAINLESS STEEL CHAIN BANJO <i>(EACH)</i>	800-02-07-SS	
2	STAINLESS STEEL CHAIN KEEPER KIT <i>(1 LEFT AND 1 RIGHT)</i>	800-02-06X-SS	
3	ZINC CHROMATED CHAIN SHACKLES <i>(3/8" 2 TON RATING)</i>	800-02-08	
4	SS TAILGATE PIN <i>(2 1/4" LONG) (DOUBLE ACTING &amp; ASPHALT) (EACH)</i>	800-2X-SS	
<b>5</b>	<b>STAINLESS STEEL CHAIN (3/8", GRADE 70)</b>		
	48" LENGTH <i>(STANDARD OPENING TAILGATE) (EACH)</i>	800-02-048-SS	
	68" LENGTH <i>(DOUBLE ACTING TAILGATE 30" TO 36" HEIGHT) (EACH)</i>	800-02-068-SS	
	77" LENGTH <i>(DOUBLE ACTING TAILGATE 42" HEIGHT) (EACH)</i>	800-02-077-SS	
	92" LENGTH <i>(DOUBLE ACTING TAILGATE 48" TO 54" HEIGHT) (EACH)</i>	800-02-092-SS	
6	TAILGATE WARNING LABEL <i>(GENERAL)</i>	1003-800-01	
7	DIRT SHEDDING TOP BRACE <i>(SS201) (TRADITIONAL TAILGATE) *</i>	800-03-T96-SS1	
	DIRT SHEDDING TOP BRACE <i>(SS304) (TRADITIONAL TAILGATE) *</i>	800-03-T96-SS4	
8	DIRT SHEDDING BOTTOM BRACE <i>(SS201) (TRADITIONAL TAILGATE) *</i>	800-03-B96-SS1	
	DIRT SHEDDING BOTTOM BRACE <i>(SS304) (TRADITIONAL TAILGATE) *</i>	800-03-B96-SS4	
9	DIRT SHEDDING TOP BRACE <i>(SS201) (DIAMOND TAILGATE) *</i>	800A-03-T96-SS1	
	DIRT SHEDDING TOP BRACE <i>(SS304) (DIAMOND TAILGATE) *</i>	800A-03-T96-SS4	
10	DIRT SHEDDING BOTTOM BRACE <i>(SS201) (DIAMOND TAILGATE) *</i>	800-03-B96-SS1	
	DIRT SHEDDING BOTTOM BRACE <i>(SS30401) (DIAMOND TAILGATE) *</i>	800-03-B96-SS4	
	<b>NOTE: For parts marked with an asterisk (*), supply body s/n when ordering</b>		

**PARTS AND ACCESSORIES**

**MAY 2018**